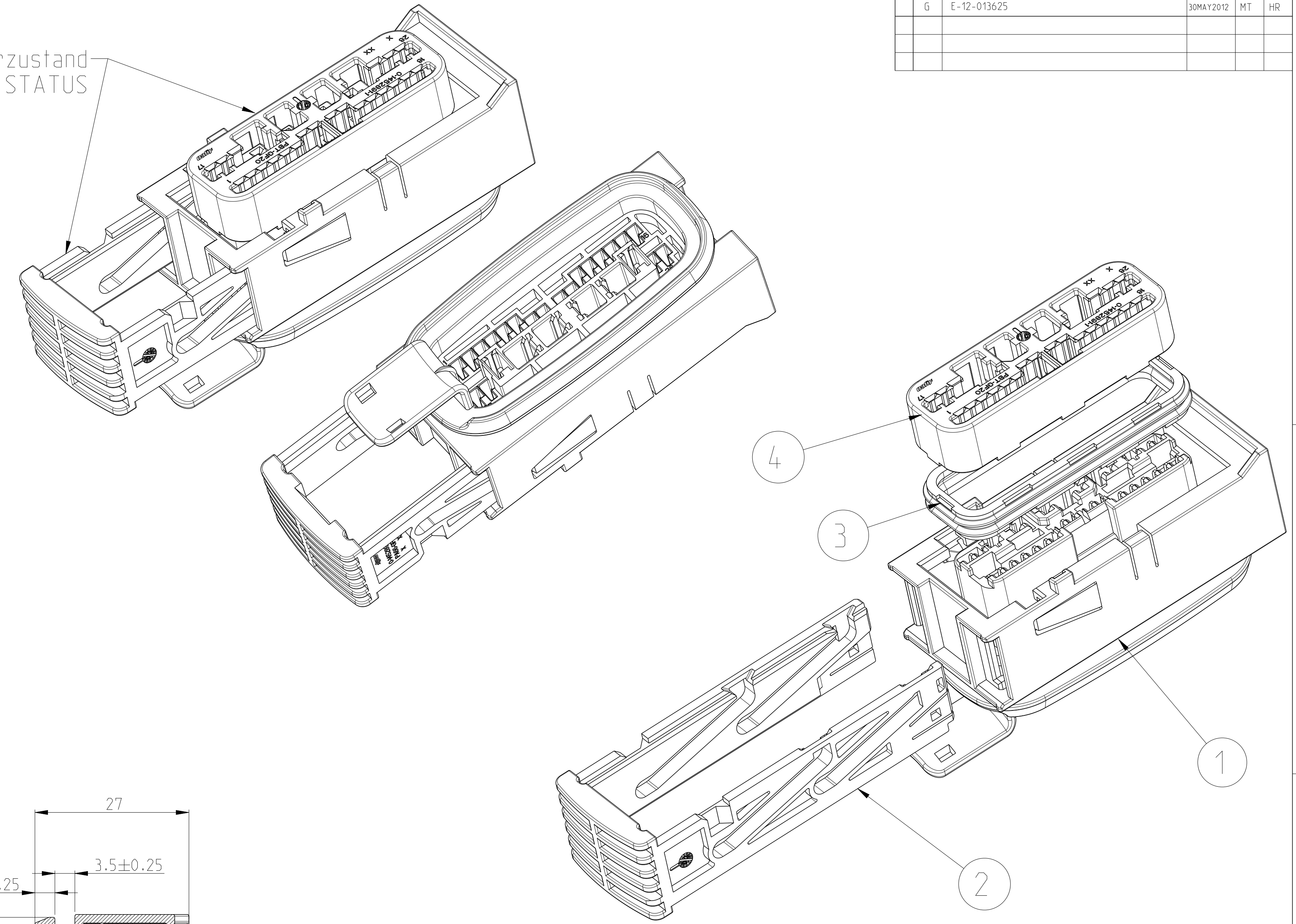
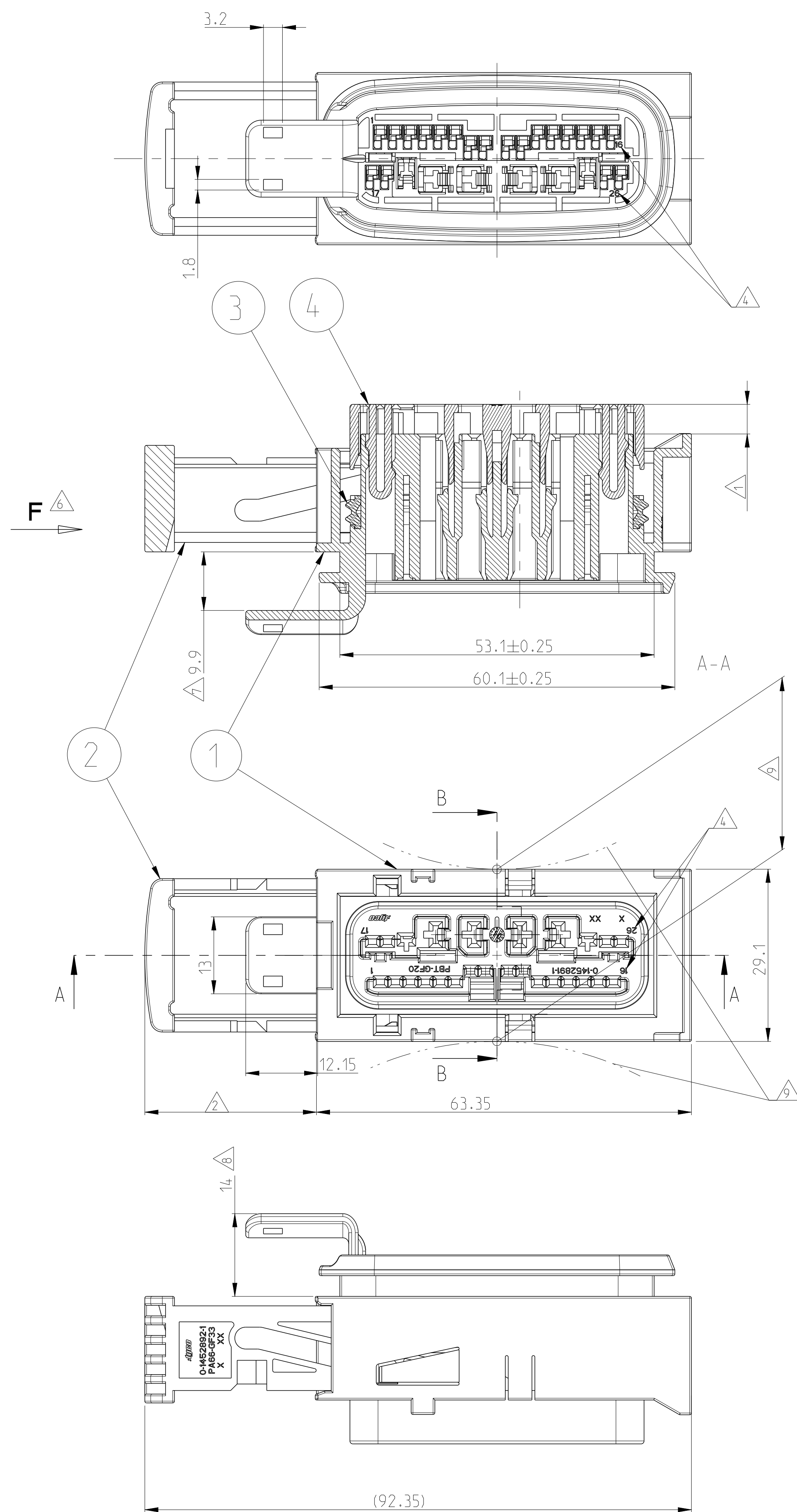


LOC	DIST	REVISIONS					
		P	LTN	DESCRIPTION	DATE	DWN	APVD
A1	-	G	E-12-013625		30MAY2012	MT	HR

Lieferzustand  
DELIVERY STATUS



- NOTES  
BEMERKUNGEN
- 1 DELIVERY STATUS: SPACER IN PRE-LOCKED POSITION  
AUSLIEFERUNGSZUSTAND: SPACER IN VORRASTSTELLUNG
  - 2 DELIVERY STATUS: LOCKING SLIDER IN PRE-LOCKED POSITION  
AUSLIEFERUNGSZUSTAND: VERRASTUNGSSCHIEBER IN VORRASTSTELLUNG
  - 3 MATING CONNECTOR 1452885-X  
GEGENSTECKER 1452885-X
  - 4 CAVITY NUMBERING  
KAMMERNUMMIERUNG
  - 5 PART MUST CONFORM TO CONNECTOR SDS REV. 10 & USCAR 2, REV.3  
TEIL ERFUELLT DIE STECKVERBINDER-SPEZIFIKATIONEN SDS REV. 10 & USCA 2, REV. 3
  - 6 MAX. MATING FORCE FOR FULLY POPULATED CONNECTOR 45N  
MAX. STECKKRAFT FUER VOLLBESTUECKTEN STECKVERBINDER 45N

- 7 WARPAGE TO 8.3mm PERMITTED  
EINFALL BIS 8.3mm ZULAESSIG
- 8 WARPAGE TO 12.4mm PERMITTED  
EINFALL BIS 12.4mm ZULAESSIG
- 9 WARPAGE TO 28mm PERMITTED  
EINFALL BIS 28mm ZULAESSIG

PLATING	20-23		19/24	1-18/25-26	
TERMINAL CAVITY NO					
	0-1326030-4 (MAX 4mm <sup>2</sup> )		TIN	97BG-14474-AGA	GOLD
	97BG-14474-BCA	0-1326030-3	TIN	97BG-14474-ACB	TIN
	97BG-14474-BBA	0-1326030-2	TIN	97BG-14474-ABB	TIN
	97BG-14474-BAA	0-1326030-1	TIN	97BG-14474-AAB	TIN
	YAZAKI 2,8mm	OR TYCO 2,8mm	YAZAKI 15mm	GET	

SUITABLE FEMALE TERMINAL PART NUMBERS

30728379	1452889-1	PBT-GF20	RED	Spacer	4
		SILICONE HARDNESS 30 SHORE A	WHITE	Peripheral Seal	3
		PA66-GF33	BLACK	Cam Slider	2
		PA66-GF35	BLACK	Female Housing	1
VCC PART NO:	TYCO-ASSY-NO:	MATERIAL	COLOR	DISCRIPTION	-

THIS DRAWING IS A CONTROLLED DOCUMENT.

DIMENSIONS:	TOLERANCES UNLESS OTHERWISE SPECIFIED:
mm	0 PLC ±0.5
	1 PLC ±0.5
	2 PLC ±0.5
	3 PLC ±0.5
	4 PLC ±0.5
	ANGLES ±1°

MATERIAL: - FINISH: -

APVD	DATE	NAME	SIZE	CAGE CODE	DRAWING NO	RESTRICTED TO
HR	12 JUL 2004	M. TRAJKOV	A1	116-18678-1	00779	-
MT	12 JUL 2004	H. RIPPER				

Customer Drawing SCALE 2:1 SHEET 1 OF 1 REV G