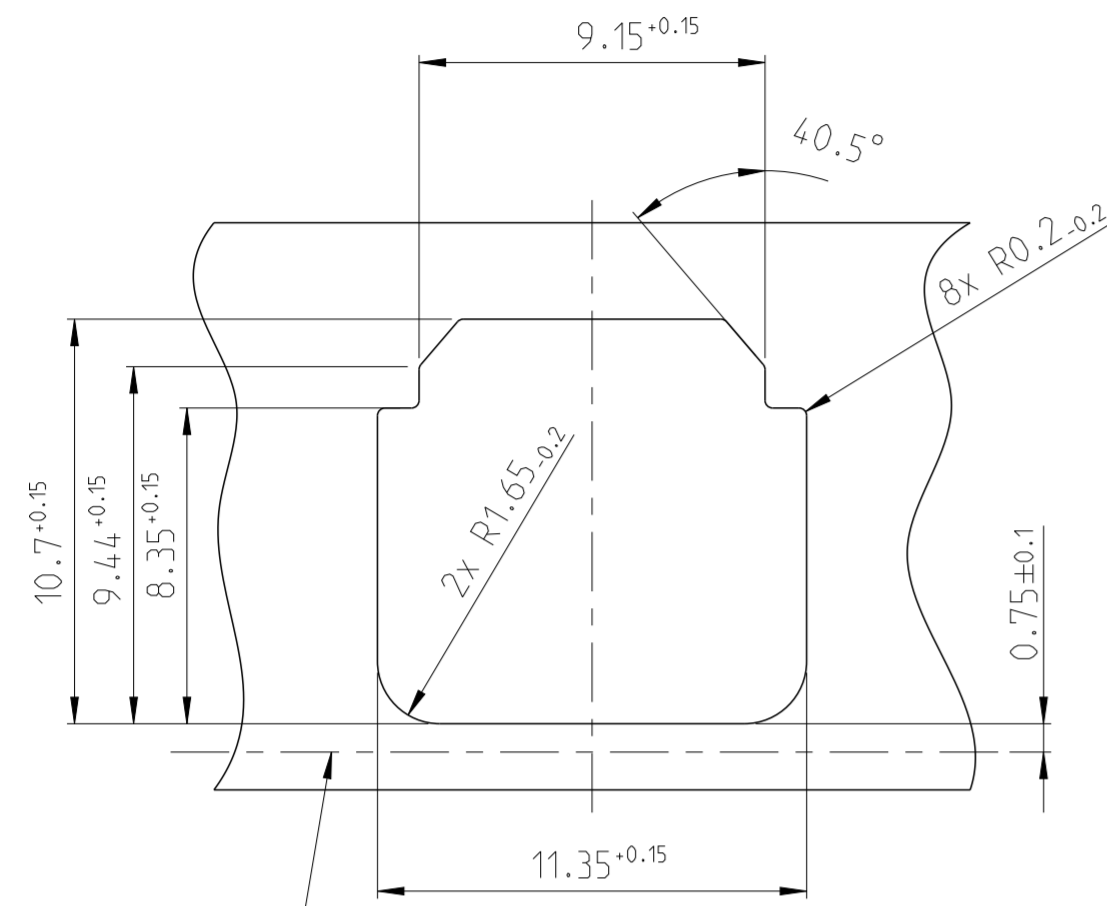
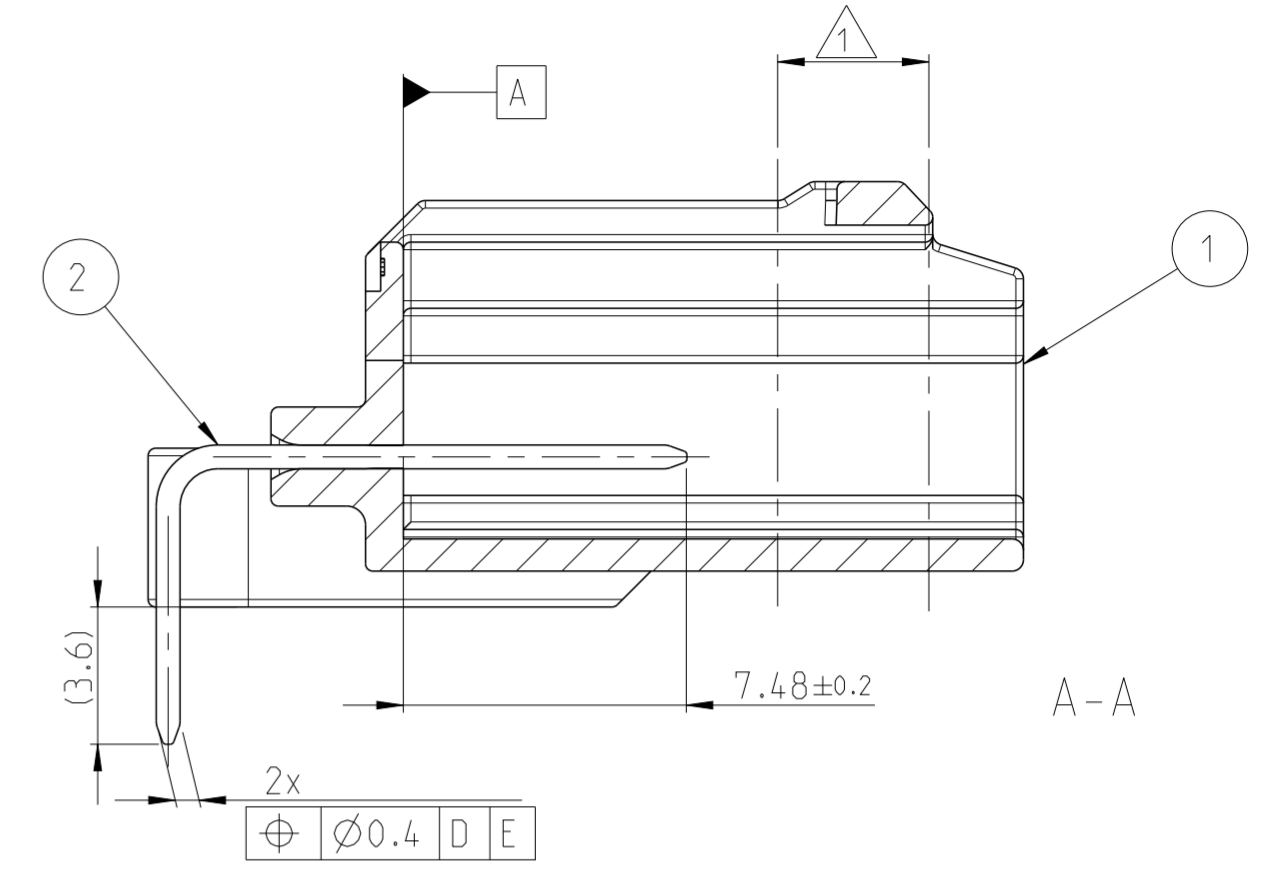
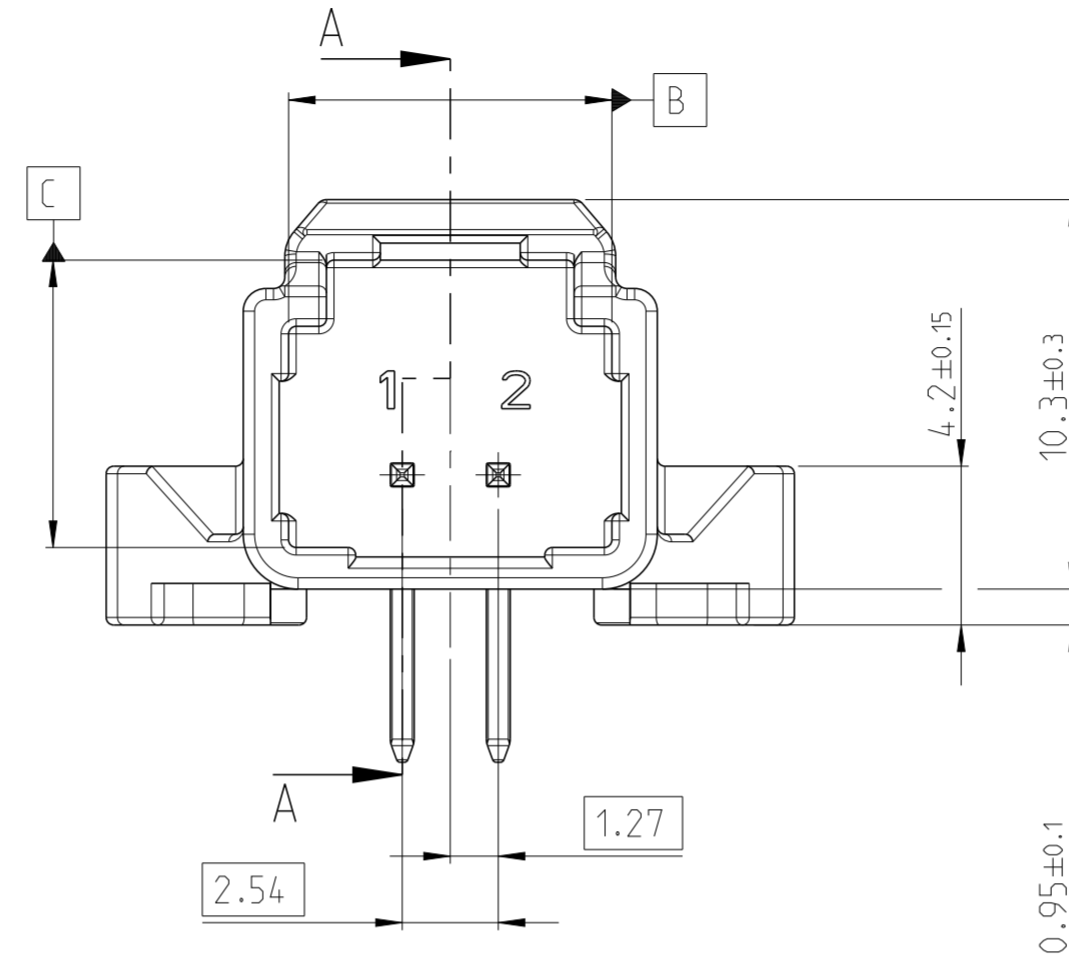


REVISIONS					
P	LTR	DESCRIPTION	DATE	DWN	APVD
A2		SEE PCN: EG00-1138-03-1	28MAR2003	MD	GS
A3		DRAWING UPDATE. SEE EGA0-2083-04	16SEP2004	HM	GS
A4		SECTION B-B NEW ADDED	29APR2005	HM	GS
A5		SEE PCN-E-14-006071	28APR2014	SS	GS

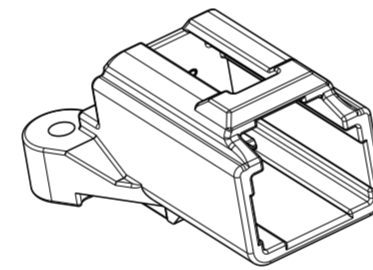
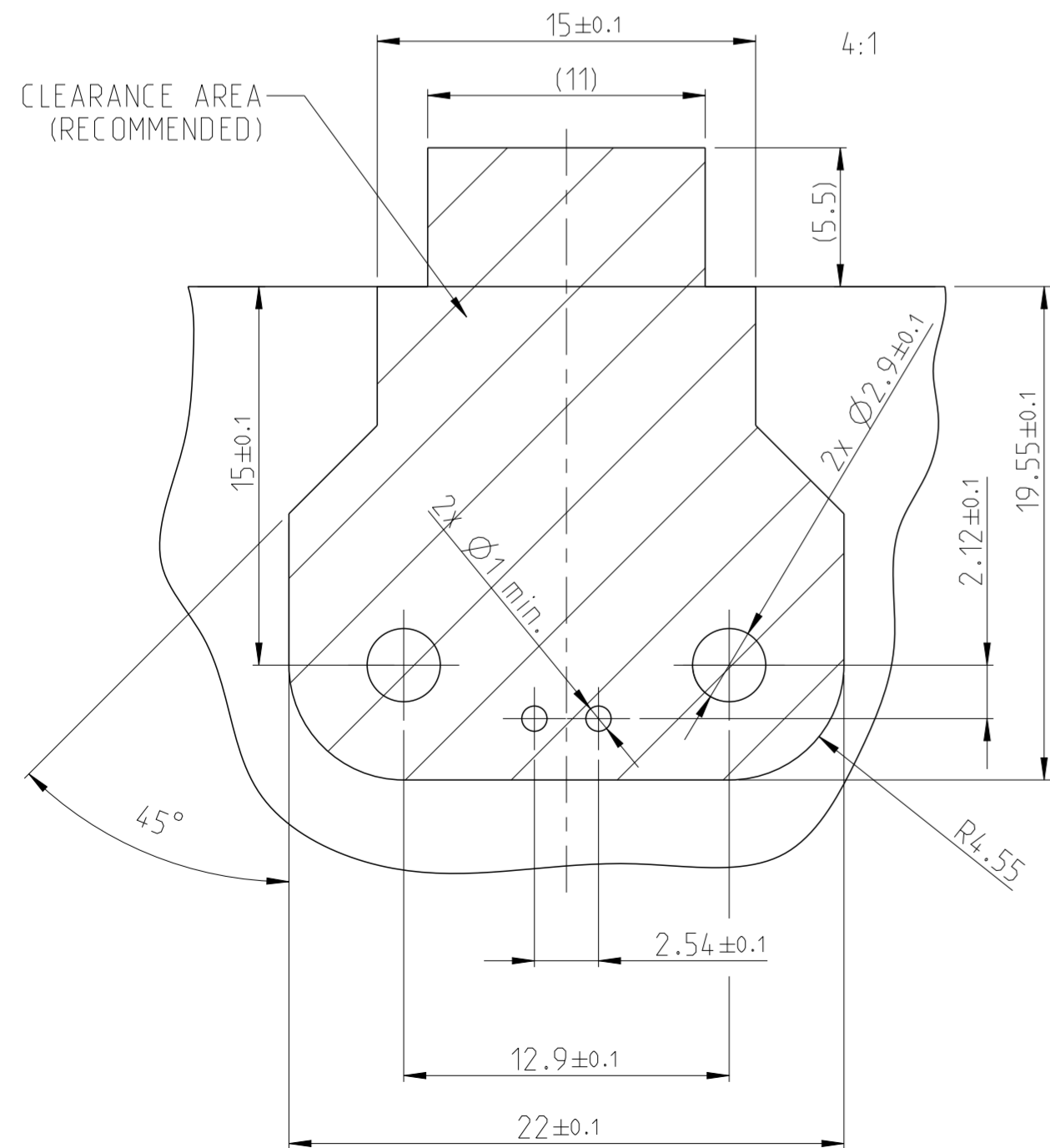
RECOMMENDED FRONTPANEL CUTOUT  
 (FOR INDICATED AREA ONLY) 1



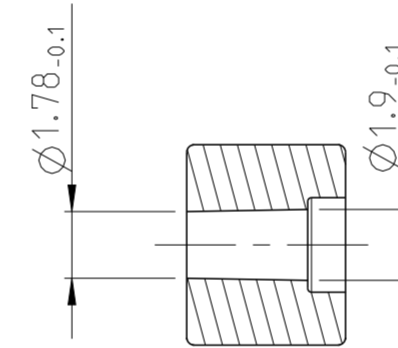
PCB CONNECTOR SIDE



RECOMMENDED PCB LAYOUT  
 (SHOWN FROM CONNECTOR SIDE)

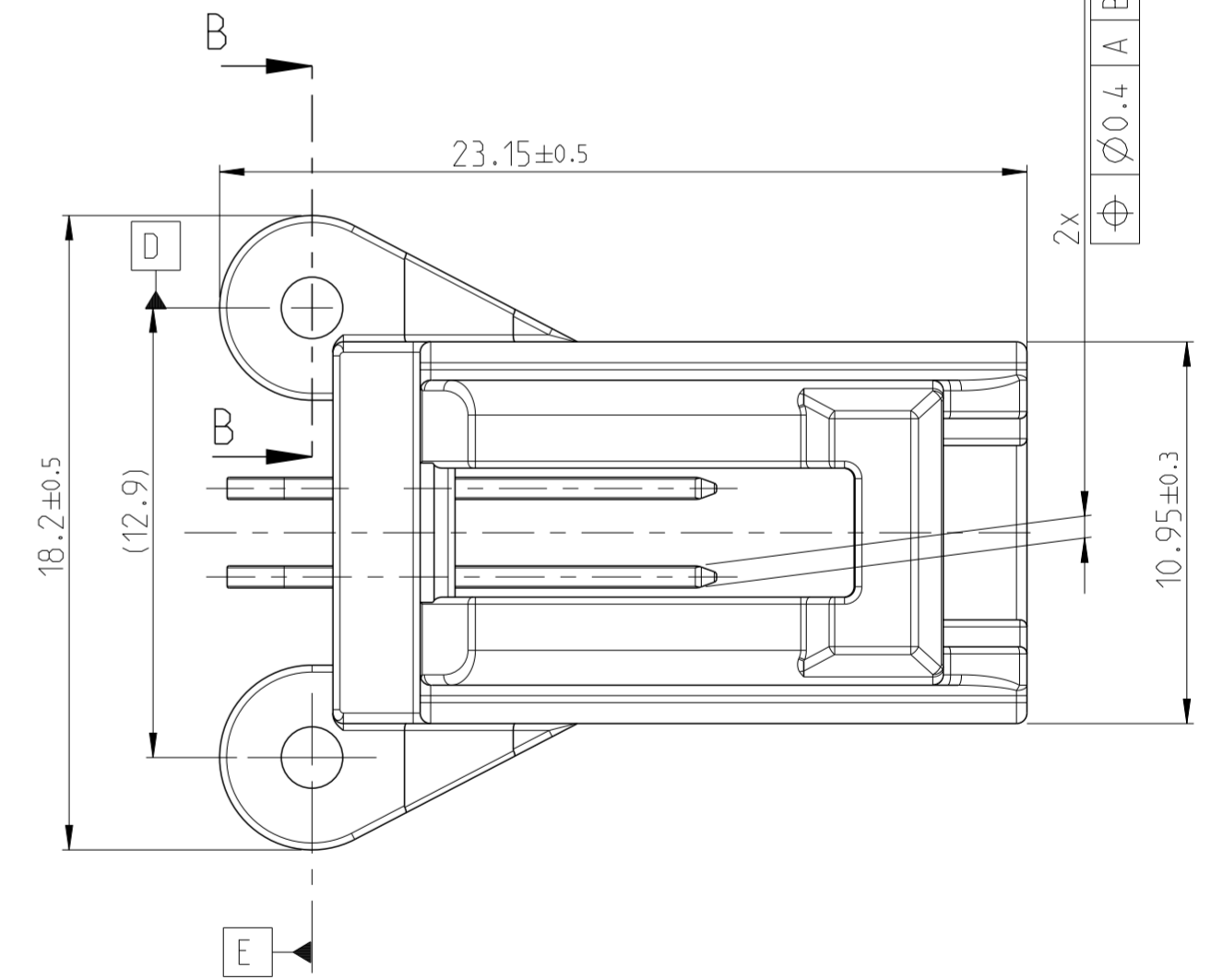


2:1



NOTES :

- RECOMMENDED MOUNTING SCREW:  
DIAMETER FOR PA-MATERIAL: 2.5mm NOMINAL
- ALL SYMMETRIC DIMENSIONS  $\pm 0.05 \text{ (M)}$   $\pm 0.1 \text{ (C)}$
- BULK PACKAGING IN CORRUGATED SHIPPING BOX A5
- ALTERNATIVE MATERIAL A5



REV.	TE ORDER-NUMBER	QTY	ITEM	DESCRIPTION	MATERIAL	COLOR/FINISH
A	1452625-1					
2	2	CONTACT PIN	CuFe	TIN		
1	1	2 POS. HOUSING.	PA66	BLACK		
<span style="border: 1px solid black; padding: 2px;">1</span>	1	2 POS. HOUSING.	PA66	BLACK (BY MASTER BATCH)		

THIS DRAWING IS A CONTROLLED DOCUMENT.

DWN M. DAUBER 03JUL2002  
 CHK G. STEINBACH 07NOV2002  
 APVD -



DIMENSIONS:	TOLERANCES UNLESS OTHERWISE SPECIFIED:
mm	0 PLC ±
	1 PLC ±
	2 PLC ±
	3 PLC ±
	4 PLC ±
	ANGLES ±
	FINISH ±

PRODUCT SPEC	NAME
-	2 POS. GET HEADER 90 DEG. VERSION
APPLICATION SPEC	SIZE
-	A2
WEIGHT	CAGE CODE
-	00779
Customer Drawing	DRAWING NO
-	C-1452625

RESTRICTED TO	SCALE	SHEET	OF	REV
-	5:1	1	1	A5