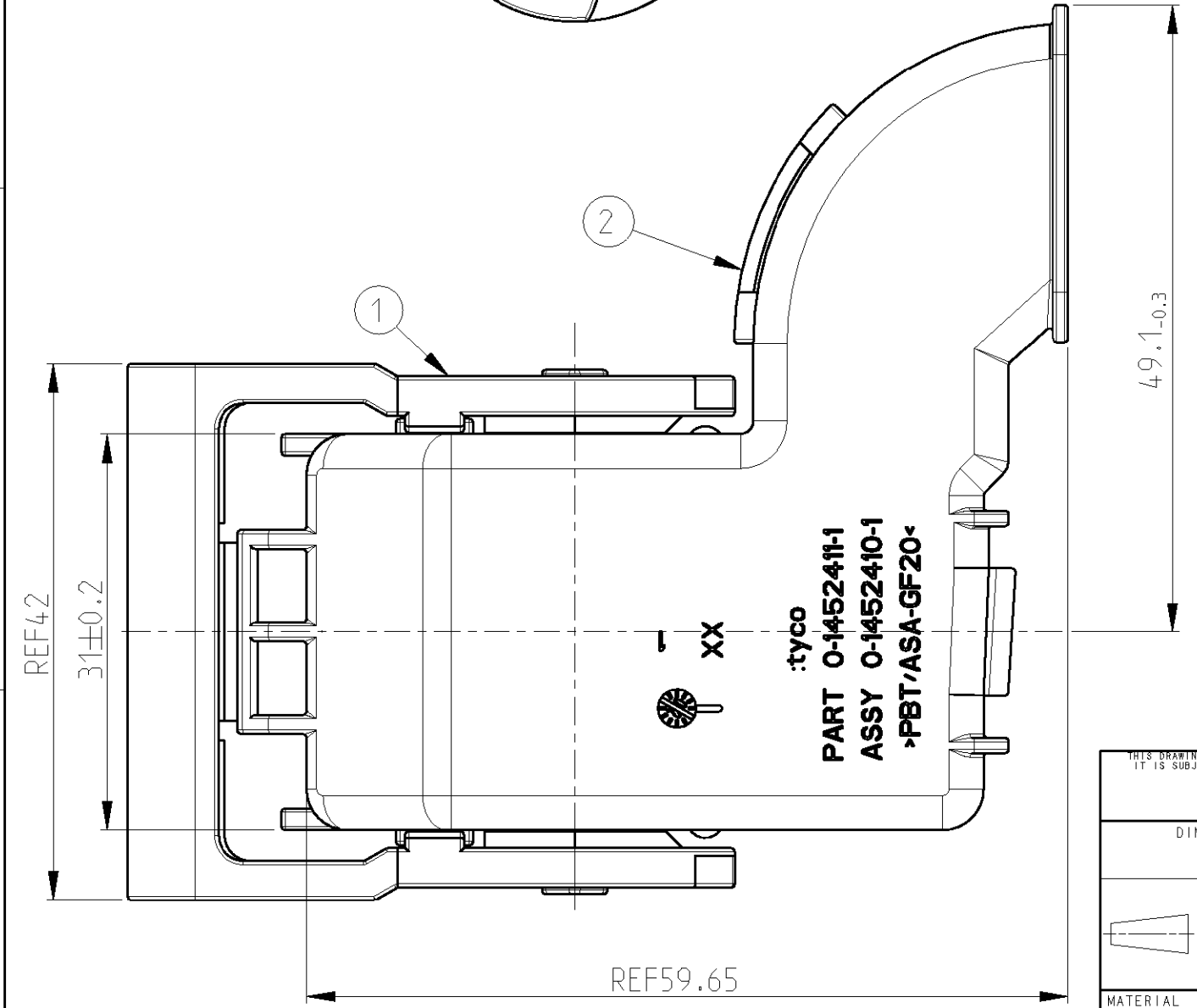
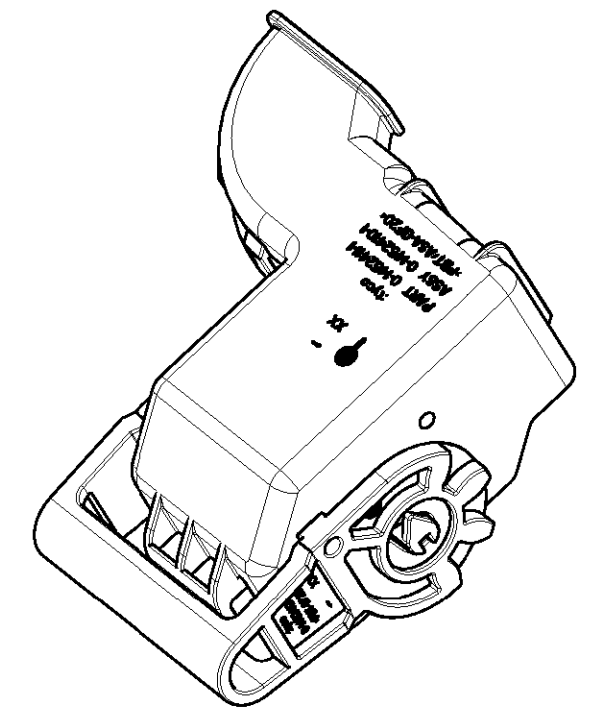
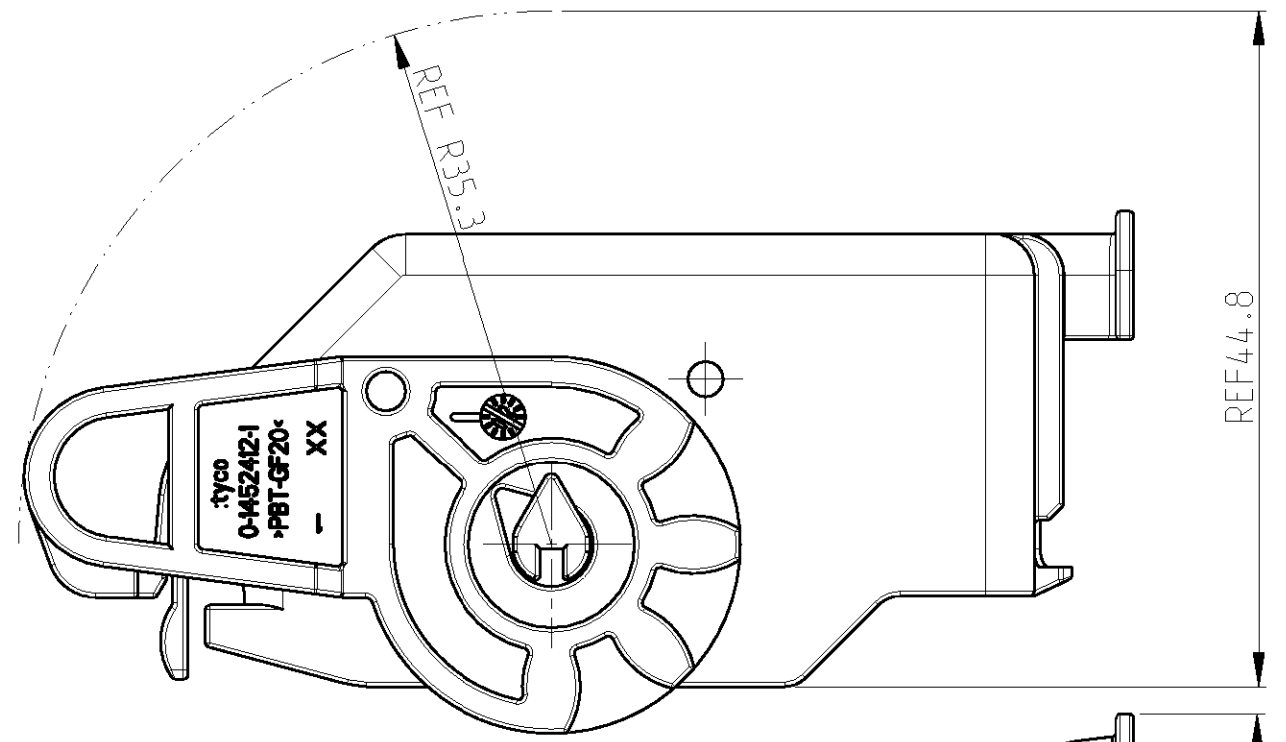


THIS DRAWING IS UNPUBLISHED. RELEASED FOR PUBLICATION 2002
 © COPYRIGHT 2002 BY TYCO ELECTRONICS CORPORATION. ALL RIGHTS RESERVED.

LOC	DIST	REVISIONS					
		P	LTR	DESCRIPTION	DATE	DWN	APVD
A1	-		A	EG00-0197-02	11MAR2002	KR	SD
			A1	EG00-1814-02	29MAY2002	GP	SD
			B	EG00-4163-02	21JAN2003	GP	GM
			C	EG00-0640-03	03MAR2003	GP	GM



NOTES:
 Bemerkungen:
 1 ASSY DELIVERED WITH LEVER IN ENDOCKED POSITION
 Anlieferungszustand: Hebel in Endraststellung

MATED WITH verwendet mit	1452400					
	1x	PBT/ASA-GF20	C	58 POS. CON. COVER	BLACK	2
	1x	PBT-GF20	B	58 POS. CON. LEVER	RED	1
	0-1452410-1	MATERIAL	REV	DESCRIPTION	COLOUR	ITEM NO
	20	WEIGHT OF EACH ASSY NO [g]				
QTY REQD PER ASSY	PARTS LIST					

<small>THIS DRAWING IS A CONTROLLED DOCUMENT FOR TYCO ELECTRONICS CORPORATION IT IS SUBJECT TO CHANGE AND THE CONTROLLING ENGINEERING ORGANIZATION SHOULD BE CONTACTED FOR THE LATEST REVISION.</small>		DWN K.ROTH 11MAR2002 CHK S.DENTER 12MAR2002 APVD G.MUMPER 12MAR2002 PRODUCT SPEC - APPLICATION SPEC 114-18534-1 WEIGHT -	tyco Electronics tyco Electronics AMP GmbH D - 64625 Bensheim
DIMENSIONS: mm 	TOLERANCES UNLESS OTHERWISE SPECIFIED: 0 PLC ± 1 PLC ± 2 PLC ± 3 PLC ± 4 PLC ± ANGLES ±1°	NAME 58 POS. CONNECTOR COVER ASSY (6 x MCP 2.8mm / 52 x 1.2mm TYCO) FOR 154 POS.CON.	RESTRICTED TO -
MATERIAL -	FINISH -	SIZE A3 CAGE CODE 00779 DRAWING NO C=1452410	SCALE 2:1 SHEET 1 OF 1 REV C