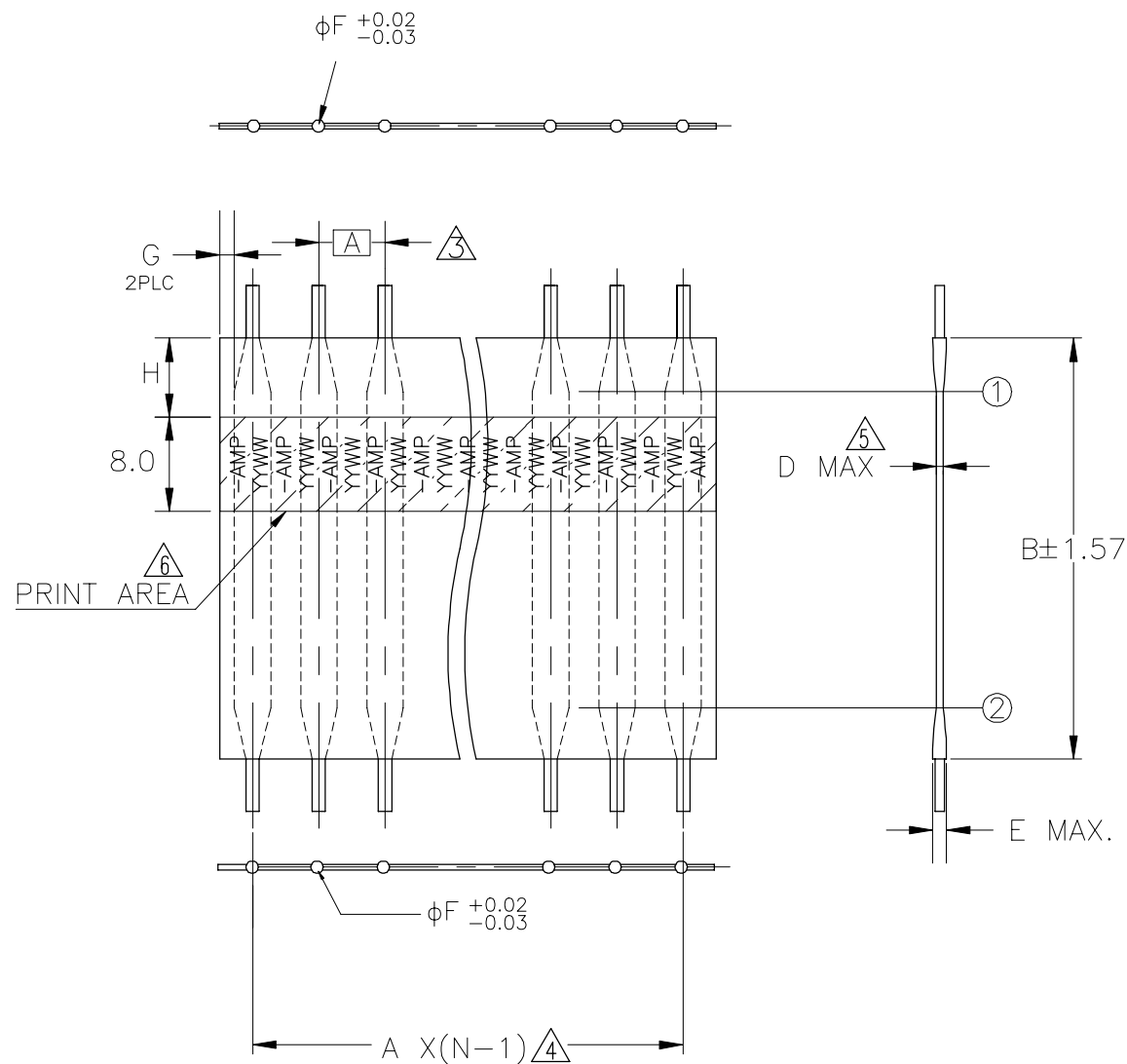


P	LTR	DESCRIPTION	DATE	DWN	APVD
	A18	REVISED	26APR2023	H.M	P.K

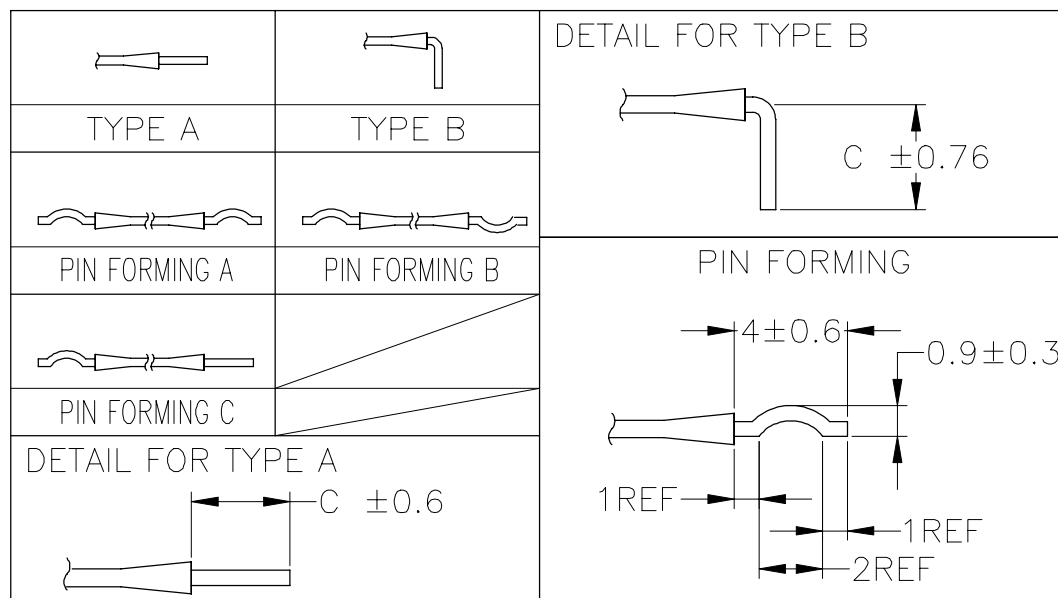


- プリント基板スルーホール径： $\phi 0.94 \pm 0.025$
 また、スルーホールピッチ公差は ± 0.127 である（参考）
 RECOMMENDED THROUGH HOLE DIA. FOR P.C.BOARD： $\phi 0.94 \pm 0.025$
 THROUGH HOLE PITCH TOLERANCE： ± 0.127
- 本仕様から逸脱する場合は、必ず仕様打合わせを行うこと。
 THE SPECIFICATION NEEDS TO BE DISCUSSED WHEN ANY OTHER CHANGE HAPPENED.
- リード位置寸法は、リード根元寸法とする。
 LEAD'S POSITIONAL DIMENSION IS MEASURED AT THE EDGE OF PAPER.
- 公差は以下の表を参照。
 TOLERANCE CHART

PITCH	2~30PINS	31~50PINS
2.30~5.08	± 0.35	± 0.40
1.78~2.00	± 0.30	± 0.35
0.80~1.50	± 0.30	± 0.35

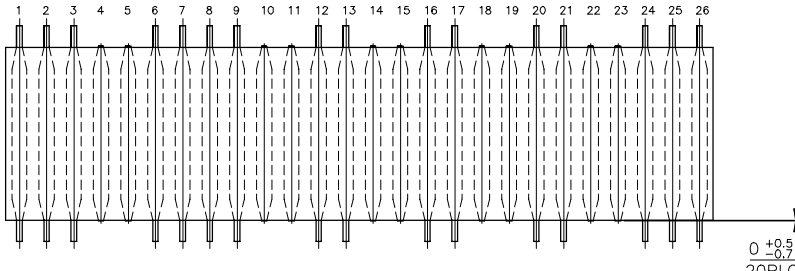
- D寸法は、① ~② 間のワイヤー部の厚さを指す。
 DIMENSION D INDICATES WIRE THICKNESS BETWEEN ① AND ②.
- 製品に印字を行う。
 PRINT ON PRODUCT.

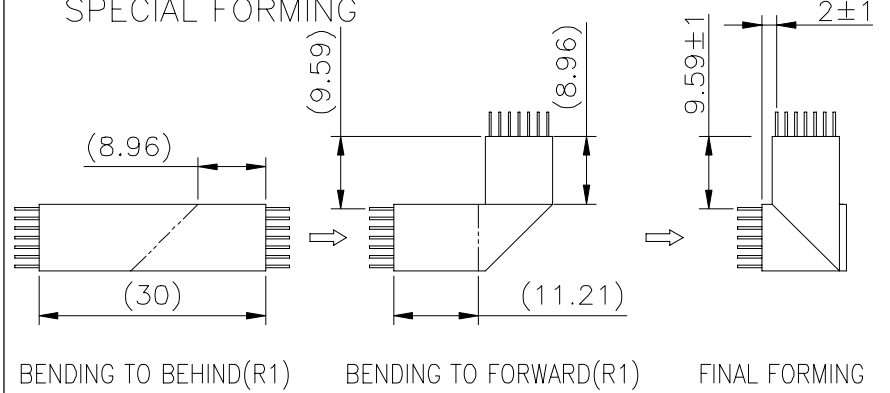
PRINT CHARACTER	PRINT LOCATION	
-AMP	B	H
YYWW	12.7~16.0	1.0mm
	18.0~25.4	7.0mm
	28.0~152.4	10.0mm

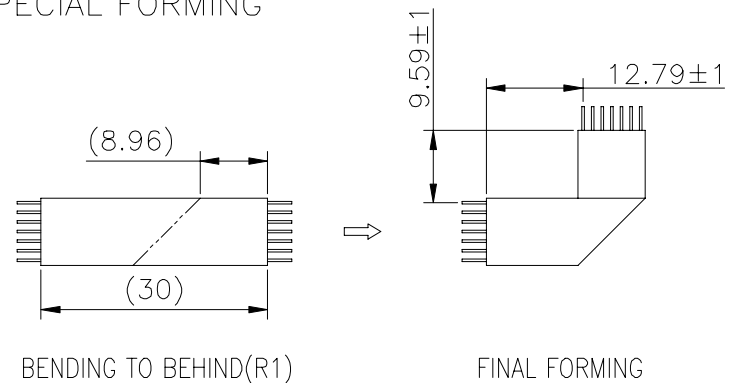


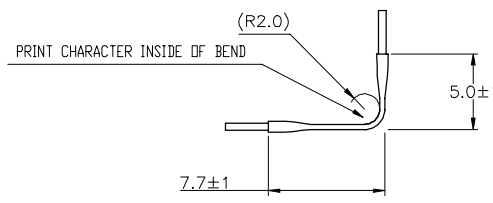
THIS DRAWING IS A CONTROLLED DOCUMENT.		DWN H.OSABE 14JAN2014	TE Connectivity Ltd.	
		CHK M.HARASAWA 14JAN2014		
		APVD N.YAMASAKI 14JAN2014	NAME FLEXSTRIP JUMPER	
DIMENSIONS: mm		PRODUCT SPEC 108-78002	RESTRICTED TO	
TOLERANCES UNLESS OTHERWISE SPECIFIED:		APPLICATION SPEC	SIZE A3	CAGE CODE 00779
0 PLC ± -		WEIGHT 0	DRAWING NO C=1447169	SCALE NTS
1 PLC ± -		CUSTOMER DRAWING		SHEET 1 OF 10
2 PLC ± -				REV A18
3 PLC ± -				
4 PLC ± -				
ANGLES ± -				
FINISH				
MATERIAL				

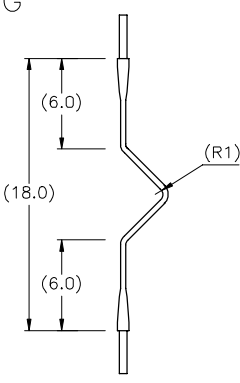
SPECIAL PROCESS 

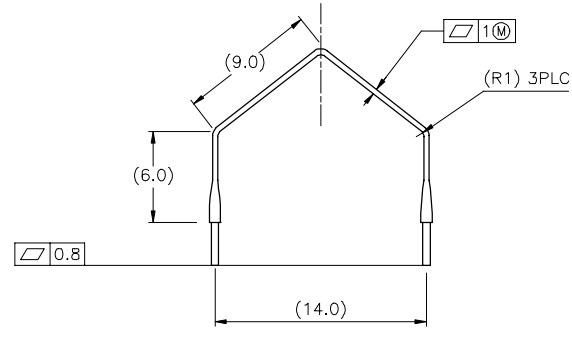
PN	Description
6-1447176-9	FS2N38.1A26-1=JUMPER NOMEX
CUT OFF THE PIN BOTH END PIN No.4,5,10,11,14,15,18,19,22,23	
	

PN	Description
1447169-1	FS1.27A30A7-1=JUMPER NOMEX
SPECIAL FORMING	
	

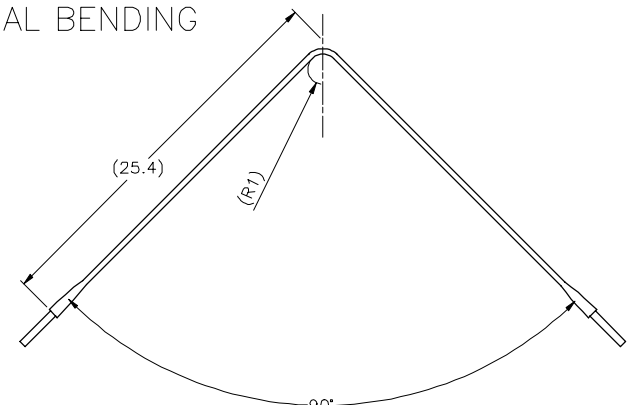
PN	Description
1447169-2	FS1.27A30A7-2=JUMPER NOMEX
SPECIAL FORMING	
	

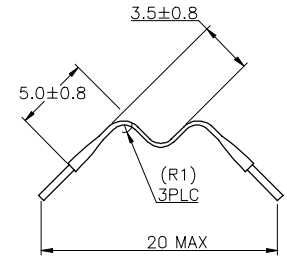
PN	Description
7-1447183-6	FSN-2.5A-11-1 (SPECIAL BENDING)
SPECIAL BENDING	
	

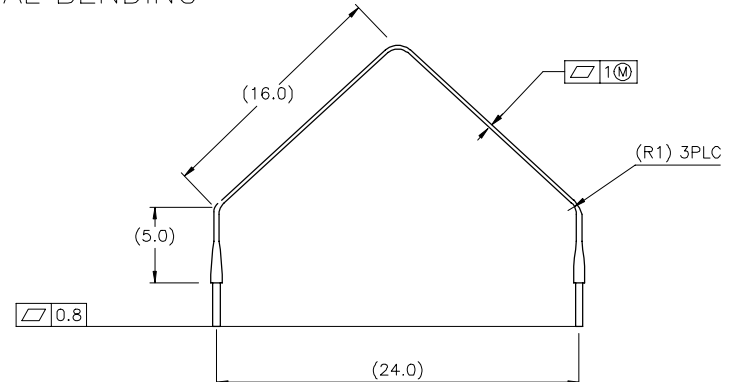
PN	Description
2-1447185-7	FSN-21A-20FV=JUMPER FORMING
SPECIAL BENDING	
	

PN	Description
1473634-1	FS2.54N30A20-1=JUMPER
SPECIAL BENDING	
	

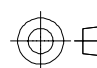

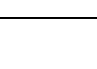


REVISIONS					
P	LTR	DESCRIPTION	DATE	DWN	APVD
-	-	SEE SHEET 1	-	-	-

PN	Description
5-1447186-7	FSN-22A-20-2=JUMPER FORMING
SPECIAL BENDING	
	


PN	Description
1612789-1	FS2N18A16-1=JUMPER
SPECIAL BENDING	
	

PN	Description
1473635-2	FS2.54N42A20-1=JUMPER
SPECIAL BENDING	
	

THIS DRAWING IS A CONTROLLED DOCUMENT.

DIMENSIONS:	TOLERANCES UNLESS OTHERWISE SPECIFIED:
mm	
	0 PLC ± -
	1 PLC ± -
	2 PLC ± -
	3 PLC ± -
	4 PLC ± -
ANGLES	± -
FINISH	-


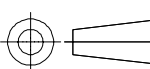
DWN	-
CHK	-
APVD	-
PRODUCT SPEC	108-78002
APPLICATION SPEC	-
WEIGHT	0
CUSTOMER DRAWING	

 TE Connectivity Ltd.		NAME		FLEXSTRIP JUMPER	
		SIZE		RESTRICTED TO	
CAGE CODE		DRAWING NO		SCALE	
A3 00779		C=1447169		NTS	
SHEET		REV		2 OF 10 A18	

P	LTR	DESCRIPTION	DATE	DWN	APVD
-	-	SEE SHEET 1	-	-	-

FS1.27N, FS1.78N SERIES

P/N	Description	Pitch (A)	Tape Length (B)	Pin Length (C)	Tape Thickness (D)	Tape Thickness (E)	Pin Diameter (F)	Margin (G)	POS
1-1447169-7	FS1.27N18A8 =JUMPER NOME X	1.27	18.0	3.18	0.35MAX	0.84MAX	φ0.32	0.25MIN	8
1-1447169-5	FS1.27N18A11 =JUMPER NOME X	1.27	18.0	3.18	0.35MAX	0.84MAX	φ0.32	0.25MIN	11
1447169-1	FS1.27A30A7-1=JUMPER NOME X	1.27	30.0	3.18	0.35MAX	0.84MAX	φ0.32	0.25MIN	30
1447169-2	FS1.27A30A7-2=JUMPER NOME X	1.27	30.0	3.18	0.35MAX	0.84MAX	φ0.32	0.25MIN	30
2-1447169-8	FS1.27N33A30 =JUMPER NOME X	1.27	33.0	3.18	0.35MAX	0.84MAX	φ0.32	0.25MIN	30
7-1447169-8	FS1.78N25.4A30 =JUMPER NOME X	1.78	25.4	3.18	0.35MAX	0.84MAX	φ0.40	0.25MIN	30
8-1447169-4	FS1.78N38.1A21 =JUMPER NOME X PL2.5	1.78	38.1	2.50	0.35MAX	0.84MAX	φ0.40	0.25MIN	27
8-1447169-7	FS1.78N38.1A27 =JUMPER NOME X	1.78	38.1	3.18	0.35MAX	0.84MAX	φ0.40	0.25MIN	27
8-1447169-9	FS1.78N38.1A40 =JUMPER NOME X	1.78	38.1	3.18	0.35MAX	0.84MAX	φ0.40	0.25MIN	40
1447170-7	FS1.78N63.5A40 =JUMPER NOME X	1.78	63.5	3.18	0.35MAX	0.84MAX	φ0.40	0.25MIN	40
1447170-8	FS1.78N63.5A5 =JUMPER NOME X	1.78	63.5	3.18	0.35MAX	0.84MAX	φ0.40	0.25MIN	5
1-1447170-4	FS1.78N76.2A30=JUMPER NOME X	1.78	76.2	3.18	0.35MAX	0.84MAX	φ0.40	0.25MIN	30

THIS DRAWING IS A CONTROLLED DOCUMENT.		DWN	-	 TE Connectivity Ltd.	
DIMENSIONS: mm		CHK	-		
		APVD	-		
TOLERANCES UNLESS OTHERWISE SPECIFIED:		NAME		FLEXSTRIP JUMPER	
0 PLC ± -		PRODUCT SPEC		-	
1 PLC ± -		108-78002		-	
2 PLC ± -		APPLICATION SPEC		-	
3 PLC ± -		SIZE	A3	CAGE CODE	00779
4 PLC ± -		DRAWING NO	G=1447169		RESTRICTED TO
ANGLES ± -		WEIGHT	0		-
FINISH		CUSTOMER DRAWING		SCALE	NTS
-		SHEET		3 of 10	
-		REV		A18	


P	LTR	DESCRIPTION	DATE	DWN	APVD
-	-	SEE SHEET 1	-	-	-

FS2.54N SERIES

P/N	Description	Pitch (A)	Tape Length (B)	Pin Length (C)	Tape Thickness (D)	Tape Thickness (E)	Pin Diameter (F)	Margin (G)	POS
9-1447170-8	FS2.54N15A18 =JUMPER NOMEX	2.54	15.0	3.18	0.35MAX	0.84MAX	φ0.51	0.25MIN	18
1447171-3	FS2.54N15A5 =JUMPER NOMEX	2.54	15.0	3.18	0.35MAX	0.84MAX	φ0.51	0.25MIN	5
1447171-5	FS2.54N15A8 =JUMPER NOMEX	2.54	15.0	3.18	0.35MAX	0.84MAX	φ0.51	0.25MIN	8
1447171-6	FS2.54N16A10 =JUMPER NOMEX	2.54	16.0	3.18	0.35MAX	0.84MAX	φ0.51	0.25MIN	10
2-1447171-0	FS2.54N17A8 =JUMPER NOMEX	2.54	17.0	3.18	0.35MAX	0.84MAX	φ0.51	0.25MIN	8
2-1447171-6	FS2.54N18A4 =JUMPER NOMEX	2.54	18.0	3.18	0.35MAX	0.84MAX	φ0.51	0.25MIN	4
3-1447171-5	FS2.54N20A20 =JUMPER NOMEX	2.54	20.0	3.18	0.35MAX	0.84MAX	φ0.51	0.25MIN	20
4-1447171-1	FS2.54N21A12 =JUMPER NOMEX	2.54	21.0	3.18	0.35MAX	0.84MAX	φ0.51	0.25MIN	12
4-1447171-9	FS2.54N30A10 =JUMPER NOMEX	2.54	30.0	3.18	0.35MAX	0.84MAX	φ0.51	0.25MIN	10
5-1447171-8	FS2.54N30A15 =JUMPER NOMEX	2.54	30.0	3.18	0.35MAX	0.84MAX	φ0.51	0.25MIN	15
6-1447171-2	FS2.54N30A17 =JUMPER NOMEX	2.54	30.0	3.18	0.35MAX	0.84MAX	φ0.51	0.25MIN	17
6-1447171-3	FS2.54N30A18 =JUMPER NOMEX	2.54	30.0	3.18	0.35MAX	0.84MAX	φ0.51	0.25MIN	18
6-1447171-6	FS2.54N30A20 =JUMPER NOMEX	2.54	30.0	3.18	0.35MAX	0.84MAX	φ0.51	0.25MIN	20
1473634-1	FS2.54N30A20-1=JUMPER	2.54	30.0	3.18	0.35MAX	0.84MAX	φ0.51	0.25MIN	20
7-1447171-0	FS2.54N30A21-35=JUMPER NOMEX	2.54	30.0	3.18	0.35MAX	0.84MAX	φ0.51	0.25MIN	21
8-1447171-3	FS2.54N30A4 =JUMPER NOMEX	2.54	30.0	3.18	0.35MAX	0.84MAX	φ0.51	0.25MIN	4
8-1447171-5	FS2.54N30A7 =JUMPER NOMEX	2.54	30.0	3.18	0.35MAX	0.84MAX	φ0.51	0.25MIN	7
8-1447171-8	FS2.54N30A9 =JUMPER NOMEX	2.54	30.0	3.18	0.35MAX	0.84MAX	φ0.51	0.25MIN	9
9-1447171-0	FS2.54N30A10 =JUMPER NOMEX	2.54	35.0	3.18	0.35MAX	0.84MAX	φ0.51	0.25MIN	10
9-1447171-3	FS2.54N35A13 =JUMPER NOMEX	2.54	35.0	3.18	0.35MAX	0.84MAX	φ0.51	0.25MIN	13
9-1447171-8	FS2.54N35A19 =JUMPER NOMEX	2.54	35.0	3.18	0.35MAX	0.84MAX	φ0.51	0.25MIN	19
2-1447172-0	FS2.54N40A22P39=JUMPER NOMEX	2.54	40.0	3.90	0.35MAX	0.84MAX	φ0.51	0.25MIN	22
2-1447172-9	FS2.54N40A28 =JUMPER NOMEX	2.54	40.0	3.18	0.35MAX	0.84MAX	φ0.51	0.25MIN	28
3-1447172-5	FS2.54N40A6 =JUMPER NOMEX	2.54	40.0	3.18	0.35MAX	0.84MAX	φ0.51	0.25MIN	6
3-1447172-7	FS2.54N40A8 =JUMPER NOMEX	2.54	40.0	3.18	0.35MAX	0.84MAX	φ0.51	0.25MIN	8
1473635-2	FS2.54N42A20-1=JUMPER	2.54	40.0	3.18	0.35MAX	0.84MAX	φ0.51	0.25MIN	20
1473635-1	FS2.54N42A20=JUMPER NOMEX	2.54	42.0	3.18	0.35MAX	0.84MAX	φ0.51	0.25MIN	20
1717056-4	FS2.54N5A15 =JUMPER NOMEX	2.54	55.0	3.18	0.35MAX	0.84MAX	φ0.51	0.25MIN	15
5-1447172-2	FS2.54N5A18=JUMPER NOMEX	2.54	55.0	3.18	0.35MAX	0.84MAX	φ0.51	0.25MIN	18
5-1447172-6	FS2.54N5A30 =JUMPER NOMEX	2.54	55.0	3.18	0.35MAX	0.84MAX	φ0.51	0.25MIN	30
5-1447172-7	FS2.54N5A6 =JUMPER NOMEX	2.54	55.0	3.18	0.35MAX	0.84MAX	φ0.51	0.25MIN	6
1717056-3	FS2.54N5A6 = JUMPER NOMEX	2.54	55.0	3.18	0.35MAX	0.84MAX	φ0.51	0.25MIN	5
5-1447172-9	FS2.54N6A22=JUMPER NOMEX	2.54	56.0	3.18/4.5	0.35MAX	0.84MAX	φ0.51	0.25MIN	22
6-1447172-3	FS2.54N70A17PA=JUMPER (PA4.0)	2.54	70.0	4.00	0.35MAX	0.84MAX	φ0.51	0.25MIN	17
6-1447172-9	FS2.54N81A29 =JUMPER NOMEX	2.54	81.0	3.18	0.35MAX	0.84MAX	φ0.51	0.25MIN	29

SEE SPECIAL PROCESS

SEE SPECIAL PROCESS

THIS DRAWING IS A CONTROLLED DOCUMENT.		DWN	-	 TE Connectivity Ltd.	
DIMENSIONS: mm		CHK	-		
TOLERANCES UNLESS OTHERWISE SPECIFIED:		APVD	-		
0 PLC ± - 1 PLC ± - 2 PLC ± - 3 PLC ± - 4 PLC ± - ANGLES ± -		PRODUCT SPEC	108-78002		
MATERIAL	FINISH	NAME	FLEXSTRIP JUMPER		RESTRICTED TO
-	-	SIZE	A3	CAGE CODE	00779
		DRAWING NO	C=1447169		
		WEIGHT	0		
CUSTOMER DRAWING		SCALE	NTS		SHEET 4 OF 10
		REV	A18		

P	LTR	DESCRIPTION	DATE	DWN	APVD
-	-	SEE SHEET 1	-	-	-

FS2N SERIES NO.1

SEE SPECIAL PROCESS

SEE SPECIAL PROCESS

PIN	Description	Pitch (A)	Tape Length (B)	Pin Length (C)	Tape Thickness (D)	Tape Thickness (E)	Pin Diameter (F)	Margin (G)	POS
7-1447173-2	FS2N101.6A12PA=JUMPER NOMEX	2.00	101.6	4.00	0.35MAX	0.84MAX	φ0.40	0.25MIN	12
7-1447173-7	FS2N101.6A15PA=JUMPER NOMEX PL4.5	2.00	101.6	4.5±0.5	0.35MAX	0.84MAX	φ0.40	0.25MIN	15
7-1447173-9	FS2N101.6A16PA=JUMPER NOMEX	2.00	101.6	4.00	0.35MAX	0.84MAX	φ0.40	0.25MIN	16
8-1447173-2	FS2N101.6A20=JUMPER NOMEX	2.00	101.6	3.18	0.35MAX	0.84MAX	φ0.40	0.25MIN	20
8-1447173-9	FS2N101.6A3=JUMPER NOMEX	2.00	101.6	3.18	0.35MAX	0.84MAX	φ0.40	0.25MIN	3
9-1447173-4	FS2N101.6A6=JUMPER NOMEX	2.00	101.6	3.18	0.35MAX	0.84MAX	φ0.40	0.25MIN	6
9-1447173-6	FS2N101.6A8=JUMPER NOMEX	2.00	101.6	3.18	0.35MAX	0.84MAX	φ0.40	0.25MIN	8
1-1447174-5	FS2N12.7A10=JUMPER NOMEX	2.00	12.7	3.18	0.35MAX	0.84MAX	φ0.40	0.25MIN	10
2-1447174-0	FS2N12.7A13=JUMPER NOMEX	2.00	12.7	3.18	0.35MAX	0.84MAX	φ0.40	0.25MIN	13
2-1447174-1	FS2N12.7A14=JUMPER NOMEX	2.00	12.7	3.18	0.35MAX	0.84MAX	φ0.40	0.25MIN	14
2-1447174-5	FS2N12.7A17=JUMPER NOMEX	2.00	12.7	3.18	0.35MAX	0.84MAX	φ0.40	0.25MIN	17
2-1447174-9	FS2N12.7A20=JUMPER NOMEX	2.00	12.7	3.18	0.35MAX	0.84MAX	φ0.40	0.25MIN	20
3-1447174-0	FS2N12.7A22=JUMPER NOMEX	2.00	12.7	3.18	0.35MAX	0.84MAX	φ0.40	0.25MIN	22
3-1447174-1	FS2N12.7A24=JUMPER NOMEX	2.00	12.7	3.18	0.35MAX	0.84MAX	φ0.40	0.25MIN	24
3-1447174-3	FS2N12.7A26=JUMPER NOMEX	2.00	12.7	3.18	0.35MAX	0.84MAX	φ0.40	0.25MIN	26
2-1447174-8	FS2N12.7A2=JUMPER NOMEX	2.00	12.7	3.18	0.35MAX	0.84MAX	φ0.40	0.25MIN	2
3-1447174-5	FS2N12.7A3=JUMPER NOMEX	2.00	12.7	3.18	0.35MAX	0.84MAX	φ0.40	0.25MIN	3
3-1447174-8	FS2N12.7A4=JUMPER NOMEX	2.00	12.7	3.18	0.35MAX	0.84MAX	φ0.40	0.25MIN	4
4-1447174-0	FS2N12.7A5=JUMPER NOMEX	2.00	12.7	3.18	0.35MAX	0.84MAX	φ0.40	0.25MIN	5
4-1447174-2	FS2N12.7A6=JUMPER NOMEX	2.00	12.7	3.18	0.35MAX	0.84MAX	φ0.40	0.25MIN	6
1437127-7	FS2N12.7A8=JUMPER NOMEX	2.00	12.7	3.18	0.35MAX	0.84MAX	φ0.40	0.25MIN	8
4-1447174-6	FS2N12.7A9=JUMPER NOMEX	2.00	12.7	3.18	0.35MAX	0.84MAX	φ0.40	0.25MIN	9
9-1447174-9	FS2N18A4=JUMPER NOMEX	2.00	18.0	3.18	0.35MAX	0.84MAX	φ0.40	0.25MIN	4
1612789-1	FS2N18A16=JUMPER	2.00	18.0	3.18	0.35MAX	0.84MAX	φ0.40	0.25MIN	16
1447175-5	FS2N20A18=JUMPER NOMEX	2.00	20.0	3.18	0.35MAX	0.84MAX	φ0.40	0.25MIN	18
1447175-9	FS2N20A9=JUMPER NOMEX	2.00	20.0	3.18	0.35MAX	0.84MAX	φ0.40	0.25MIN	9
1-1447175-5	FS2N25.4A10=JUMPER NOMEX	2.00	25.4	3.18	0.35MAX	0.84MAX	φ0.40	0.25MIN	10
2-1447175-1	FS2N25.4A12=JUMPER NOMEX	2.00	25.4	3.18	0.35MAX	0.84MAX	φ0.40	0.25MIN	12
2-1447175-5	FS2N25.4A12PA=JUMPER (PA4.0)	2.00	25.4	4.00	0.35MAX	0.84MAX	φ0.40	0.25MIN	12
2-1447175-6	FS2N25.4A13=JUMPER NOMEX	2.00	25.4	3.18	0.35MAX	0.84MAX	φ0.40	0.25MIN	13
3-1447175-2	FS2N25.4A14=JUMPER NOMEX	2.00	25.4	3.18	0.35MAX	0.84MAX	φ0.40	0.25MIN	14
3-1447175-7	FS2N25.4A16=JUMPER NOMEX	2.00	25.4	3.18	0.35MAX	0.84MAX	φ0.40	0.25MIN	16
4-1447175-0	FS2N25.4A17=JUMPER NOMEX	2.00	25.4	3.18	0.35MAX	0.84MAX	φ0.40	0.25MIN	17
4-1447175-3	FS2N25.4A19=JUMPER NOMEX	2.00	25.4	3.18	0.35MAX	0.84MAX	φ0.40	0.25MIN	19
4-1447175-4	FS2N25.4A2=JUMPER NOMEX	2.00	25.4	3.18	0.35MAX	0.84MAX	φ0.40	0.25MIN	2
4-1447175-6	FS2N25.4A20=JUMPER NOMEX	2.00	25.4	3.18	0.35MAX	0.84MAX	φ0.40	0.25MIN	20
4-1447175-9	FS2N25.4A21=JUMPER NOMEX	2.00	25.4	3.18	0.35MAX	0.84MAX	φ0.40	0.25MIN	21
5-1447175-0	FS2N25.4A22=JUMPER NOMEX	2.00	25.4	3.18	0.35MAX	0.84MAX	φ0.40	0.25MIN	22
5-1447175-2	FS2N25.4A23=JUMPER NOMEX	2.00	25.4	3.18	0.35MAX	0.84MAX	φ0.40	0.25MIN	23
5-1447175-4	FS2N25.4A25=JUMPER NOMEX	2.00	25.4	3.18	0.35MAX	0.84MAX	φ0.40	0.25MIN	25
5-1447175-6	FS2N25.4A26=JUMPER NOMEX	2.00	25.4	3.18	0.35MAX	0.84MAX	φ0.40	0.25MIN	26
6-1447175-1	FS2N25.4A3=JUMPER NOMEX	2.00	25.4	3.18	0.35MAX	0.84MAX	φ0.40	0.25MIN	3
6-1447175-4	FS2N25.4A30=JUMPER NOMEX	2.00	25.4	3.18	0.35MAX	0.84MAX	φ0.40	0.25MIN	30
6-1447175-5	FS2N25.4A32=JUMPER NOMEX	2.00	25.4	3.18	0.35MAX	0.84MAX	φ0.40	0.25MIN	32
6-1447175-9	FS2N25.4A4=JUMPER NOMEX	2.00	25.4	3.18	0.35MAX	0.84MAX	φ0.40	0.25MIN	4
7-1447175-1	FS2N25.4A5=JUMPER NOMEX	2.00	25.4	3.18	0.35MAX	0.84MAX	φ0.40	0.25MIN	5
7-1447175-3	FS2N25.4A59=JUMPER NOMEX	2.00	25.4	3.18	0.35MAX	0.84MAX	φ0.40	0.25MIN	59
7-1447175-4	FS2N25.4A6=JUMPER NOMEX	2.00	25.4	3.18	0.35MAX	0.84MAX	φ0.40	0.25MIN	6
7-1447175-6	FS2N25.4A7=JUMPER NOMEX	2.00	25.4	3.18	0.35MAX	0.84MAX	φ0.40	0.25MIN	7
8-1447175-0	FS2N25.4A8=JUMPER NOMEX	2.00	25.4	3.18	0.35MAX	0.84MAX	φ0.40	0.25MIN	8
8-1447175-4	FS2N25.4A9=JUMPER NOMEX	2.00	25.4	3.18	0.35MAX	0.84MAX	φ0.40	0.25MIN	9
1437127-8	FS2N29A20=JUMPER NOMEX	2.00	28.0	3.18	0.35MAX	0.84MAX	φ0.40	0.25MIN	20
1447176-6	FS2N30A25=JUMPER NOMEX	2.00	30.0	3.18	0.35MAX	0.84MAX	φ0.40	0.25MIN	25
1-1447176-2	FS2N32A15=JUMPER NOMEX	2.00	32.0	3.18	0.35MAX	0.84MAX	φ0.40	0.25MIN	15
2-1447176-1	FS2N35A7=JUMPER NOMEX	2.00	35.0	3.18	0.35MAX	0.84MAX	φ0.40	0.25MIN	7
1437127-9	FS2N36A20=JUMPER NOMEX	2.00	36.0	3.18	0.35MAX	0.84MAX	φ0.40	0.25MIN	20
2-1447176-4	FS2N38.1A10=JUMPER NOMEX	2.00	38.1	3.18	0.35MAX	0.84MAX	φ0.40	0.25MIN	10
2-1447176-6	FS2N38.1A11=JUMPER NOMEX	2.00	38.1	3.18	0.35MAX	0.84MAX	φ0.40	0.25MIN	11
2-1447176-7	FS2N38.1A12=JUMPER NOMEX	2.00	38.1	3.18	0.35MAX	0.84MAX	φ0.40	0.25MIN	12
3-1447176-1	FS2N38.1A13=JUMPER NOMEX	2.00	38.1	3.18	0.35MAX	0.84MAX	φ0.40	0.25MIN	13
3-1447176-6	FS2N38.1A14=JUMPER NOMEX	2.00	38.1	3.18	0.35MAX	0.84MAX	φ0.40	0.25MIN	14
4-1447176-0	FS2N38.1A15=JUMPER NOMEX	2.00	38.1	3.18	0.35MAX	0.84MAX	φ0.40	0.25MIN	15
4-1447176-7	FS2N38.1A16=JUMPER NOMEX	2.00	38.1	3.18	0.35MAX	0.84MAX	φ0.40	0.25MIN	16
5-1447176-1	FS2N38.1A16PA=JUMPER (PA4.0)	2.00	38.1	3.18	0.35MAX	0.84MAX	φ0.40	0.25MIN	16
5-1447176-2	FS2N38.1A17=JUMPER NOMEX	2.00	38.1	3.18	0.35MAX	0.84MAX	φ0.40	0.25MIN	17
5-1447176-3	FS2N38.1A18=JUMPER NOMEX	2.00	38.1	3.18	0.35MAX	0.84MAX	φ0.40	0.25MIN	18
5-1447176-5	FS2N38.1A19=JUMPER NOMEX	2.00	38.1	3.18	0.35MAX	0.84MAX	φ0.40	0.25MIN	19
5-1447176-7	FS2N38.1A2=JUMPER NOMEX	2.00	38.1	3.18	0.35MAX	0.84MAX	φ0.40	0.25MIN	2
5-1447176-8	FS2N38.1A20=JUMPER NOMEX	2.00	38.1	3.18	0.35MAX	0.84MAX	φ0.40	0.25MIN	20
5-1447176-9	FS2N38.1A21=JUMPER NOMEX	2.00	38.1	3.18	0.35MAX	0.84MAX	φ0.40	0.25MIN	21
6-1447176-1	FS2N38.1A22=JUMPER NOMEX	2.00	38.1	3.18	0.35MAX	0.84MAX	φ0.40	0.25MIN	22
6-1447176-3	FS2N38.1A23=JUMPER NOMEX	2.00	38.1	3.18	0.35MAX	0.84MAX	φ0.40	0.25MIN	23
6-1447176-4	FS2N38.1A24=JUMPER NOMEX	2.00	38.1	3.18	0.35MAX	0.84MAX	φ0.40	0.25MIN	24
6-1447176-6	FS2N38.1A25=JUMPER NOMEX	2.00	38.1	3.18	0.35MAX	0.84MAX	φ0.40	0.25MIN	25
6-1447176-8	FS2N38.1A26=JUMPER NOMEX	2.00	38.1	3.18	0.35MAX	0.84MAX	φ0.40	0.25MIN	26
7-1447176-9	FS2N38.1A26-1=JUMPER NOMEX	2.00	38.1	3.18	0.35MAX	0.84MAX	φ0.40	0.25MIN	26
7-1447176-5	FS2N38.1A29=JUMPER NOMEX	2.00	38.1	3.18	0.35MAX	0.84MAX	φ0.40	0.25MIN	29
7-1447176-6	FS2N38.1A3=JUMPER NOMEX	2.00	38.1	3.18	0.35MAX	0.84MAX	φ0.40	0.25MIN	3
7-1447176-9	FS2N38.1A31=JUMPER NOMEX	2.00	38.1	3.18	0.35MAX	0.84MAX	φ0.40	0.25MIN	31
8-1447176-4	FS2N38.1A4=JUMPER NOMEX	2.00	38.1	3.18	0.35MAX	0.84MAX	φ0.40	0.25MIN	4
8-1447176-7	FS2N38.1A5=JUMPER NOMEX	2.00	38.1	3.18	0.35MAX	0.84MAX	φ0.40	0.25MIN	5
9-1447176-2	FS2N38.1A6=JUMPER NOMEX	2.00	38.1	3.18	0.35MAX	0.84MAX	φ0.40	0.25MIN	6
9-1447176-4	FS2N38.1A7=JUMPER NOMEX	2.00	38.1	3.18	0.35MAX	0.84MAX	φ0.40	0.25MIN	7
9-1447176-5	FS2N38.1A8=JUMPER NOMEX	2.00	38.1	3.18	0.35MAX	0.84MAX	φ0.40	0.25MIN	8
9-1447176-7	FS2N38.1A89=JUMPER NOMEX	2.00	38.1	3.18/4.50	0.35MAX	0.84MAX	φ0.40	0.25MIN	8

THIS DRAWING IS A CONTROLLED DOCUMENT.

DIMENSIONS: mm

TOLERANCES UNLESS OTHERWISE SPECIFIED:

0 PLC ± -
 1 PLC ± -
 2 PLC ± -
 3 PLC ± -
 4 PLC ± -
 ANGLES ± -

MATERIAL: - FINISH: -

DWN
CHK
APVD
PRODUCT SPEC
108-78002
APPLICATION SPEC
WEIGHT: 0

SEE SHEET 1

NAME: FLEXSTRIP JUMPER

SIZE: A3 CAGE CODE: 00779 DRAWING NO: 1447169 RESTRICTED TO: -

CUSTOMER DRAWING SCALE: NTS SHEET: 5 OF 10 REV: A18

TE Connectivity Ltd.

P	LTR	DESCRIPTION	DATE	DWN	APVD
-	-	SEE SHEET 1	-	-	-

FS2N SERIES NO.2

P/N	Description	Pitch (A)	Tape Length (B)	Pin Length (C)	Tape Thickness (D)	Tape Thickness (E)	Pin Diameter (F)	Margin (G)	POS
1447177-1	FS2N38.1A9 =JUMPER NOMEX	2.00	38.1	3.18	0.35MAX	0.84MAX	φ0.40	0.25MIN	9
1447177-7	FS2N38.1B12 =JUMPER NOMEX	2.00	38.1	3.18	0.35MAX	0.84MAX	φ0.40	0.25MIN	12
5-1447176-1	FS2N38.1A16PA=JUMPER NOMEX(PA4.0)	2.00	38.1	4.00	0.35MAX	0.84MAX	φ0.40	0.25MIN	16
1-1447177-4	FS2N40A14 =JUMPER NOMEX	2.00	40.0	3.18	0.35MAX	0.84MAX	φ0.40	0.25MIN	14
2-1447177-2	FS2N42A11 =JUMPER NOMEX	2.00	42.0	3.18	0.35MAX	0.84MAX	φ0.40	0.25MIN	11
2-1447177-3	FS2N42A15 =JUMPER NOMEX	2.00	42.0	3.18	0.35MAX	0.84MAX	φ0.40	0.25MIN	15
2-1447177-5	FS2N42A9 =JUMPER NOMEX	2.00	42.0	3.18	0.35MAX	0.84MAX	φ0.40	0.25MIN	9
3-1447177-2	FS2N50.8A10 =JUMPER NOMEX	2.00	50.8	3.18	0.35MAX	0.84MAX	φ0.40	0.25MIN	10
3-1447177-5	FS2N50.8A11 =JUMPER NOMEX	2.00	50.8	3.18	0.35MAX	0.84MAX	φ0.40	0.25MIN	11
3-1447177-8	FS2N50.8A12 =JUMPER NOMEX	2.00	50.8	3.18	0.35MAX	0.84MAX	φ0.40	0.25MIN	12
4-1447177-1	FS2N50.8A13 =JUMPER NOMEX	2.00	50.8	3.18	0.35MAX	0.84MAX	φ0.40	0.25MIN	13
4-1447177-2	FS2N50.8A14 =JUMPER NOMEX	2.00	50.8	3.18	0.35MAX	0.84MAX	φ0.40	0.25MIN	14
4-1447177-4	FS2N50.8A15 =JUMPER NOMEX	2.00	50.8	3.18	0.35MAX	0.84MAX	φ0.40	0.25MIN	15
4-1447177-5	FS2N50.8A16 =JUMPER NOMEX	2.00	50.8	3.18	0.35MAX	0.84MAX	φ0.40	0.25MIN	16
5-1447177-2	FS2N50.8A17 =JUMPER NOMEX	2.00	50.8	3.18	0.35MAX	0.84MAX	φ0.40	0.25MIN	17
5-1447177-6	FS2N50.8A18 =JUMPER NOMEX	2.00	50.8	3.18	0.35MAX	0.84MAX	φ0.40	0.25MIN	18
5-1447177-8	FS2N50.8A19 =JUMPER NOMEX	2.00	50.8	3.18	0.35MAX	0.84MAX	φ0.40	0.25MIN	19
6-1447177-0	FS2N50.8A2 =JUMPER NOMEX	2.00	50.8	3.18	0.35MAX	0.84MAX	φ0.40	0.25MIN	2
6-1447177-3	FS2N50.8A20PA =JUMPER NOMEX	2.00	50.8	4.00	0.35MAX	0.84MAX	φ0.40	0.25MIN	20
6-1447177-4	FS2N50.8A21 =JUMPER NOMEX	2.00	50.8	3.18	0.35MAX	0.84MAX	φ0.40	0.25MIN	21
6-1447177-6	FS2N50.8A22 =JUMPER NOMEX	2.00	50.8	3.18	0.35MAX	0.84MAX	φ0.40	0.25MIN	22
6-1447177-8	FS2N50.8A23 =JUMPER NOMEX	2.00	50.8	3.18	0.35MAX	0.84MAX	φ0.40	0.25MIN	23
6-1447177-9	FS2N50.8A24 =JUMPER NOMEX	2.00	50.8	3.18	0.35MAX	0.84MAX	φ0.40	0.25MIN	24
7-1447177-1	FS2N50.8A25 =JUMPER NOMEX	2.00	50.8	3.18	0.35MAX	0.84MAX	φ0.40	0.25MIN	25
7-1447177-2	FS2N50.8A26 =JUMPER NOMEX	2.00	50.8	3.18	0.35MAX	0.84MAX	φ0.40	0.25MIN	26
7-1447177-5	FS2N50.8A3 =JUMPER NOMEX	2.00	50.8	3.18	0.35MAX	0.84MAX	φ0.40	0.25MIN	3
7-1447177-6	FS2N50.8A30 =JUMPER NOMEX	2.00	50.8	3.18	0.35MAX	0.84MAX	φ0.40	0.25MIN	30
7-1447177-9	FS2N50.8A33 =JUMPER NOMEX	2.00	50.8	3.18	0.35MAX	0.84MAX	φ0.40	0.25MIN	33
8-1447177-4	FS2N50.8A4 =JUMPER NOMEX	2.00	50.8	3.18	0.35MAX	0.84MAX	φ0.40	0.25MIN	4
8-1447177-5	FS2N50.8A40 =JUMPER NOMEX	2.00	50.8	3.18	0.35MAX	0.84MAX	φ0.40	0.25MIN	40
8-1447177-8	FS2N50.8A5 =JUMPER NOMEX	2.00	50.8	3.18	0.35MAX	0.84MAX	φ0.40	0.25MIN	5
8-1447177-9	FS2N50.8A6 =JUMPER NOMEX	2.00	50.8	3.18	0.35MAX	0.84MAX	φ0.40	0.25MIN	6
9-1447177-1	FS2N50.8A7 =JUMPER NOMEX	2.00	50.8	3.18	0.35MAX	0.84MAX	φ0.40	0.25MIN	7
9-1447177-4	FS2N50.8A8 =JUMPER NOMEX	2.00	50.8	3.18	0.35MAX	0.84MAX	φ0.40	0.25MIN	8
9-1447177-6	FS2N50.8A9 =JUMPER NOMEX	2.00	50.8	3.18	0.35MAX	0.84MAX	φ0.40	0.25MIN	9
9-1447177-8	FS2N50.8A86 =JUMPER NOMEX	2.00	50.8	3.18	0.35MAX	0.84MAX	φ0.40	0.25MIN	6
1447178-8	FS2N63.5A12 =JUMPER NOMEX	2.00	63.5	3.18	0.35MAX	0.84MAX	φ0.40	0.25MIN	12
1447178-9	FS2N63.5A13 =JUMPER NOMEX	2.00	63.5	3.18	0.35MAX	0.84MAX	φ0.40	0.25MIN	13
1-1447178-1	FS2N63.5A15 =JUMPER NOMEX	2.00	63.5	3.18	0.35MAX	0.84MAX	φ0.40	0.25MIN	15
1-1447178-5	FS2N63.5A16PA=JUMPER (PA4.0)	2.00	63.5	4.00	0.35MAX	0.84MAX	φ0.40	0.25MIN	16
2-1447178-1	FS2N63.5A20 =JUMPER NOMEX	2.00	63.5	3.18	0.35MAX	0.84MAX	φ0.40	0.25MIN	20
2-1447178-3	FS2N63.5A21 =JUMPER NOMEX	2.00	63.5	3.18	0.35MAX	0.84MAX	φ0.40	0.25MIN	21
2-1447178-5	FS2N63.5A25 =JUMPER NOMEX	2.00	63.5	3.18	0.35MAX	0.84MAX	φ0.40	0.25MIN	25
2-1447178-8	FS2N63.5A28 =JUMPER NOMEX	2.00	63.5	3.18	0.35MAX	0.84MAX	φ0.40	0.25MIN	28
2-1447178-9	FS2N63.5A3 =JUMPER NOMEX	2.00	63.5	3.18	0.35MAX	0.84MAX	φ0.40	0.25MIN	3
3-1447178-0	FS2N63.5A30 =JUMPER NOMEX	2.00	63.5	3.18	0.35MAX	0.84MAX	φ0.40	0.25MIN	30
3-1447178-8	FS2N63.5A4 =JUMPER NOMEX	2.00	63.5	3.18	0.35MAX	0.84MAX	φ0.40	0.25MIN	4
3-1447178-9	FS2N63.5A5 =JUMPER NOMEX	2.00	63.5	3.18	0.35MAX	0.84MAX	φ0.40	0.25MIN	5
4-1447178-1	FS2N63.5A6 =JUMPER NOMEX	2.00	63.5	3.18	0.35MAX	0.84MAX	φ0.40	0.25MIN	6
4-1447178-3	FS2N63.5A8 =JUMPER NOMEX	2.00	63.5	3.18	0.35MAX	0.84MAX	φ0.40	0.25MIN	8
4-1447178-4	FS2N63.5A9 =JUMPER NOMEX	2.00	63.5	3.18	0.35MAX	0.84MAX	φ0.40	0.25MIN	9
5-1447178-0	FS2N72A25 =JUMPER NOMEX	2.00	72.0	3.18	0.35MAX	0.84MAX	φ0.40	0.25MIN	25
5-1447178-1	FS2N72A28 =JUMPER NOMEX	2.00	72.0	3.18	0.35MAX	0.84MAX	φ0.40	0.25MIN	28
5-1447178-2	FS2N72A32 =JUMPER NOMEX	2.00	72.0	3.18	0.35MAX	0.84MAX	φ0.40	0.25MIN	32
5-1447178-9	FS2N76.2A12 =JUMPER NOMEX	2.00	76.2	3.18	0.35MAX	0.84MAX	φ0.40	0.25MIN	12
6-1447178-2	FS2N76.2A14 =JUMPER NOMEX	2.00	76.2	3.18	0.35MAX	0.84MAX	φ0.40	0.25MIN	14
7-1447178-1	FS2N76.2A20 =JUMPER NOMEX	2.00	76.2	3.18	0.35MAX	0.84MAX	φ0.40	0.25MIN	20
7-1447178-2	FS2N76.2A20PA =JUMPER NOMEX	2.00	76.2	4.00	0.35MAX	0.84MAX	φ0.40	0.25MIN	20
7-1447178-4	FS2N76.2A26 =JUMPER NOMEX	2.00	76.2	3.18	0.35MAX	0.84MAX	φ0.40	0.25MIN	26
7-1447178-5	FS2N76.2A28 =JUMPER NOMEX	2.00	76.2	3.18	0.35MAX	0.84MAX	φ0.40	0.25MIN	28
8-1447178-1	FS2N76.2A4 =JUMPER NOMEX	2.00	76.2	3.18	0.35MAX	0.84MAX	φ0.40	0.25MIN	4
1376966-1	FS2N76.2A40 =JUMPER NOMEX	2.00	76.2	3.18	0.35MAX	0.84MAX	φ0.40	0.25MIN	40
8-1447178-4	FS2N76.2A5 =JUMPER NOMEX	2.00	76.2	3.18	0.35MAX	0.84MAX	φ0.40	0.25MIN	5
8-1447178-6	FS2N76.2A6 =JUMPER NOMEX	2.00	76.2	3.18	0.35MAX	0.84MAX	φ0.40	0.25MIN	6
8-1447178-7	FS2N76.2A7 =JUMPER NOMEX	2.00	76.2	3.18	0.35MAX	0.84MAX	φ0.40	0.25MIN	7
8-1447178-8	FS2N76.2A8 =JUMPER NOMEX	2.00	76.2	3.18	0.35MAX	0.84MAX	φ0.40	0.25MIN	8
9-1447178-5	FS2N80A28 =JUMPER NOMEX	2.00	80.0	3.18	0.35MAX	0.84MAX	φ0.40	0.25MIN	28
9-1447178-6	FS2N80A32 =JUMPER NOMEX	2.00	80.0	3.18	0.35MAX	0.84MAX	φ0.40	0.25MIN	32
1447179-2	FS2N88.9A10 =JUMPER NOMEX	2.00	88.9	3.18	0.35MAX	0.84MAX	φ0.40	0.25MIN	10
1447179-4	FS2N88.9A12 =JUMPER NOMEX	2.00	88.9	3.18	0.35MAX	0.84MAX	φ0.40	0.25MIN	12
1-1447179-6	FS2N88.9A20PA=JUMPER (PA4.0)	2.00	88.9	4.00	0.35MAX	0.84MAX	φ0.40	0.25MIN	20
2-1447179-6	FS2N88.9A6 =JUMPER NOMEX	2.00	88.9	3.18	0.35MAX	0.84MAX	φ0.40	0.25MIN	6
2-1447179-8	FS2N88.9A8 =JUMPER NOMEX	2.00	88.9	3.18	0.35MAX	0.84MAX	φ0.40	0.25MIN	8

THIS DRAWING IS A CONTROLLED DOCUMENT.

DWN -
CHK -
APVD -

SEE SHEET 1

TE Connectivity Ltd.

FLEXSTRIP JUMPER

108-78002

108-78002

0

A3 00779 C=1447169

CUSTOMER DRAWING

SCALE NTS

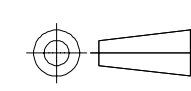
SHEET 6 OF 10

REV A18

P	LTR	DESCRIPTION	DATE	DWN	APVD
-	-	SEE SHEET 1	-	-	-

FSN SERIES NO.1

PN	Description	Pitch (A)	Tape Length (B)	Pin Length (C)	Tape Thickness (D)	Tape Thickness (E)	Pin Diameter (F)	Margin (G)	POS
6-1447182-9	FSN-1.5A-10= JUMPER NOMEX	1.27	12.7	3.18	0.35MAX	0.4MAX	φ 0.32	0.25MIN	10
7-1447182-1	FSN-1.5A-12= JUMPER NOMEX	1.27	12.7	3.18	0.35MAX	0.4MAX	φ 0.32	0.25MIN	12
3-1437127-7	FSN-1.5A-13= JUMPER NOMEX	1.27	12.7	3.18	0.35MAX	0.4MAX	φ 0.32	0.25MIN	13
4-1437127-1	FSN-1.5A-17= JUMPER NOMEX	1.27	12.7	3.18	0.35MAX	0.4MAX	φ 0.32	0.25MIN	17
4-1437127-2	FSN-1.5A-18= JUMPER NOMEX	1.27	12.7	3.18	0.35MAX	0.4MAX	φ 0.32	0.25MIN	18
7-1447182-4	FSN-1.5A-19= JUMPER NOMEX	1.27	12.7	3.18	0.35MAX	0.4MAX	φ 0.32	0.25MIN	19
4-1437127-3	FSN-1.5A-20= JUMPER NOMEX	1.27	12.7	3.18	0.35MAX	0.4MAX	φ 0.32	0.25MIN	20
7-1447182-7	FSN-1.5A-22= JUMPER NOMEX	1.27	12.7	3.18	0.35MAX	0.4MAX	φ 0.32	0.25MIN	22
4-1437127-8	FSN-1.5A-25= JUMPER NOMEX	1.27	12.7	3.18	0.35MAX	0.4MAX	φ 0.32	0.25MIN	25
8-1447182-0	FSN-1.5A-3= JUMPER NOMEX	1.27	12.7	3.18	0.35MAX	0.4MAX	φ 0.32	0.25MIN	3
5-1437127-1	FSN-1.5A-32= JUMPER NOMEX	1.27	12.7	3.18	0.35MAX	0.4MAX	φ 0.32	0.25MIN	32
5-1437127-6	FSN-1.5A-5= JUMPER NOMEX	1.27	12.7	3.18	0.35MAX	0.4MAX	φ 0.32	0.25MIN	5
8-1447182-3	FSN-1.5A-6= JUMPER NOMEX	1.27	12.7	3.18	0.35MAX	0.4MAX	φ 0.32	0.25MIN	6
8-1447182-5	FSN-1.5A-8= JUMPER NOMEX	1.27	12.7	3.18	0.35MAX	0.4MAX	φ 0.32	0.25MIN	8
1437129-6	FSN-11.5A-10= JUMPER NOMEX	1.27	38.1	3.18	0.35MAX	0.4MAX	φ 0.32	0.25MIN	10
1437129-7	FSN-11.5A-12= JUMPER NOMEX	1.27	38.1	3.18	0.35MAX	0.4MAX	φ 0.32	0.25MIN	12
8-1447182-9	FSN-11.5A-13= JUMPER NOMEX	1.27	38.1	3.18	0.35MAX	0.4MAX	φ 0.32	0.25MIN	13
1437129-8	FSN-11.5A-14= JUMPER NOMEX	1.27	38.1	3.18	0.35MAX	0.4MAX	φ 0.32	0.25MIN	14
9-1447182-0	FSN-11.5A-16= JUMPER NOMEX	1.27	38.1	3.18	0.35MAX	0.4MAX	φ 0.32	0.25MIN	16
1-1437129-1	FSN-11.5A-18= JUMPER NOMEX	1.27	38.1	3.18	0.35MAX	0.4MAX	φ 0.32	0.25MIN	18
1-1437129-3	FSN-11.5A-20= JUMPER NOMEX	1.27	38.1	3.18	0.35MAX	0.4MAX	φ 0.32	0.25MIN	20
9-1447182-4	FSN-11.5A-22= JUMPER NOMEX	1.27	38.1	3.18	0.35MAX	0.4MAX	φ 0.32	0.25MIN	22
9-1447182-8	FSN-11.5A-25= JUMPER NOMEX	1.27	38.1	3.18	0.35MAX	0.4MAX	φ 0.32	0.25MIN	25
1447183-6	FSN-11.5A-4= JUMPER NOMEX	1.27	38.1	3.18	0.35MAX	0.4MAX	φ 0.32	0.25MIN	4
2-1437129-2	FSN-11.5A-5= JUMPER NOMEX	1.27	38.1	3.18	0.35MAX	0.4MAX	φ 0.32	0.25MIN	5
2-1437129-5	FSN-11.5A-7= JUMPER NOMEX	1.27	38.1	3.18	0.35MAX	0.4MAX	φ 0.32	0.25MIN	7
2-1437129-6	FSN-11.5A-8= JUMPER NOMEX	1.27	38.1	3.18	0.35MAX	0.4MAX	φ 0.32	0.25MIN	8
2-1437129-7	FSN-11.5A-9= JUMPER NOMEX	1.27	38.1	3.18	0.35MAX	0.4MAX	φ 0.32	0.25MIN	9
3-1437130-5	FSN-11A-7= JUMPER NOMEX	1.27	38.1	3.18	0.35MAX	0.4MAX	φ 0.32	0.25MIN	7
1437130-4	FSN-11A-10= JUMPER NOMEX	1.27	25.4	3.18	0.35MAX	0.4MAX	φ 0.32	0.25MIN	10
1437130-6	FSN-11A-11= NOMEX FS STD	1.27	25.4	3.18	0.35MAX	0.4MAX	φ 0.32	0.25MIN	11
1437130-8	FSN-11A-12= JUMPER NOMEX	1.27	25.4	3.18	0.35MAX	0.4MAX	φ 0.32	0.25MIN	12
1-1437130-1	FSN-11A-14= JUMPER NOMEX	1.27	25.4	3.18	0.35MAX	0.4MAX	φ 0.32	0.25MIN	14
1-1437130-3	FSN-11A-15= JUMPER NOMEX	1.27	25.4	3.18	0.35MAX	0.4MAX	φ 0.32	0.25MIN	15
1-1437130-4	FSN-11A-16= JUMPER NOMEX	1.27	25.4	3.18	0.35MAX	0.4MAX	φ 0.32	0.25MIN	16
1-1437130-6	FSN-11A-18= JUMPER NOMEX	1.27	25.4	3.18	0.35MAX	0.4MAX	φ 0.32	0.25MIN	18
1-1437130-9	FSN-11A-20= JUMPER NOMEX	1.27	25.4	3.18	0.35MAX	0.4MAX	φ 0.32	0.25MIN	20
2-1437130-1	FSN-11A-22= JUMPER NOMEX	1.27	25.4	3.18	0.35MAX	0.4MAX	φ 0.32	0.25MIN	22
2-1437130-2	FSN-11A-23= JUMPER NOMEX	1.27	25.4	3.18	0.35MAX	0.4MAX	φ 0.32	0.25MIN	23
2-1437130-3	FSN-11A-24= JUMPER NOMEX	1.27	25.4	3.18	0.35MAX	0.4MAX	φ 0.32	0.25MIN	24
2-1437130-5	FSN-11A-26= JUMPER NOMEX	1.27	25.4	3.18	0.35MAX	0.4MAX	φ 0.32	0.25MIN	26
1-1447183-7	FSN-11A-27= JUMPER NOMEX	1.27	25.4	3.18	0.35MAX	0.4MAX	φ 0.32	0.25MIN	27
2-1437130-6	FSN-11A-28= JUMPER NOMEX	1.27	25.4	3.18	0.35MAX	0.4MAX	φ 0.32	0.25MIN	28
2-1437130-9	FSN-11A-30= JUMPER NOMEX	1.27	25.4	3.18	0.35MAX	0.4MAX	φ 0.32	0.25MIN	30
3-1437130-3	FSN-11A-5= JUMPER NOMEX	1.27	25.4	3.18	0.35MAX	0.4MAX	φ 0.32	0.25MIN	5
3-1437130-4	FSN-11A-6= JUMPER NOMEX	1.27	25.4	3.18	0.35MAX	0.4MAX	φ 0.32	0.25MIN	6
3-1437130-6	FSN-11A-8= JUMPER NOMEX	1.27	25.4	3.18	0.35MAX	0.4MAX	φ 0.32	0.25MIN	8
1-1447183-4	FSN-11A-19-1= JUMPER NOMEX (PL2.5)	1.27	25.4	2.50	0.35MAX	0.4MAX	φ 0.32	0.25MIN	19
1-1447183-6	FSN-11A-24-1= JUMPER NOMEX (PL2.5)	1.27	25.4	2.50	0.35MAX	0.4MAX	φ 0.32	0.25MIN	24
2-1447183-1	FSN-11A-8PL2.5= JUMPER NOMEX	1.27	25.4	2.50	0.35MAX	0.4MAX	φ 0.32	0.25MIN	8
4-1437131-7	FSN-12.5A-10= JUMPER NOMEX	1.27	63.5	3.18	0.35MAX	0.4MAX	φ 0.32	0.25MIN	10
2-1447183-7	FSN-12.5A-13= JUMPER NOMEX	1.27	63.5	3.18	0.35MAX	0.4MAX	φ 0.32	0.25MIN	13
1-1437131-1	FSN-12.5A-20= JUMPER NOMEX	1.27	63.5	3.18	0.35MAX	0.4MAX	φ 0.32	0.25MIN	20
1-1437131-5	FSN-12.5A-30= JUMPER NOMEX	1.27	63.5	3.18	0.35MAX	0.4MAX	φ 0.32	0.25MIN	30
5-1437131-2	FSN-12A-14= JUMPER NOMEX	1.27	50.8	3.18	0.35MAX	0.4MAX	φ 0.32	0.25MIN	14
5-1437131-3	FSN-12A-15= JUMPER NOMEX	1.27	50.8	3.18	0.35MAX	0.4MAX	φ 0.32	0.25MIN	15
5-1437131-5	FSN-12A-16= JUMPER NOMEX	1.27	50.8	3.18	0.35MAX	0.4MAX	φ 0.32	0.25MIN	16
6-1437131-0	FSN-12A-21= JUMPER NOMEX	1.27	50.8	3.18	0.35MAX	0.4MAX	φ 0.32	0.25MIN	21
6-1437131-4	FSN-12A-25= JUMPER NOMEX	1.27	50.8	3.18	0.35MAX	0.4MAX	φ 0.32	0.25MIN	25
6-1437131-8	FSN-12A-30= JUMPER NOMEX	1.27	50.8	3.18	0.35MAX	0.4MAX	φ 0.32	0.25MIN	30
2-1437161-8	FSN-12A-4= JUMPER NOMEX	1.27	50.8	3.18	0.35MAX	0.4MAX	φ 0.32	0.25MIN	4
7-1437131-1	FSN-12A-5= JUMPER NOMEX	1.27	50.8	3.18	0.35MAX	0.4MAX	φ 0.32	0.25MIN	5
7-1437131-3	FSN-12A-6= JUMPER NOMEX	1.27	50.8	3.18	0.35MAX	0.4MAX	φ 0.32	0.25MIN	6
7-1437131-5	FSN-12A-8= JUMPER NOMEX	1.27	50.8	3.18	0.35MAX	0.4MAX	φ 0.32	0.25MIN	8
4-1447183-3	FSN-13.5A-24= JUMPER NOMEX	1.27	88.9	3.18	0.35MAX	0.4MAX	φ 0.32	0.25MIN	24
1-1437133-9	FSN-14A-10= JUMPER NOMEX	1.27	101.6	3.18	0.35MAX	0.4MAX	φ 0.32	0.25MIN	10
4-1447183-9	FSN-14A-16= JUMPER NOMEX	1.27	101.6	3.18	0.35MAX	0.4MAX	φ 0.32	0.25MIN	16
6-1447183-1	FSN-15A-25= JUMPER NOMEX	1.27	127.0	3.18	0.35MAX	0.4MAX	φ 0.32	0.25MIN	25

THIS DRAWING IS A CONTROLLED DOCUMENT.		DWN	-
DIMENSIONS: mm		CHK	-
		APVD	-
TOLERANCES UNLESS OTHERWISE SPECIFIED:		SEE SHEET 1	
0 PLC ± -		NAME	
1 PLC ± -		FLEXSTRIP JUMPER	
2 PLC ± -		SIZE	
3 PLC ± -		CAGE CODE	
4 PLC ± -		DRAWING NO	
ANGLES ± -		RESTRICTED TO	
MATERIAL		WEIGHT	
FINISH		0	
CUSTOMER DRAWING		A3 00779	
SCALE		G=1447169	
SHEET		7 of 10	
REV		A18	



P	LTR	DESCRIPTION	DATE	DWN	APVD
	-	SEE SHEET 1		-	-

FSN SERIES NO.2

SEE SPECIAL PROCESS

SEE SPECIAL PROCESS

SUPERCEDED BY 1-1474644-8

PIN	Description	Pitch (A)	Tape Length (B)	Pin Length (C)	Tape Thickness (D)	Tape Thickness (E)	Pin Diameter (F)	Margin (G)	POS
7-1447183-3	FSN-2.5A-10=JUMPER NOMEX	2.54	12.7	3.18	0.35MAX	0.84MAX	0.51	0.25MIN	10
7-1447183-5	FSN-2.5A-11=JUMPER NOMEX	2.54	12.7	3.18	0.35MAX	0.84MAX	0.51	0.25MIN	11
7-1447183-6	FSN-2.5A-11-1(SPECIAL BENDING)	2.54	12.7	3.18	0.35MAX	0.84MAX	0.51	0.25MIN	11
7-1447183-7	FSN-2.5A-12=JUMPER NOMEX	2.54	12.7	3.18	0.35MAX	0.84MAX	0.51	0.25MIN	12
7-1447183-8	FSN-2.5A-13=JUMPER NOMEX	2.54	12.7	3.18	0.35MAX	0.84MAX	0.51	0.25MIN	13
8-1447183-0	FSN-2.5A-14=JUMPER NOMEX	2.54	12.7	3.18	0.35MAX	0.84MAX	0.51	0.25MIN	14
4-1437134-9	FSN-2.5A-15= JUMPER NOMEX	2.54	12.7	3.18	0.35MAX	0.84MAX	0.51	0.25MIN	15
8-1447183-2	FSN-2.5A-16=JUMPER NOMEX	2.54	12.7	3.18	0.35MAX	0.84MAX	0.51	0.25MIN	16
8-1447183-4	FSN-2.5A-18=JUMPER NOMEX	2.54	12.7	3.18	0.35MAX	0.84MAX	0.51	0.25MIN	18
8-1447183-5	FSN-2.5A-20=JUMPER NOMEX	2.54	12.7	3.18	0.35MAX	0.84MAX	0.51	0.25MIN	20
8-1447183-6	FSN-2.5A-20=JUMPER NOMEX	2.54	12.7	3.18	0.35MAX	0.84MAX	0.51	0.25MIN	20
5-1437134-7	FSN-2.5A-22= JUMPER NOMEX	2.54	12.7	3.18	0.35MAX	0.84MAX	0.51	0.25MIN	22
6-1437134-2	FSN-2.5A-3=JUMPER NOMEX	2.54	12.7	3.18	0.35MAX	0.84MAX	0.51	0.25MIN	3
9-1447183-2	FSN-2.5A-27= JUMPER NOMEX	2.54	12.7	3.18	0.35MAX	0.84MAX	0.51	0.25MIN	27
6-1437134-3	FSN-2.5A-30= JUMPER NOMEX	2.54	12.7	3.18	0.35MAX	0.84MAX	0.51	0.25MIN	30
9-1447183-6	FSN-2.5A-4=JUMPER NOMEX	2.54	12.7	3.18	0.35MAX	0.84MAX	0.51	0.25MIN	4
9-1447183-8	FSN-2.5A-5=JUMPER NOMEX	2.54	12.7	3.18	0.35MAX	0.84MAX	0.51	0.25MIN	5
1447184-1	FSN-2.5A-6=JUMPER NOMEX	2.54	12.7	3.18	0.35MAX	0.84MAX	0.51	0.25MIN	6
1447184-3	FSN-2.5A-7=JUMPER NOMEX	2.54	12.7	3.18	0.35MAX	0.84MAX	0.51	0.25MIN	7
1447184-7	FSN-2.5A-9=JUMPER NOMEX	2.54	12.7	3.18	0.35MAX	0.84MAX	0.51	0.25MIN	9
3-1437137-4	FSN-21.5A-10= JUMPER NOMEX	2.54	38.1	3.18	0.35MAX	0.84MAX	0.51	0.25MIN	10
3-1437137-6	FSN-21.5A-11= JUMPER NOMEX	2.54	38.1	3.18	0.35MAX	0.84MAX	0.51	0.25MIN	11
3-1437137-9	FSN-21.5A-12= JUMPER NOMEX	2.54	38.1	3.18	0.35MAX	0.84MAX	0.51	0.25MIN	12
4-1437137-1	FSN-21.5A-13= JUMPER NOMEX	2.54	38.1	3.18	0.35MAX	0.84MAX	0.51	0.25MIN	13
4-1437137-2	FSN-21.5A-14= JUMPER NOMEX	2.54	38.1	3.18	0.35MAX	0.84MAX	0.51	0.25MIN	14
4-1437137-3	FSN-21.5A-15= JUMPER NOMEX	2.54	38.1	3.18	0.35MAX	0.84MAX	0.51	0.25MIN	15
3-1447184-5	FSN-21.5A-16=JUMPER NOMEX	2.54	38.1	3.18	0.35MAX	0.84MAX	0.51	0.25MIN	16
4-1437137-6	FSN-21.5A-17= JUMPER NOMEX	2.54	38.1	3.18	0.35MAX	0.84MAX	0.51	0.25MIN	17
4-1447184-0	FSN-21.5A-18=JUMPER NOMEX	2.54	38.1	3.18	0.35MAX	0.84MAX	0.51	0.25MIN	18
4-1437137-8	FSN-21.5A-19=JUMPER NOMEX	2.54	38.1	3.18	0.35MAX	0.84MAX	0.51	0.25MIN	19
4-1437137-9	FSN-21.5A-2= JUMPER NOMEX	2.54	38.1	3.18	0.35MAX	0.84MAX	0.51	0.25MIN	2
4-1447184-2	FSN-21.5A-20=JUMPER NOMEX	2.54	38.1	3.18	0.35MAX	0.84MAX	0.51	0.25MIN	20
5-1437137-4	FSN-21.5A-22= JUMPER NOMEX	2.54	38.1	3.18	0.35MAX	0.84MAX	0.51	0.25MIN	22
5-1437137-5	FSN-21.5A-23= JUMPER NOMEX	2.54	38.1	3.18	0.35MAX	0.84MAX	0.51	0.25MIN	23
5-1437137-7	FSN-21.5A-24= JUMPER NOMEX	2.54	38.1	3.18	0.35MAX	0.84MAX	0.51	0.25MIN	24
5-1437137-8	FSN-21.5A-25= JUMPER NOMEX	2.54	38.1	3.18	0.35MAX	0.84MAX	0.51	0.25MIN	25
5-1437137-9	FSN-21.5A-26= JUMPER NOMEX	2.54	38.1	3.18	0.35MAX	0.84MAX	0.51	0.25MIN	26
5-1447184-0	FSN-21.5A-27= JUMPER NOMEX	2.54	38.1	3.18	0.35MAX	0.84MAX	0.51	0.25MIN	27
5-1447184-6	FSN-21.5A-3=JUMPER NOMEX	2.54	38.1	3.18	0.35MAX	0.84MAX	0.51	0.25MIN	3
6-1437137-3	FSN-21.5A-30=JUMPER NOMEX	2.54	38.1	3.18	0.35MAX	0.84MAX	0.51	0.25MIN	30
6-1437137-4	FSN-21.5A-32=JUMPER NOMEX	2.54	38.1	3.18	0.35MAX	0.84MAX	0.51	0.25MIN	32
6-1447184-2	FSN-21.5A-33=JUMPER NOMEX	2.54	38.1	3.18	0.35MAX	0.84MAX	0.51	0.25MIN	33
6-1437137-7	FSN-21.5A-4= JUMPER NOMEX	2.54	38.1	3.18	0.35MAX	0.84MAX	0.51	0.25MIN	4
6-1447184-8	FSN-21.5A-5= JUMPER NOMEX	2.54	38.1	3.18	0.35MAX	0.84MAX	0.51	0.25MIN	5
7-1437137-2	FSN-21.5A-6= JUMPER NOMEX	2.54	38.1	3.18	0.35MAX	0.84MAX	0.51	0.25MIN	6
7-1447184-3	FSN-21.5A-7=JUMPER NOMEX	2.54	38.1	3.18	0.35MAX	0.84MAX	0.51	0.25MIN	7
7-1447184-8	FSN-21.5A-8= JUMPER NOMEX	2.54	38.1	3.18	0.35MAX	0.84MAX	0.51	0.25MIN	8
7-1437137-8	FSN-21.5A-9= JUMPER NOMEX	2.54	38.1	3.18	0.35MAX	0.84MAX	0.51	0.25MIN	9
9-1437137-4	FSN-21.5B-6= JUMPER NOMEX	2.54	38.1	3.18	0.35MAX	0.84MAX	0.51	0.25MIN	6
8-1447184-6	FSN-21.5B-9=JUMPER NOMEX	2.54	38.1	3.18	0.35MAX	0.84MAX	0.51	0.25MIN	9
6-1437139-7	FSN-21A-10= JUMPER NOMEX	2.54	25.4	3.18	0.35MAX	0.84MAX	0.51	0.25MIN	10
6-1437139-9	FSN-21A-11= JUMPER NOMEX	2.54	25.4	3.18	0.35MAX	0.84MAX	0.51	0.25MIN	11
1447185-6	FSN-21A-11= JUMPER NOMEX PL4.1	2.54	25.4	4.10	0.35MAX	0.84MAX	0.51	0.25MIN	11
7-1437139-1	FSN-21A-12= JUMPER NOMEX	2.54	25.4	3.18	0.35MAX	0.84MAX	0.51	0.25MIN	12
7-1437139-3	FSN-21A-13= JUMPER NOMEX	2.54	25.4	3.18	0.35MAX	0.84MAX	0.51	0.25MIN	13
7-1437139-4	FSN-21A-14= JUMPER NOMEX	2.54	25.4	3.18	0.35MAX	0.84MAX	0.51	0.25MIN	14
7-1437139-7	FSN-21A-15= JUMPER NOMEX	2.54	25.4	3.18	0.35MAX	0.84MAX	0.51	0.25MIN	15
7-1437139-9	FSN-21A-16= JUMPER NOMEX	2.54	25.4	3.18	0.35MAX	0.84MAX	0.51	0.25MIN	16
8-1437139-0	FSN-21A-17= JUMPER NOMEX	2.54	25.4	3.18	0.35MAX	0.84MAX	0.51	0.25MIN	17
8-1437139-1	FSN-21A-18= JUMPER NOMEX	2.54	25.4	3.18	0.35MAX	0.84MAX	0.51	0.25MIN	18
8-1437139-2	FSN-21A-19= JUMPER NOMEX	2.54	25.4	3.18	0.35MAX	0.84MAX	0.51	0.25MIN	19
8-1437139-3	FSN-21A-2= JUMPER NOMEX	2.54	25.4	3.18	0.35MAX	0.84MAX	0.51	0.25MIN	2
8-1437139-4	FSN-21A-20= JUMPER NOMEX	2.54	25.4	3.18	0.35MAX	0.84MAX	0.51	0.25MIN	20
2-1447185-7	FSN-21A-20FV=JUMPER FORMING	2.54	25.4	3.18	0.35MAX	0.84MAX	0.51	0.25MIN	20
8-1437139-5	FSN-21A-21= JUMPER NOMEX	2.54	25.4	3.18	0.35MAX	0.84MAX	0.51	0.25MIN	21
8-1437139-6	FSN-21A-22= JUMPER NOMEX	2.54	25.4	3.18	0.35MAX	0.84MAX	0.51	0.25MIN	22
8-1437139-9	FSN-21A-25= JUMPER NOMEX	2.54	25.4	3.18	0.35MAX	0.84MAX	0.51	0.25MIN	25
9-1437139-0	FSN-21A-26= JUMPER NOMEX	2.54	25.4	3.18	0.35MAX	0.84MAX	0.51	0.25MIN	26
9-1437139-1	FSN-21A-27= JUMPER NOMEX	2.54	25.4	3.18	0.35MAX	0.84MAX	0.51	0.25MIN	27
9-1437139-2	FSN-21A-28= JUMPER NOMEX	2.54	25.4	3.18	0.35MAX	0.84MAX	0.51	0.25MIN	28
9-1437139-7	FSN-21A-3= JUMPER NOMEX	2.54	25.4	3.18	0.35MAX	0.84MAX	0.51	0.25MIN	3
9-1437139-8	FSN-21A-30= JUMPER NOMEX	2.54	25.4	3.18	0.35MAX	0.84MAX	0.51	0.25MIN	30
4-1447185-1	FSN-21A-34= JUMPER NOMEX	2.54	25.4	3.18	0.35MAX	0.84MAX	0.51	0.25MIN	34
1437140-9	FSN-21A-4= JUMPER NOMEX	2.54	25.4	3.18	0.35MAX	0.84MAX	0.51	0.25MIN	4
1-1437140-1	FSN-21A-5= JUMPER NOMEX	2.54	25.4	3.18	0.35MAX	0.84MAX	0.51	0.25MIN	5
1-1437140-4	FSN-21A-6= JUMPER NOMEX	2.54	25.4	3.18	0.35MAX	0.84MAX	0.51	0.25MIN	6
1-1437140-6	FSN-21A-7= JUMPER NOMEX	2.54	25.4	3.18	0.35MAX	0.84MAX	0.51	0.25MIN	7
1-1437140-9	FSN-21A-7= JUMPER NOMEX	2.54	25.4	3.18	0.35MAX	0.84MAX	0.51	0.25MIN	8
2-1437140-1	FSN-21A-9= JUMPER NOMEX	2.54	25.4	3.18	0.35MAX	0.84MAX	0.51	0.25MIN	9
5-1447185-6	FSN-21A-9PA = JUMPER (PA4.0)	2.54	25.4	4.00	0.35MAX	0.84MAX	0.51	0.25MIN	9
5-1447185-9	FSN-21A-14= JUMPER NOMEX	2.54	25.4	3.18	0.35MAX	0.84MAX	0.51	0.25MIN	14
6-1447185-2	FSN-21A-5= JUMPER NOMEX	2.54	25.4	3.18	0.35MAX	0.84MAX	0.51	0.25MIN	5

THIS DRAWING IS A CONTROLLED DOCUMENT.

DIMENSIONS: mm	TOLERANCES UNLESS OTHERWISE SPECIFIED:	DWN	CHK	APVD	NAME
	0 PLC ± - 1 PLC ± - 2 PLC ± - 3 PLC ± - 4 PLC ± - ANGLES ± -				108-78002
MATERIAL	FINISH	SEE SHEET 1		PRODUCT SPEC	
				APPLICATION SPEC	
		WEIGHT	SIZE	CAGE CODE	DRAWING NO
		0	A3	00779	C-1447169
CUSTOMER DRAWING					RESTRICTED TO
					SCALE NTS
					SHEET 8 of 10
					REV A18

TE Connectivity Ltd.

FLEXSTRIP JUMPER

-

P	LTR	DESCRIPTION	DATE	DWN	APVD
-	-	SEE SHEET 1	-	-	-

FSN SERIES NO.3

SEE SPECIAL PROCESS

P/N	Description	Pitch (A)	Tape Length (B)	Pin Length (C)	Tape Thickness (D)	Tape Thickness (E)	Pin Diameter (F)	Margin (G)	POS
2-1437141-9	FSN-22.5A-10= JUMPER NOMEX	2.54	63.5	3.18	0.35MAX	0.84MAX	φ0.51	0.25MIN	10
3-1437141-0	FSN-22.5A-11= JUMPER NOMEX	2.54	63.5	3.18	0.35MAX	0.84MAX	φ0.51	0.25MIN	11
3-1437141-1	FSN-22.5A-12= JUMPER NOMEX	2.54	63.5	3.18	0.35MAX	0.84MAX	φ0.51	0.25MIN	12
7-1447185-4	FSN-22.5A-14PA JUMPER NOMEX	2.54	63.5	4.00	0.35MAX	0.84MAX	φ0.51	0.25MIN	14
3-1437141-4	FSN-22.5A-15= JUMPER NOMEX	2.54	63.5	3.18	0.35MAX	0.84MAX	φ0.51	0.25MIN	15
3-1437141-5	FSN-22.5A-16= JUMPER NOMEX	2.54	63.5	3.18	0.35MAX	0.84MAX	φ0.51	0.25MIN	16
3-1437141-7	FSN-22.5A-18= JUMPER NOMEX	2.54	63.5	3.18	0.35MAX	0.84MAX	φ0.51	0.25MIN	18
8-1447185-8	FSN-22.5A-19= JUMPER NOMEX	2.54	63.5	3.18	0.35MAX	0.84MAX	φ0.51	0.25MIN	19
3-1437141-9	FSN-22.5A-20= JUMPER NOMEX	2.54	63.5	3.18	0.35MAX	0.84MAX	φ0.51	0.25MIN	20
4-1437141-2	FSN-22.5A-22= JUMPER NOMEX	2.54	63.5	3.18	0.35MAX	0.84MAX	φ0.51	0.25MIN	22
4-1437141-5	FSN-22.5A-23= JUMPER NOMEX	2.54	63.5	3.18	0.35MAX	0.84MAX	φ0.51	0.25MIN	23
9-1447185-6	FSN-22.5A-25= JUMPER NOMEX	2.54	63.5	3.18	0.35MAX	0.84MAX	φ0.51	0.25MIN	25
1447186-1	FSN-22.5A-26= JUMPER NOMEX	2.54	63.5	3.18	0.35MAX	0.84MAX	φ0.51	0.25MIN	26
4-1437141-9	FSN-22.5A-3= JUMPER NOMEX	2.54	63.5	3.18	0.35MAX	0.84MAX	φ0.51	0.25MIN	3
1447186-6	FSN-22.5A-30= JUMPER NOMEX	2.54	63.5	3.18	0.35MAX	0.84MAX	φ0.51	0.25MIN	30
1447186-8	FSN-22.5A-31= JUMPER NOMEX	2.54	63.5	3.18	0.35MAX	0.84MAX	φ0.51	0.25MIN	31
5-1437141-1	FSN-22.5A-4= JUMPER NOMEX	2.54	63.5	3.18	0.35MAX	0.84MAX	φ0.51	0.25MIN	4
5-1437141-2	FSN-22.5A-5= JUMPER NOMEX	2.54	63.5	3.18	0.35MAX	0.84MAX	φ0.51	0.25MIN	5
5-1437141-3	FSN-22.5A-6= JUMPER NOMEX	2.54	63.5	3.18	0.35MAX	0.84MAX	φ0.51	0.25MIN	6
5-1437141-4	FSN-22.5A-7= JUMPER NOMEX	2.54	63.5	3.18	0.35MAX	0.84MAX	φ0.51	0.25MIN	7
5-1437141-5	FSN-22.5A-8= JUMPER NOMEX	2.54	63.5	3.18	0.35MAX	0.84MAX	φ0.51	0.25MIN	8
5-1437141-6	FSN-22.5A-9= JUMPER NOMEX	2.54	63.5	3.18	0.35MAX	0.84MAX	φ0.51	0.25MIN	9
2-1437142-8	FSN-22A-10= JUMPER NOMEX	2.54	50.8	3.18	0.35MAX	0.84MAX	φ0.51	0.25MIN	10
3-1437142-0	FSN-22A-11= JUMPER NOMEX	2.54	50.8	3.18	0.35MAX	0.84MAX	φ0.51	0.25MIN	11
3-1437142-2	FSN-22A-12= JUMPER NOMEX	2.54	50.8	3.18	0.35MAX	0.84MAX	φ0.51	0.25MIN	12
3-1437142-3	FSN-22A-13= JUMPER NOMEX	2.54	50.8	3.18	0.35MAX	0.84MAX	φ0.51	0.25MIN	13
3-1437142-4	FSN-22A-14= JUMPER NOMEX	2.54	50.8	3.18	0.35MAX	0.84MAX	φ0.51	0.25MIN	14
3-1437186-7	FSN-22A-14PA= JUMPER (PA4.0)	2.54	50.8	3.18	0.35MAX	0.84MAX	φ0.51	0.25MIN	14
3-1437142-5	FSN-22A-15= JUMPER NOMEX	2.54	50.8	3.18	0.35MAX	0.84MAX	φ0.51	0.25MIN	15
3-1437142-6	FSN-22A-16= JUMPER NOMEX	2.54	50.8	3.18	0.35MAX	0.84MAX	φ0.51	0.25MIN	16
3-1437142-7	FSN-22A-17= JUMPER NOMEX	2.54	50.8	3.18	0.35MAX	0.84MAX	φ0.51	0.25MIN	17
3-1437142-8	FSN-22A-18= JUMPER NOMEX	2.54	50.8	3.18	0.35MAX	0.84MAX	φ0.51	0.25MIN	18
3-1437142-9	FSN-22A-19= JUMPER NOMEX	2.54	50.8	3.18	0.35MAX	0.84MAX	φ0.51	0.25MIN	19
4-1437142-0	FSN-22A-2= JUMPER NOMEX	2.54	50.8	3.18	0.35MAX	0.84MAX	φ0.51	0.25MIN	2
4-1437142-1	FSN-22A-20= JUMPER NOMEX	2.54	50.8	3.18	0.35MAX	0.84MAX	φ0.51	0.25MIN	20
5-1447186-8	FSN-22A-20PA= JUMPER (PA4.0)	2.54	50.8	3.18	0.35MAX	0.84MAX	φ0.51	0.25MIN	20
5-1447186-7	FSN-22A-20= JUMPER FORMING	2.54	50.8	3.18	0.35MAX	0.84MAX	φ0.51	0.25MIN	20
4-1437142-3	FSN-22A-21= JUMPER NOMEX	2.54	50.8	3.18	0.35MAX	0.84MAX	φ0.51	0.25MIN	21
6-1447186-5	FSN-22A-21PA= JUMPER (PA4.0)	2.54	50.8	3.18	0.35MAX	0.84MAX	φ0.51	0.25MIN	21
4-1437142-4	FSN-22A-22= JUMPER NOMEX	2.54	50.8	3.18	0.35MAX	0.84MAX	φ0.51	0.25MIN	22
4-1437142-5	FSN-22A-23= JUMPER NOMEX	2.54	50.8	3.18	0.35MAX	0.84MAX	φ0.51	0.25MIN	23
4-1437142-6	FSN-22A-24= JUMPER NOMEX	2.54	50.8	3.18	0.35MAX	0.84MAX	φ0.51	0.25MIN	24
4-1437142-9	FSN-22A-25= JUMPER NOMEX	2.54	50.8	3.18	0.35MAX	0.84MAX	φ0.51	0.25MIN	25
5-1437142-0	FSN-22A-26= JUMPER NOMEX	2.54	50.8	3.18	0.35MAX	0.84MAX	φ0.51	0.25MIN	26
7-1447186-7	FSN-22A-28= JUMPER NOMEX	2.54	50.8	3.18	0.35MAX	0.84MAX	φ0.51	0.25MIN	28
5-1437142-2	FSN-22A-3= JUMPER NOMEX	2.54	50.8	3.18	0.35MAX	0.84MAX	φ0.51	0.25MIN	3
5-1437142-3	FSN-22A-30= JUMPER NOMEX	2.54	50.8	3.18	0.35MAX	0.84MAX	φ0.51	0.25MIN	30
8-1447186-5	FSN-22A-31= JUMPER NOMEX	2.54	50.8	3.18	0.35MAX	0.84MAX	φ0.51	0.25MIN	31
8-1447186-8	FSN-22A-32PA= JUMPER (PA4.0)	2.54	50.8	3.18	0.35MAX	0.84MAX	φ0.51	0.25MIN	32
9-1447186-0	FSN-22A-34= JUMPER NOMEX	2.54	50.8	3.18	0.35MAX	0.84MAX	φ0.51	0.25MIN	34
9-1447186-1	FSN-22A-37= JUMPER NOMEX	2.54	50.8	3.18	0.35MAX	0.84MAX	φ0.51	0.25MIN	37
5-1437142-9	FSN-22A-4= JUMPER NOMEX	2.54	50.8	3.18	0.35MAX	0.84MAX	φ0.51	0.25MIN	4
9-1447186-7	FSN-22A-4PA= JUMPER (PA4.0)	2.54	50.8	4.00	0.35MAX	0.84MAX	φ0.51	0.25MIN	4
6-1437142-2	FSN-22A-5= JUMPER NOMEX	2.54	50.8	3.18	0.35MAX	0.84MAX	φ0.51	0.25MIN	5
1447187-1	FSN-22A-5PA= JUMPER (PA4.0)	2.54	50.8	4.00	0.35MAX	0.84MAX	φ0.51	0.25MIN	5
6-1437142-7	FSN-22A-6= JUMPER NOMEX	2.54	50.8	3.18	0.35MAX	0.84MAX	φ0.51	0.25MIN	6
6-1437142-9	FSN-22A-7= JUMPER NOMEX	2.54	50.8	3.18	0.35MAX	0.84MAX	φ0.51	0.25MIN	7
7-1437142-2	FSN-22A-8= JUMPER NOMEX	2.54	50.8	3.18	0.35MAX	0.84MAX	φ0.51	0.25MIN	8
1447178-7	FSN-22A-8PA= JUMPER NOMEX	2.54	50.8	4.00	0.35MAX	0.84MAX	φ0.51	0.25MIN	8
7-1437142-5	FSN-22A-9= JUMPER NOMEX	2.54	50.8	3.18	0.35MAX	0.84MAX	φ0.51	0.25MIN	9
1-1447187-3	FSN-22AB-8= JUMPER NOMEX	2.54	50.8	3.18	0.35MAX	0.84MAX	φ0.51	0.25MIN	8
1437143-2	FSN-22B-20= JUMPER NOMEX	2.54	50.8	3.18	0.35MAX	0.84MAX	φ0.51	0.25MIN	20
6-1437143-4	FSN-23.5A-10= JUMPER NOMEX	2.54	88.9	3.18	0.35MAX	0.84MAX	φ0.51	0.25MIN	10
6-1437143-5	FSN-23.5A-11= JUMPER NOMEX	2.54	88.9	3.18	0.35MAX	0.84MAX	φ0.51	0.25MIN	11
6-1437143-6	FSN-23.5A-12= JUMPER NOMEX	2.54	88.9	3.18	0.35MAX	0.84MAX	φ0.51	0.25MIN	12
6-1437143-8	FSN-23.5A-14= JUMPER NOMEX	2.54	88.9	3.18	0.35MAX	0.84MAX	φ0.51	0.25MIN	14
2069384-1	FSN-23.5A-21= JUMPER NOMEX	2.54	88.9	3.18	0.35MAX	0.84MAX	φ0.51	0.25MIN	21

THIS DRAWING IS A CONTROLLED DOCUMENT.

DWN -
CHK -
APVD -

SEE SHEET 1

NAME: FLEXSTRIP JUMPER

PRODUCT SPEC: 108-78002

APPLICATION SPEC: -

WEIGHT: 0

CUSTOMER DRAWING

SCALE: NTS

SHEET: 9 of 10

REV: A18


RESTRICTED TO: -

SIZE: A3

CAGE CODE: 00779

DRAWING NO: C=1447169

TE Connectivity Ltd.



P	LTR	DESCRIPTION	DATE	DWN	APVD
-	-	SEE SHEET 1	-	-	-

FSN SERIES NO.4

P/N	Description	Pitch (A)	Tape Length (B)	Pin Length (C)	Tape Thickness (D)	Tape Thickness (E)	Pin Diameter (F)	Margin (G)	POS
8-1437143-5	FSN-23A-8= JUMPER NOMEX	2.54	88.9	3.18	0.35MAX	0.84MAX	φ0.51	0.25MIN	8
8-1437143-6	FSN-23A-9= JUMPER NOMEX	2.54	88.9	3.18	0.35MAX	0.84MAX	φ0.51	0.25MIN	9
2-1437144-5	FSN-23A-10= JUMPER NOMEX	2.54	76.2	3.18	0.35MAX	0.84MAX	φ0.51	0.25MIN	10
2-1437144-7	FSN-23A-11= JUMPER NOMEX	2.54	76.2	3.18	0.35MAX	0.84MAX	φ0.51	0.25MIN	11
3-1437144-0	FSN-23A-13= JUMPER NOMEX	2.54	76.2	3.18	0.35MAX	0.84MAX	φ0.51	0.25MIN	13
3-1437144-1	FSN-23A-14= JUMPER NOMEX	2.54	76.2	3.18	0.35MAX	0.84MAX	φ0.51	0.25MIN	14
3-1437144-3	FSN-23A-15= JUMPER NOMEX	2.54	76.2	3.18	0.35MAX	0.84MAX	φ0.51	0.25MIN	15
3-1437144-4	FSN-23A-16= JUMPER NOMEX	2.54	76.2	3.18	0.35MAX	0.84MAX	φ0.51	0.25MIN	16
3-1437144-5	FSN-23A-17= JUMPER NOMEX	2.54	76.2	3.18	0.35MAX	0.84MAX	φ0.51	0.25MIN	17
3-1437144-6	FSN-23A-18= JUMPER NOMEX	2.54	76.2	3.18	0.35MAX	0.84MAX	φ0.51	0.25MIN	18
4-1447187-2	FSN-23A-18-3.5=JUMPER (PL3.5)	2.54	76.2	3.50	0.35MAX	0.84MAX	φ0.51	0.25MIN	18
3-1437144-8	FSN-23A-19= JUMPER NOMEX	2.54	76.2	3.18	0.35MAX	0.84MAX	φ0.51	0.25MIN	19
4-1437144-0	FSN-23A-20= JUMPER NOMEX	2.54	76.2	3.18	0.35MAX	0.84MAX	φ0.51	0.25MIN	20
4-1437144-2	FSN-23A-21= JUMPER NOMEX	2.54	76.2	3.18	0.35MAX	0.84MAX	φ0.51	0.25MIN	21
4-1437144-3	FSN-23A-22= JUMPER NOMEX	2.54	76.2	3.18	0.35MAX	0.84MAX	φ0.51	0.25MIN	22
4-1437144-4	FSN-23A-23= JUMPER NOMEX	2.54	76.2	3.18	0.35MAX	0.84MAX	φ0.51	0.25MIN	23
4-1437144-5	FSN-23A-24= JUMPER NOMEX	2.54	76.2	3.18	0.35MAX	0.84MAX	φ0.51	0.25MIN	24
4-1437144-6	FSN-23A-25= JUMPER NOMEX	2.54	76.2	3.18	0.35MAX	0.84MAX	φ0.51	0.25MIN	25
4-1437144-7	FSN-23A-26= JUMPER NOMEX	2.54	76.2	3.18	0.35MAX	0.84MAX	φ0.51	0.25MIN	26
5-1437144-1	FSN-23A-30= JUMPER NOMEX	2.54	76.2	3.18	0.35MAX	0.84MAX	φ0.51	0.25MIN	30
5-1437144-6	FSN-23A-4= JUMPER NOMEX	2.54	76.2	3.18	0.35MAX	0.84MAX	φ0.51	0.25MIN	4
5-1437144-8	FSN-23A-5= JUMPER NOMEX	2.54	76.2	3.18	0.35MAX	0.84MAX	φ0.51	0.25MIN	5
5-1437144-9	FSN-23A-6= JUMPER NOMEX	2.54	76.2	3.18	0.35MAX	0.84MAX	φ0.51	0.25MIN	6
6-1447187-9	FSN-23A-6PA=JUMPER (PA4.0)	2.54	76.2	4.00	0.35MAX	0.84MAX	φ0.51	0.25MIN	6
6-1437144-0	FSN-23A-7= JUMPER NOMEX	2.54	76.2	3.18	0.35MAX	0.84MAX	φ0.51	0.25MIN	7
7-1447187-1	FSN-23A-8-3.5=JUMPER (PL3.5)	2.54	76.2	3.18 ^{0.76}	0.35MAX	0.84MAX	φ0.51	0.25MIN	8
3-1447187-1	FSN-23A-11-3.5=JUMPER (PL3.5)	2.54	76.2	3.18 ^{0.76}	0.35MAX	0.84MAX	φ0.51	0.25MIN	11
6-1437144-2	FSN-23A-8= JUMPER NOMEX	2.54	76.2	3.18	0.35MAX	0.84MAX	φ0.51	0.25MIN	8
6-1437144-3	FSN-23A-9= JUMPER NOMEX	2.54	76.2	3.18	0.35MAX	0.84MAX	φ0.51	0.25MIN	9
7-1447187-8	FSN-23B-12=JUMPER NOMEX	2.54	76.2	3.18	0.35MAX	0.84MAX	φ0.51	0.25MIN	12
4-1437145-8	FSN-24A-10= JUMPER NOMEX	2.54	101.6	3.18	0.35MAX	0.84MAX	φ0.51	0.25MIN	10
5-1437145-1	FSN-24A-12= JUMPER NOMEX	2.54	101.6	3.18	0.35MAX	0.84MAX	φ0.51	0.25MIN	12
8-1447178-7	FSN-24A-12PA= JUMPER NOMEX	2.54	101.6	4.00	0.35MAX	0.84MAX	φ0.51	0.25MIN	12
5-1437145-4	FSN-24A-14= JUMPER NOMEX	2.54	101.6	3.18	0.35MAX	0.84MAX	φ0.51	0.25MIN	14
5-1437145-6	FSN-24A-15= JUMPER NOMEX	2.54	101.6	3.18	0.35MAX	0.84MAX	φ0.51	0.25MIN	15
5-1437145-7	FSN-24A-16= JUMPER NOMEX	2.54	101.6	3.18	0.35MAX	0.84MAX	φ0.51	0.25MIN	16
6-1437145-4	FSN-24A-2= JUMPER NOMEX	2.54	101.6	3.18	0.35MAX	0.84MAX	φ0.51	0.25MIN	2
6-1437145-5	FSN-24A-20= JUMPER NOMEX	2.54	101.6	3.18	0.35MAX	0.84MAX	φ0.51	0.25MIN	20
7-1437145-1	FSN-24A-25= JUMPER NOMEX	2.54	101.6	3.18	0.35MAX	0.84MAX	φ0.51	0.25MIN	25
8-1437145-1	FSN-24A-4= JUMPER NOMEX	2.54	101.6	3.18	0.35MAX	0.84MAX	φ0.51	0.25MIN	4
8-1437145-4	FSN-24A-5= JUMPER NOMEX	2.54	101.6	3.18	0.35MAX	0.84MAX	φ0.51	0.25MIN	5
8-1437145-6	FSN-24A-7= JUMPER NOMEX	2.54	101.6	3.18	0.35MAX	0.84MAX	φ0.51	0.25MIN	7
8-1437145-8	FSN-24A-8= JUMPER NOMEX	2.54	101.6	3.18	0.35MAX	0.84MAX	φ0.51	0.25MIN	8
8-1437145-9	FSN-24A-9= JUMPER NOMEX	2.54	101.6	3.18	0.35MAX	0.84MAX	φ0.51	0.25MIN	9
2-1447188-2	FSN-25A-10=JUMPER NOMEX	2.54	127.0	3.18	0.35MAX	0.84MAX	φ0.51	0.25MIN	10
2-1447188-4	FSN-25A-11=JUMPER NOMEX	2.54	127.0	3.18	0.35MAX	0.84MAX	φ0.51	0.25MIN	11
4-1437146-5	FSN-25A-14=JUMPER NOMEX	2.54	127.0	3.18	0.35MAX	0.84MAX	φ0.51	0.25MIN	14
2-1447188-8	FSN-25A-15=JUMPER NOMEX	2.54	127.0	3.18	0.35MAX	0.84MAX	φ0.51	0.25MIN	15
3-1447188-3	FSN-25A-20=JUMPER NOMEX	2.54	127.0	3.18	0.35MAX	0.84MAX	φ0.51	0.25MIN	20
3-1447188-6	FSN-25A-22=JUMPER NOMEX	2.54	127.0	3.18	0.35MAX	0.84MAX	φ0.51	0.25MIN	22
4-1447188-0	FSN-25A-3=JUMPER NOMEX	2.54	127.0	3.18	0.35MAX	0.84MAX	φ0.51	0.25MIN	3
4-1447188-7	FSN-25A-6=JUMPER NOMEX	2.54	127.0	3.18	0.35MAX	0.84MAX	φ0.51	0.25MIN	6
4-1447188-9	FSN-25A-7=JUMPER NOMEX	2.54	127.0	3.18	0.35MAX	0.84MAX	φ0.51	0.25MIN	7
5-1447188-5	FSN-25A-9=JUMPER NOMEX	2.54	127.0	3.18	0.35MAX	0.84MAX	φ0.51	0.25MIN	9
9-1437146-1	FSN-26A-12= JUMPER NOMEX	2.54	152.4	3.18	0.35MAX	0.84MAX	φ0.51	0.25MIN	12
9-1437146-3	FSN-26A-14= JUMPER NOMEX	2.54	152.4	3.18	0.35MAX	0.84MAX	φ0.51	0.25MIN	14
9-1437146-6	FSN-26A-16= JUMPER NOMEX	2.54	152.4	3.18	0.35MAX	0.84MAX	φ0.51	0.25MIN	16
6-1447188-3	FSN-26A-2=JUMPER NOMEX	2.54	152.4	3.18	0.35MAX	0.84MAX	φ0.51	0.25MIN	2
1437147-9	FSN-26A-4=JUMPER NOMEX	2.54	152.4	3.18	0.35MAX	0.84MAX	φ0.51	0.25MIN	4
1-1437147-1	FSN-26A-5=JUMPER NOMEX	2.54	152.4	3.18	0.35MAX	0.84MAX	φ0.51	0.25MIN	5
1-1437147-3	FSN-26A-7=JUMPER NOMEX	2.54	152.4	3.18	0.35MAX	0.84MAX	φ0.51	0.25MIN	7
6-1447188-8	FSN-26A-8=JUMPER NOMEX	2.54	152.4	3.18	0.35MAX	0.84MAX	φ0.51	0.25MIN	8
8-1437147-9	FSN-28A-3= JUMPER NOMEX	2.54	203.2	3.18	0.35MAX	0.84MAX	φ0.51	0.25MIN	3
9-1437147-1	FSN-28A-4= JUMPER NOMEX	2.54	203.2	3.18	0.35MAX	0.84MAX	φ0.51	0.25MIN	4
9-1437147-2	FSN-28A-5= JUMPER NOMEX	2.54	203.2	3.18	0.35MAX	0.84MAX	φ0.51	0.25MIN	5
9-1447188-0	FSN-29A-4=JUMPER NOMEX	2.54	228.6	3.18	0.35MAX	0.84MAX	φ0.51	0.25MIN	4
4-1437148-7	FSN-31A-3= JUMPER NOMEX	3.18	25.4	3.18	0.35MAX	0.84MAX	φ0.51	0.25MIN	3
8-1437149-9	FSN-52A-17=JUMPER NOMEX	5.08	50.8	3.18	0.35MAX	0.84MAX	φ0.51	0.25MIN	17
9-1437149-1	FSN-52A-2= JUMPER NOMEX	5.08	50.8	3.18	0.35MAX	0.84MAX	φ0.51	0.25MIN	2

THIS DRAWING IS A CONTROLLED DOCUMENT.

DIMENSIONS: mm

TOLERANCES UNLESS OTHERWISE SPECIFIED:

0 PLC ± -
 1 PLC ± -
 2 PLC ± -
 3 PLC ± -
 4 PLC ± -
 ANGLES ± -

MATERIAL: - FINISH: -

DWN: -
 CHK: -
 APVD: -
 PRODUCT SPEC: 108-78002
 APPLICATION SPEC: -
 WEIGHT: 0

SEE SHEET 1

NAME: FLEXSTRIP JUMPER

SIZE: A3 CAGE CODE: 00779 DRAWING NO: 1447169 RESTRICTED TO: -

CUSTOMER DRAWING SCALE: NTS SHEET: 10 OF 10 REV: A18

STE TE Connectivity Ltd.