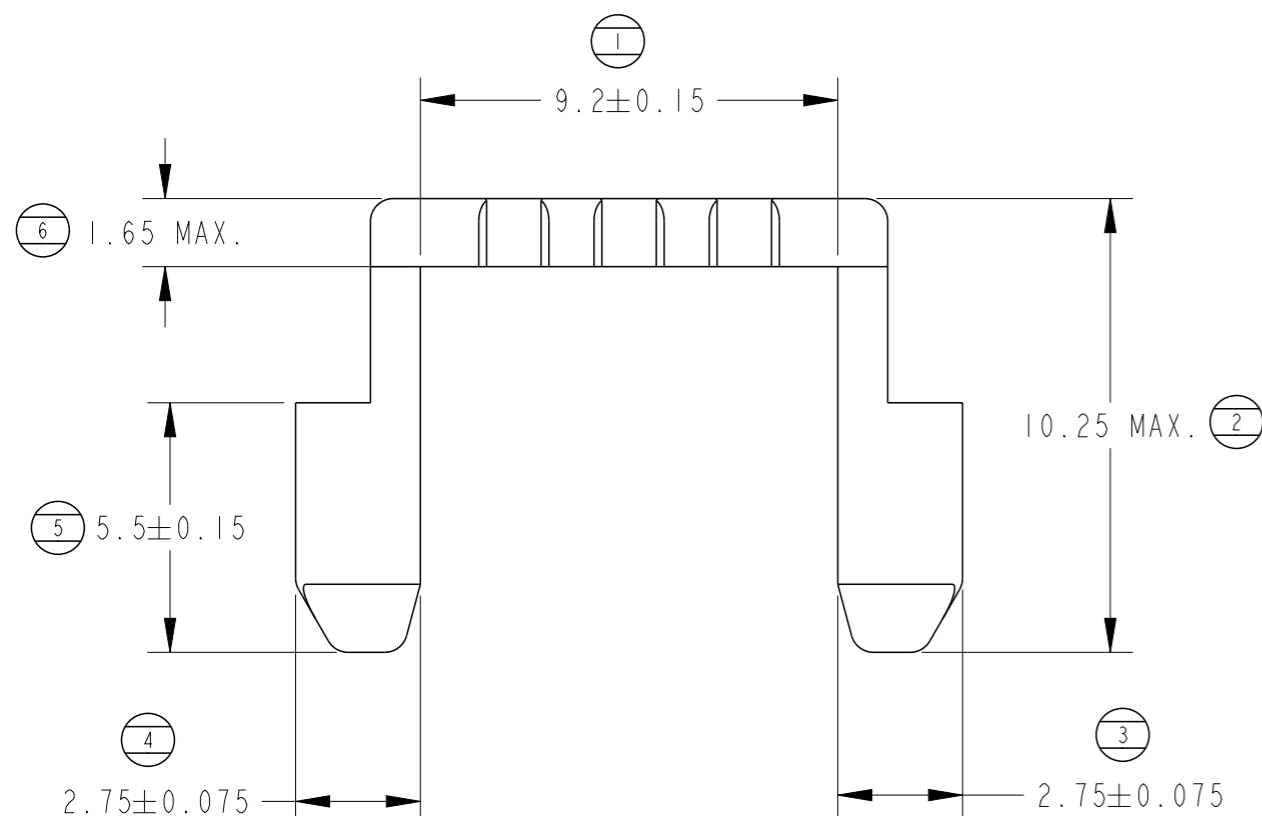
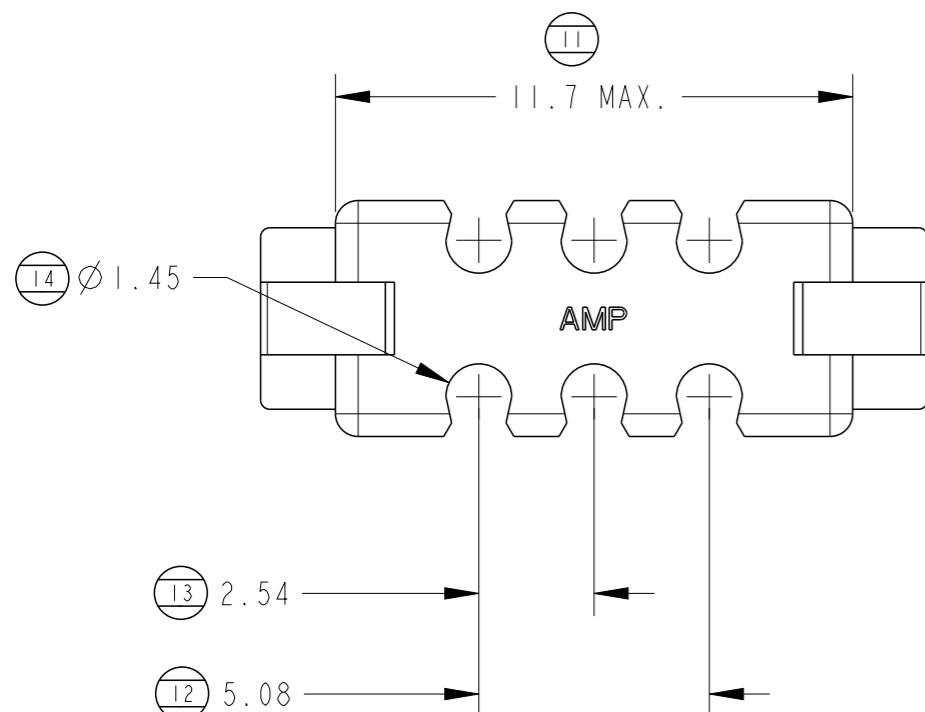
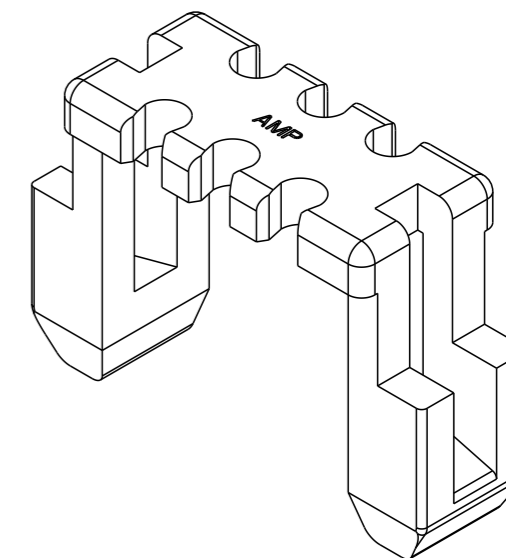
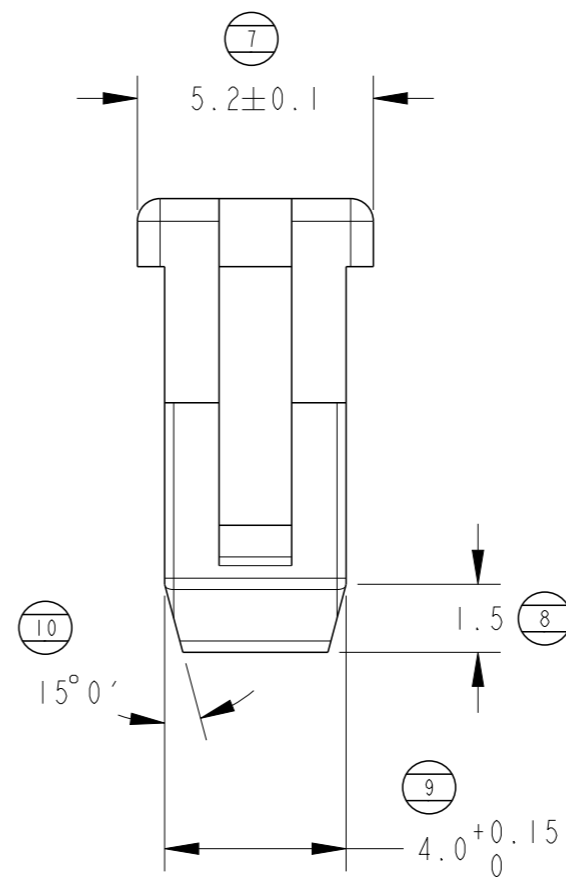


P	LTR	DESCRIPTION	DATE	DWN	APVD
	C1	DRAWING REDRAWN	16 JUN 2022	MP	JK
	D	MATERIAL CHANGE	14 FEB 2023	AJK	SPS


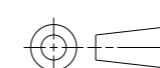


SCALE 6:1



144684-1 AS SHOWN

USED ON HOUSING P/N: 144095-1

THIS DRAWING IS A CONTROLLED DOCUMENT.		DWN B. RAMELET 13APR1992	 TE Connectivity NAME 2x3 POS MODU IV COVER		
DIMENSIONS: mm		CHK PETRONIN 13APR1992			
 TOLERANCES UNLESS OTHERWISE SPECIFIED: ±0.3 0 PLC ±- 1 PLC ±- 2 PLC ±- 3 PLC ±- 4 PLC ±- ANGLES ±5°		APVD PETRONIN 13APR1992			
MATERIAL POLYAMIDE 6/6 BLACK		FINISH -			
-		PRODUCT SPEC	RESTRICTED TO		
-		APPLICATION SPEC	SIZE A3	CAGE CODE 00779	DRAWING NO C-144684
-		WEIGHT	SCALE 5:1		
-		CUSTOMER DRAWING	SHEET 1 OF 1		
-			REV D		