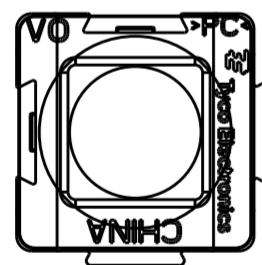
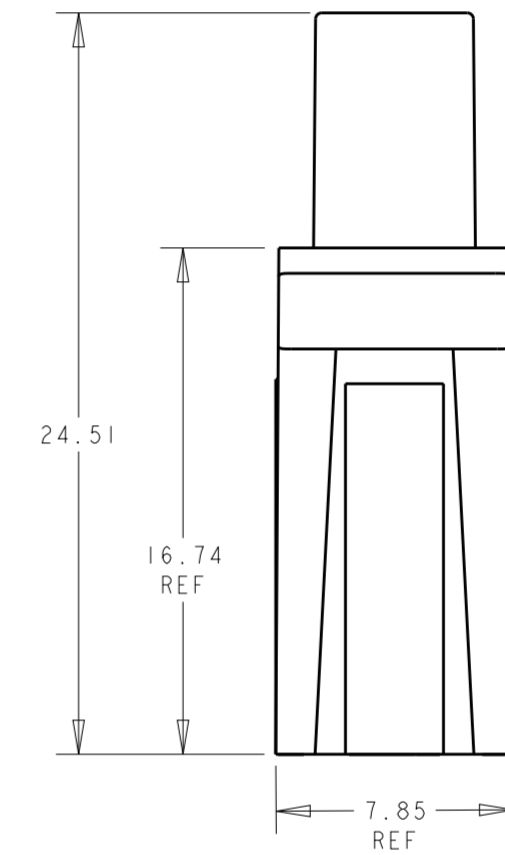
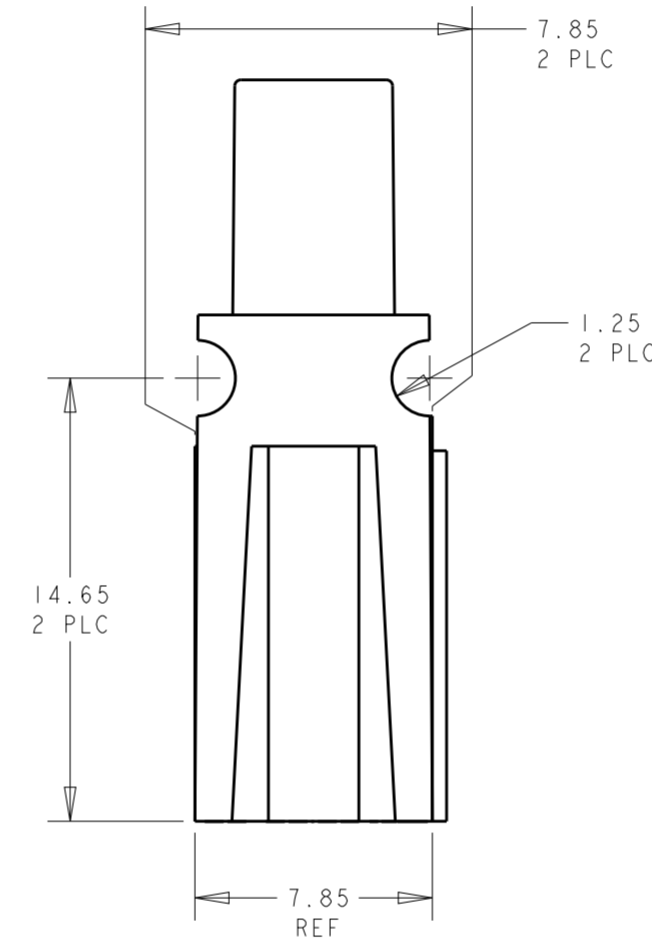
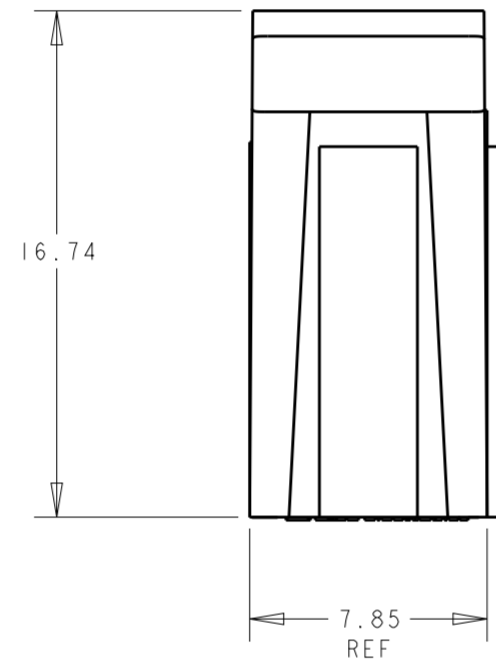
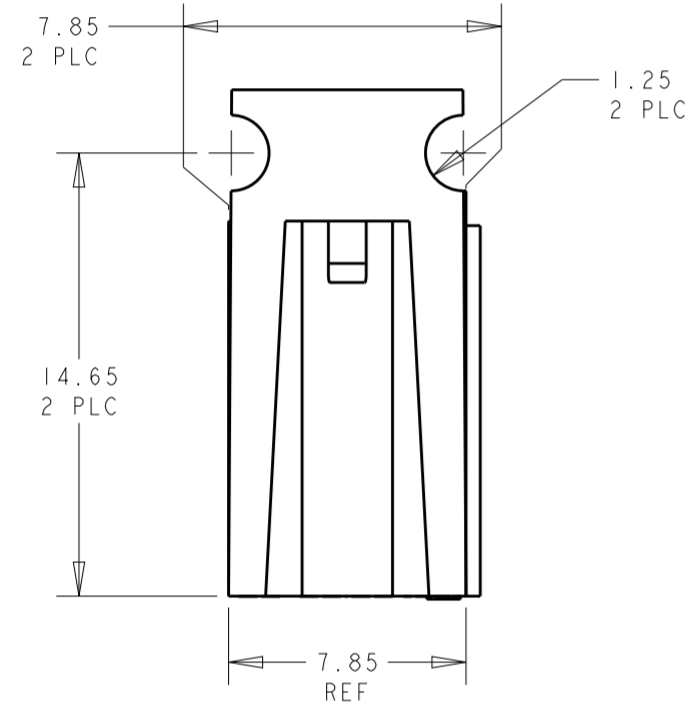
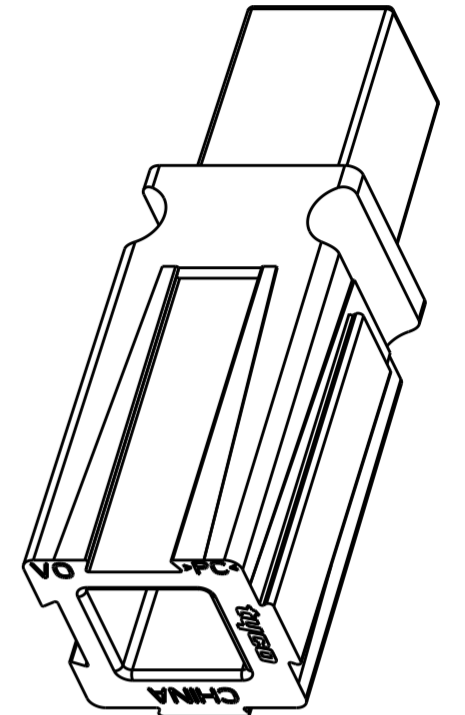
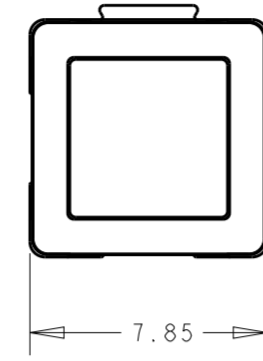
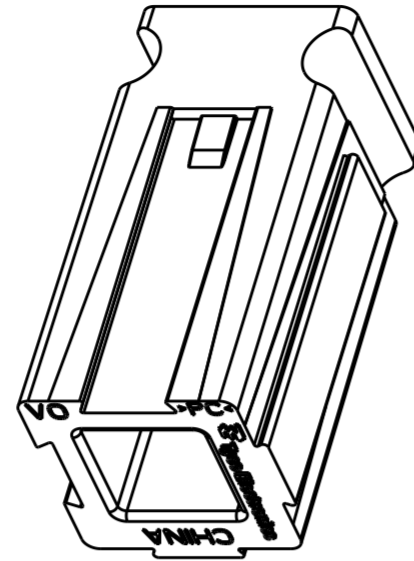
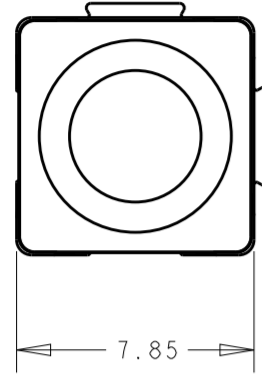
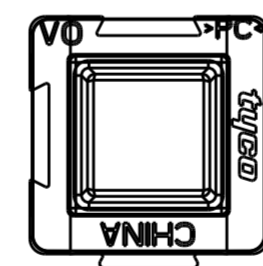


THIS DRAWING IS UNPUBLISHED. RELEASED FOR PUBLICATION 20
 © COPYRIGHT 20 BY - ALL RIGHTS RESERVED.

REVISIONS				
P	LTR	DESCRIPTION	DATE	APVD
B2		REVISED PER ECR-12-009561	12AUG13	AY SZ



1445959-1
SHORT SPACER



1445959-2
LONG SPACER

- MATERIAL: POLYCARBONATE UL94VO.
- THESE SPACERS ARE INTENDED TO PROVIDE A KEYING FEATURE TO POWER PRODUCT ARRAYS. A SHORT SPACER ON ONE HALF OF THE MATED PAIR AND LONG SPACER ON THE OTHER HALF OF THE MATED PAIR CREATE THE POLARIZED KEY.

OBSELETE
OBSELETE

2-1573058-2	RED	LONG	1445959-2
2-1573058-2	RED	SHORT	1445959-1
COLORANT	COLOR	SPACER STYLE	PART NUMBER

THIS DRAWING IS A CONTROLLED DOCUMENT.		DWN B. HAYMAKER 12NOV01	TE Connectivity															
DIMENSIONS: mm		CHK K. KETELSIEGER 25JAN02																
TOLERANCES UNLESS OTHERWISE SPECIFIED:		APVD K. KETELSIEGER 25JAN02	NAME SPACER, 15/30/45A SINGLE POLE POWER PRODUCT															
<table border="1"> <tr><td>0 PLC</td><td>±0.13</td></tr> <tr><td>1 PLC</td><td>±0.13</td></tr> <tr><td>2 PLC</td><td>±0.13</td></tr> <tr><td>3 PLC</td><td>±</td></tr> <tr><td>4 PLC</td><td>±</td></tr> <tr><td>ANGLES</td><td>±1</td></tr> <tr><td>FINISH</td><td>-</td></tr> </table>		0 PLC	±0.13	1 PLC	±0.13	2 PLC	±0.13	3 PLC	±	4 PLC	±	ANGLES	±1	FINISH	-	PRODUCT SPEC -	SIZE CAGE CODE DRAWING NO RESTRICTED TO	
0 PLC	±0.13																	
1 PLC	±0.13																	
2 PLC	±0.13																	
3 PLC	±																	
4 PLC	±																	
ANGLES	±1																	
FINISH	-																	
MATERIAL -		APPLICATION SPEC -	A200779 C-1445959															
-		WEIGHT -	SCALE 4:1 SHEET OF REV B2															
Customer Drawing																		