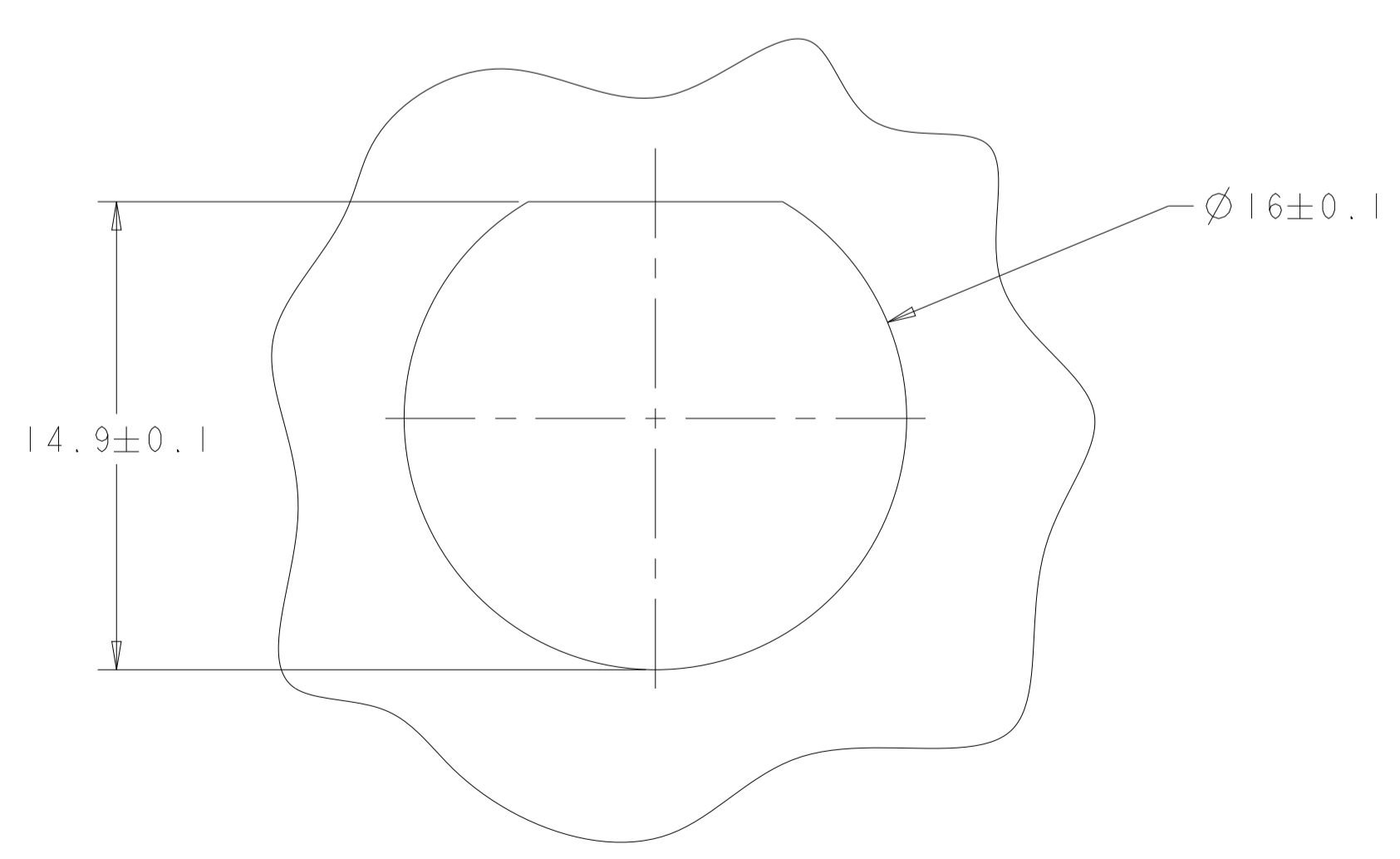
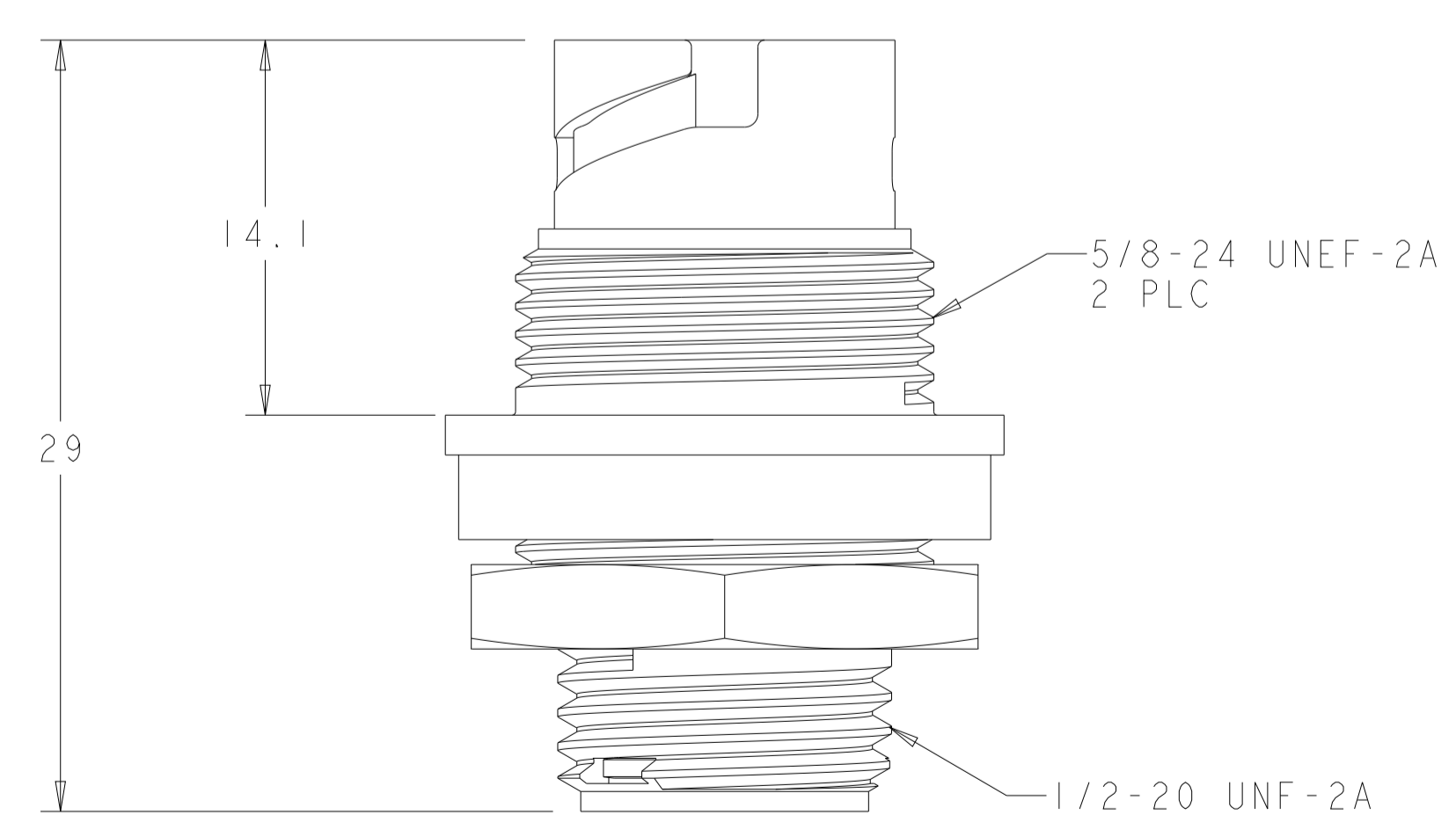
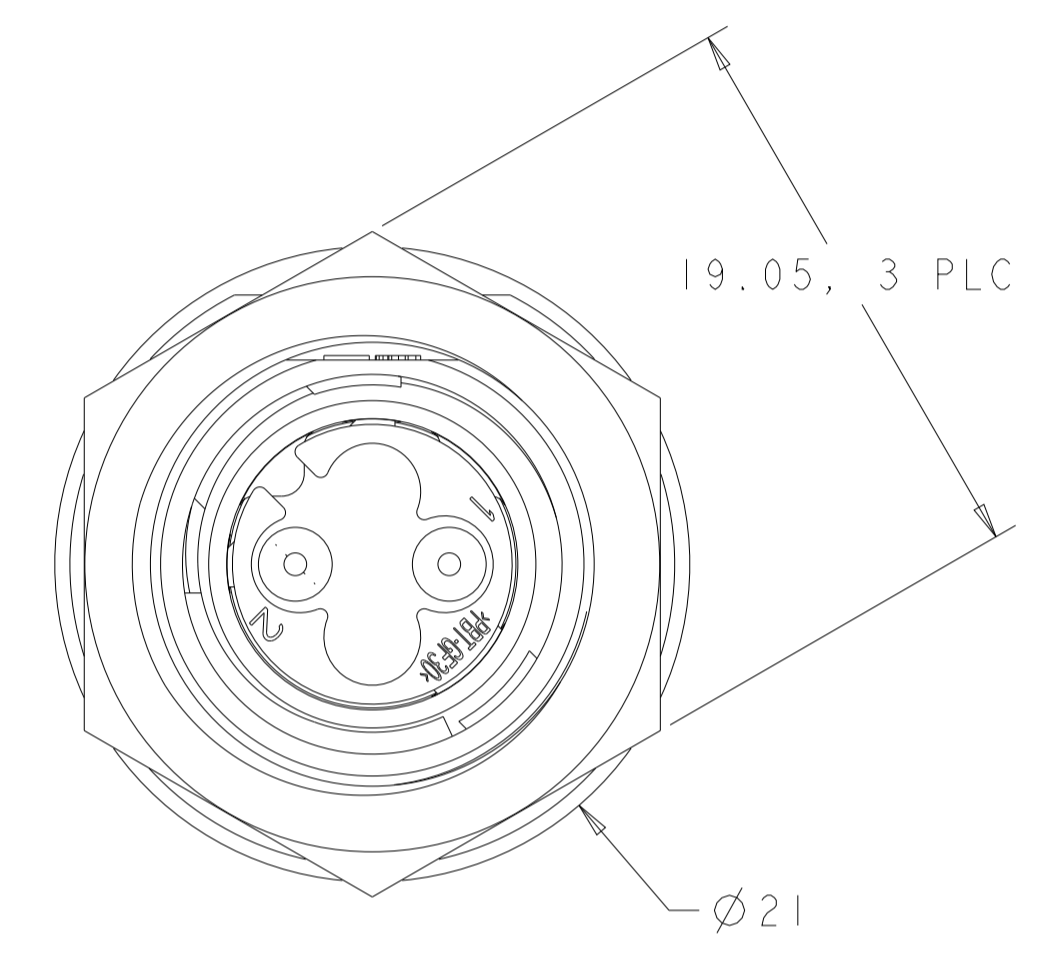
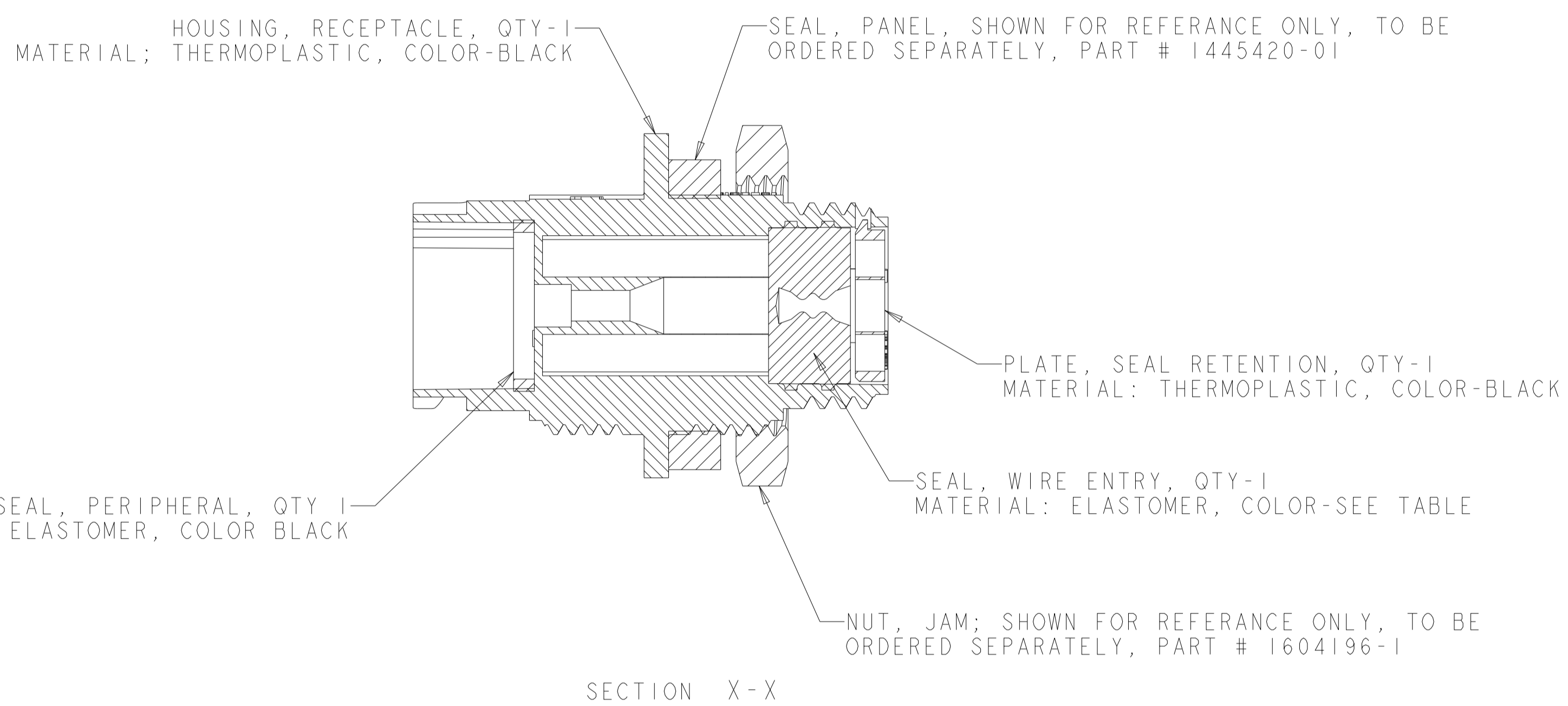
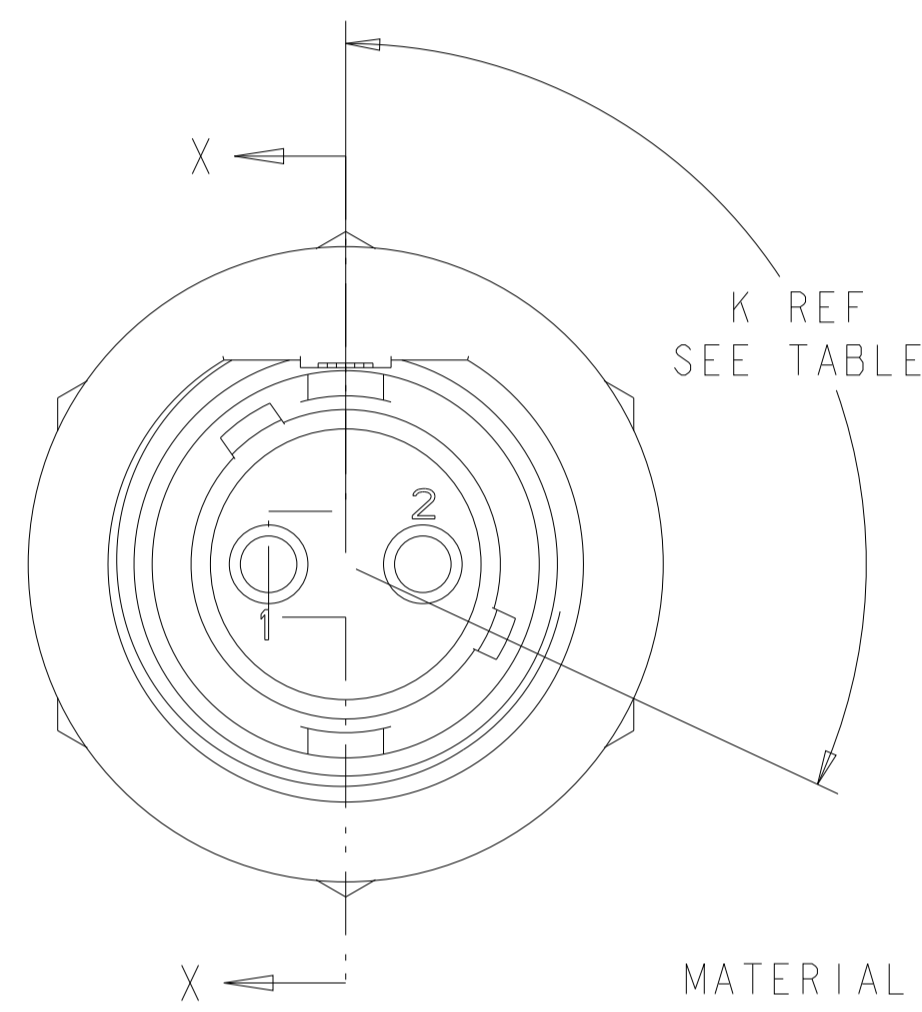
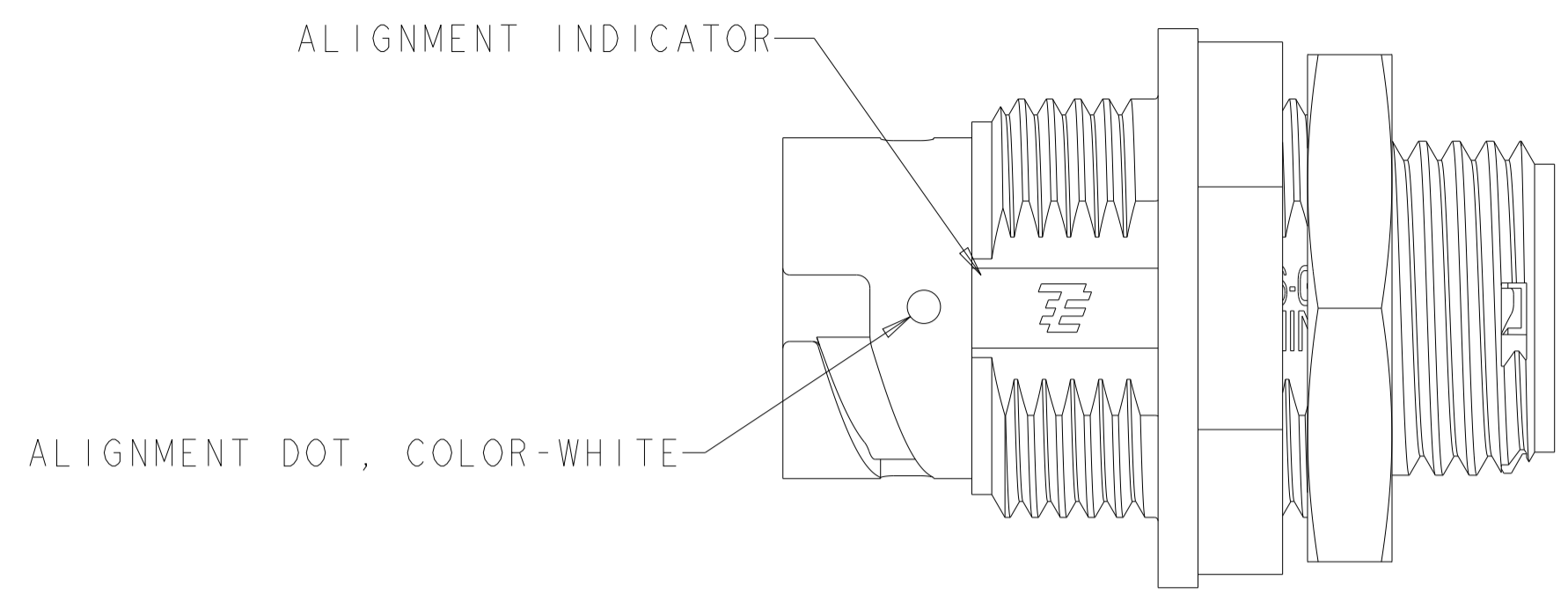


REVISIONS				
P	LTN	DESCRIPTION	DATE	APVD
D		REVISED PER ECN-22-136865	01FEB2022	RK MZ



1. CONNECTOR CAN BE FRONT OR REAR PANEL MOUNTED.  
 2. MAX PANEL THICKNESS-3.18

OBSOLETE	YELLOW	Ø0.75	130°	1445538-04
	NATURAL	Ø1.5	115°	1445538-03
OBSOLETE	NATURAL	Ø1.5	130°	1445538-02
	YELLOW	Ø0.75	115°	1445538-01
	SEAL, WIRE ENTRY COLOR	ØX REF	K REF	PART NUMBER

THIS DRAWING IS A CONTROLLED DOCUMENT.

OWN: S. WIEST 08MAY2001  
 CHK: G. DOUITY 08MAY2001  
 APVD: H. WAKEEM 13JUN2003

STC TE Connectivity

NAME: ASSEMBLY, RECEPTACLE, SIZE 8, 2 POSITION, PANEL MOUNT MINI CPC

SIZE: A1 CAGE CODE: 100779 DRAWING NO: 1445538

MATERIAL: SEE CALLOUT

WEIGHT: -

CUSTOMER DRAWING

SCALE: 4:1 SHEET 1 OF 1 REV D

SUGGESTED PANEL CUTOUT 2