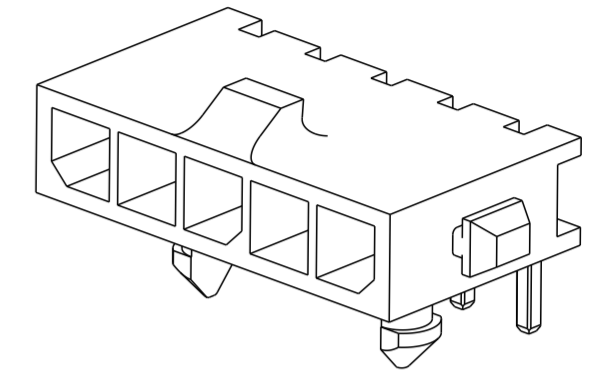
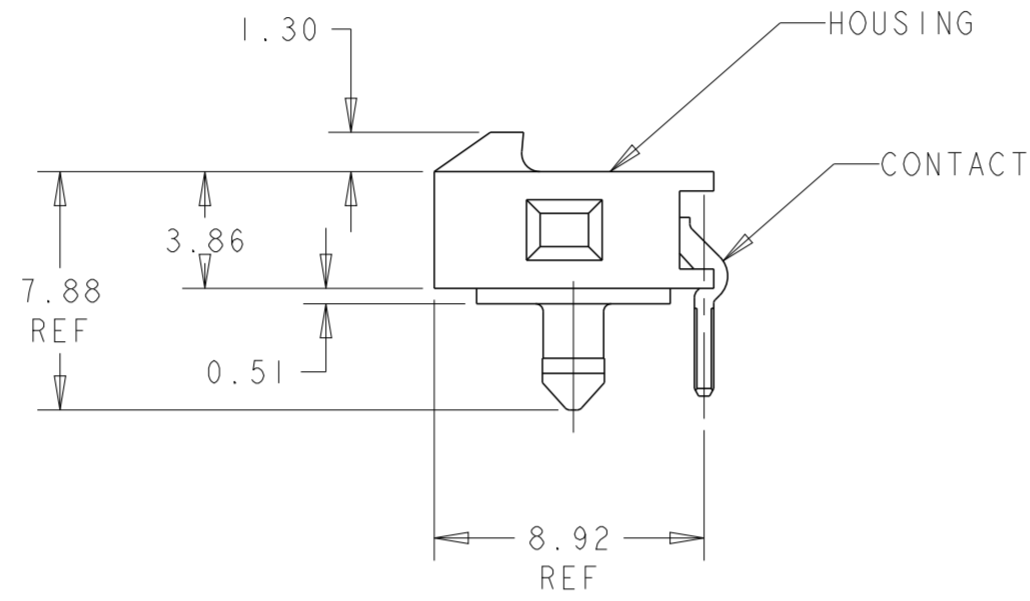
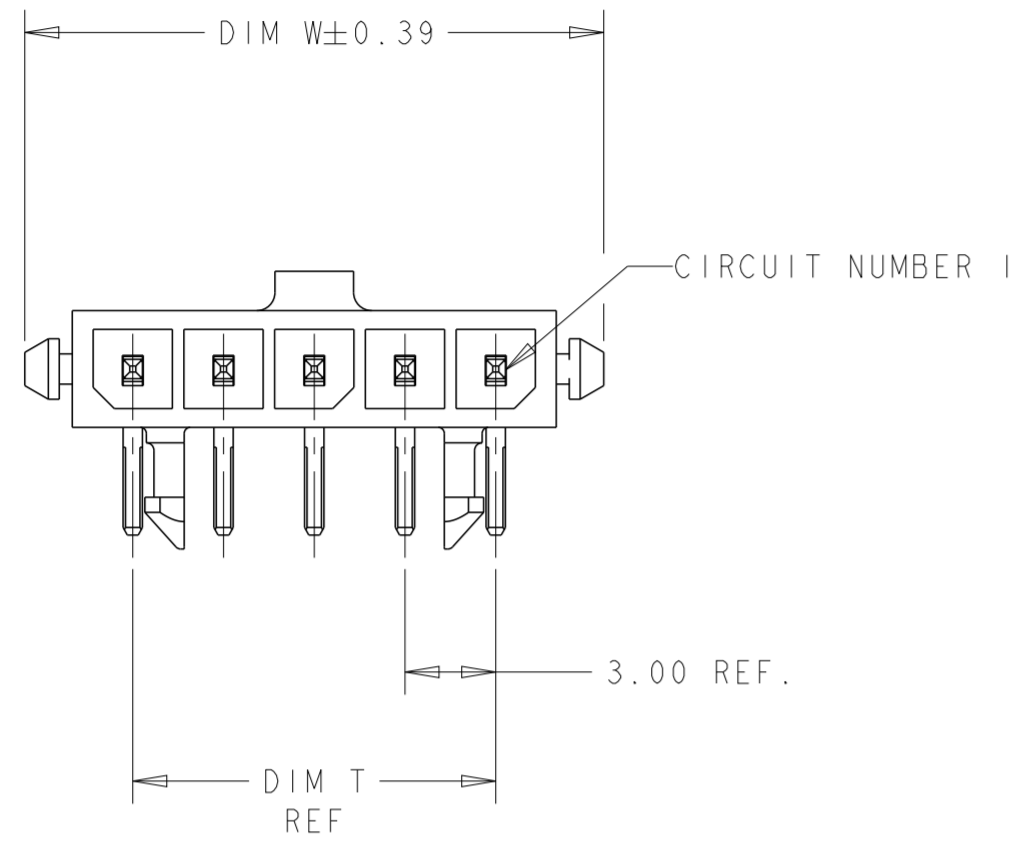
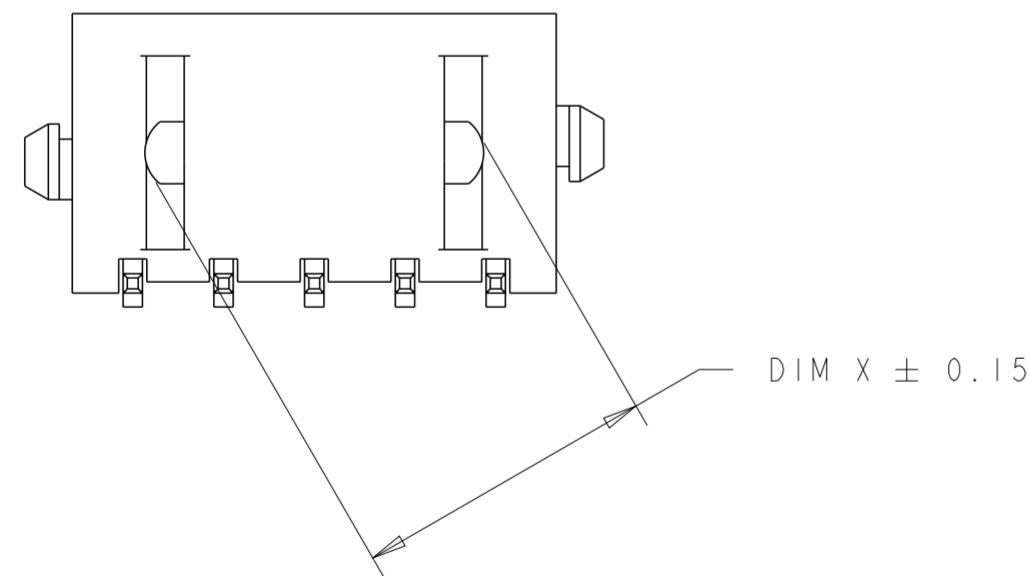


THIS DRAWING IS UNPUBLISHED. RELEASED FOR PUBLICATION 20
 © COPYRIGHT 20 BY - ALL RIGHTS RESERVED.

REVISIONS					
P	LTR	DESCRIPTION	DATE	DWN	APVD
B2		REVISED PER ECN-23-242776	15DEC2023	WLS	VS



- 1 MATERIAL: HOUSING - UL 94V-0 RATED HIGH TEMP NYLON, COLOR BLACK.
CONTACTS - BRASS
- 2 RECOMMENDED PC BOARD THICKNESS OF 1.57.
- 3 PLATING: CONTACTS - 0.76µm MINIMUM GOLD ON MATING AREA.
2.54µm MINIMUM MATTE TIN ON SOLDER TAILS.
ALL OVER 1.27µm MINIMUM NICKEL.
- 4 COUNTERPART RECOMMENDED IS PN 1445022 (DASH ACCORDING TO NUMBER OF POSITION).
- 5 FOR REELING DIRECTION AND PACKAGING TYPE, SEE SPECIFICATION 114-13000.



OBSOLETE	32.20	33.00	28.70	33.00	40.14	12	3-1445098-2
OBSOLETE	29.20	30.00	25.70	30.00	37.14	11	3-1445098-1
OBSOLETE	26.20	27.00	22.70	27.00	34.14	10	3-1445098-0
	23.20	24.00	19.70	24.00	31.14	9	2-1445098-9
	20.20	21.00	16.70	21.00	28.14	8	2-1445098-8
	17.20	18.00	13.70	18.00	25.14	7	2-1445098-7
	14.20	15.00	10.70	15.00	22.14	6	2-1445098-6
OBSOLETE	11.20	12.00	7.70	12.00	19.14	5	2-1445098-5
	8.00	9.00	4.70	9.00	16.14	4	2-1445098-4
	3.30	-	-	6.00	13.14	3	2-1445098-3
	3.30	-	-	3.00	10.14	2	2-1445098-2
	DIM X	DIM Z	DIM V	DIM T	DIM W	NO. OF POSN	PART NUMBER

THIS DRAWING IS A CONTROLLED DOCUMENT.

DWN	J. ROOT	09OCT2000
CHK	K. WHITAKER	17-APR-2001
APVD	C. JONES	17-APR-2001
PRODUCT SPEC	108-1836	
APPLICATION SPEC	114-13000	
WEIGHT	-	

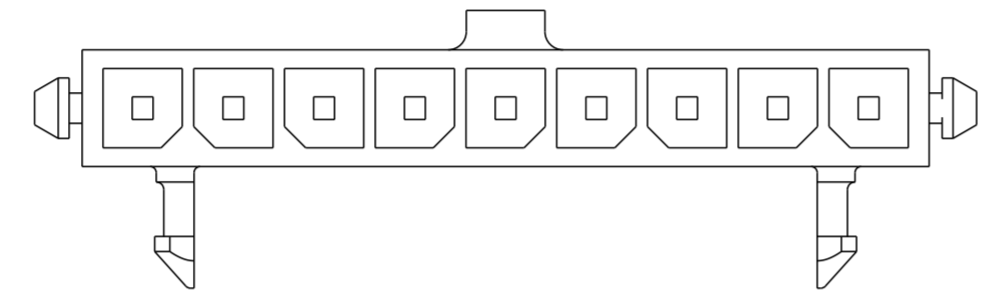
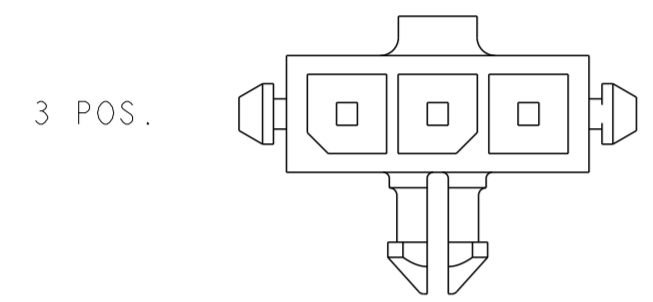
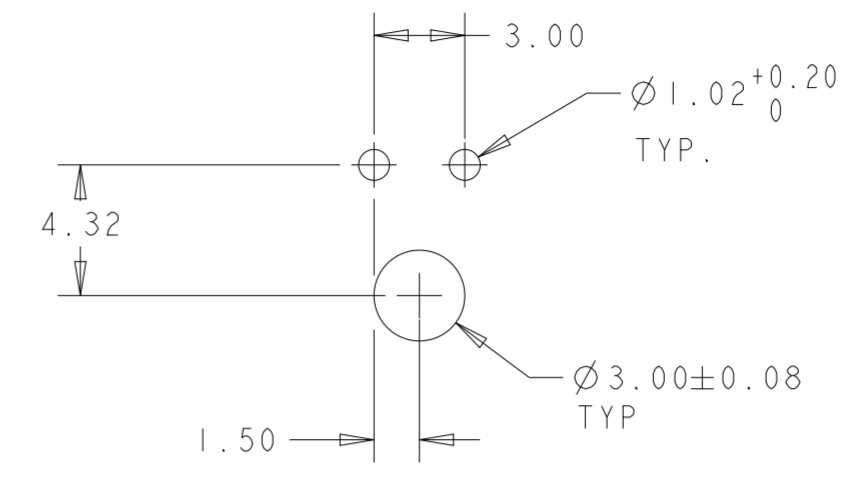
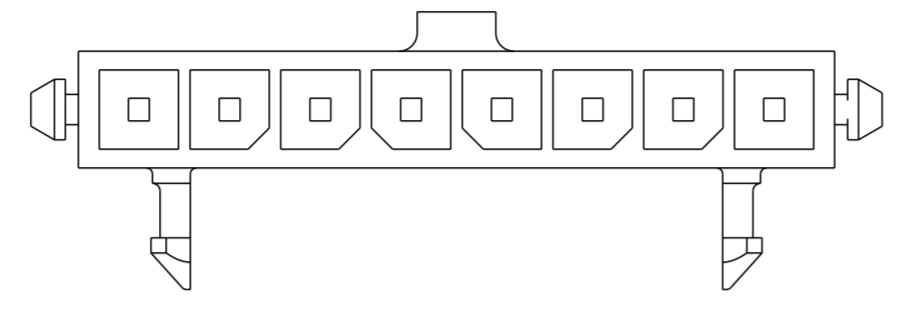
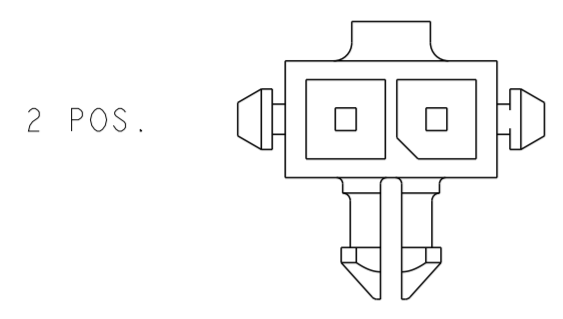
STE TE Connectivity

RIGHT ANGLE THRU HOLE HEADER ASSY, 0.76 MIC GOLD CONTACTS, W/PLASTIC™ HOLDDOWNS, SGL ROW, MICRO MATE-N-LOK

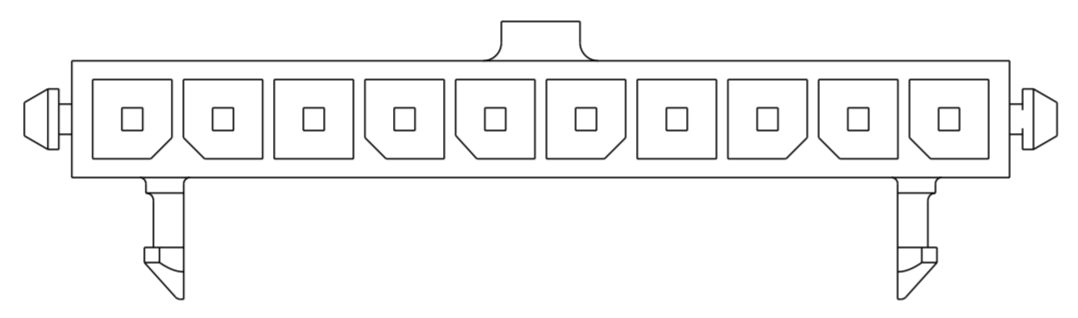
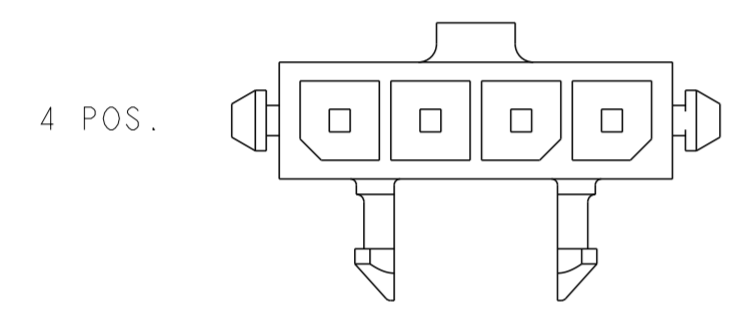
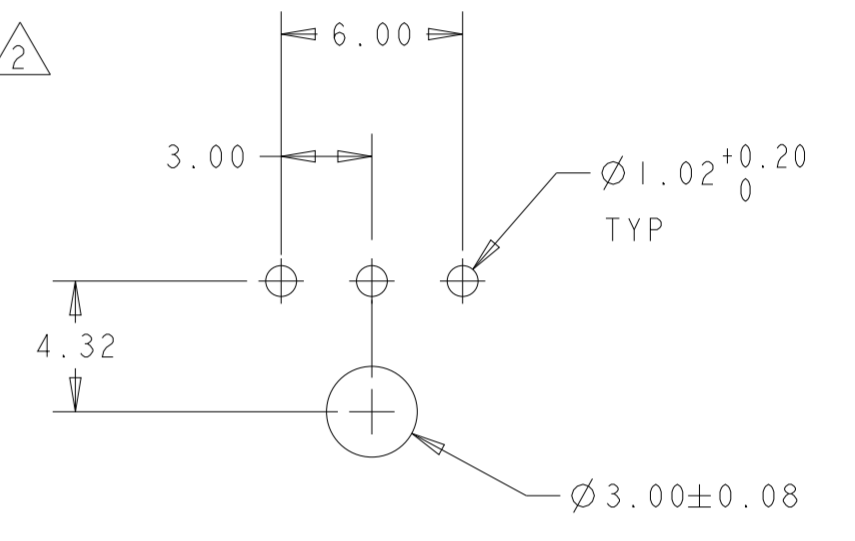
SIZE	A2	CAGE CODE	00779	DRAWING NO	C-1445098	RESTRICTED TO	-	
CUSTOMER DRAWING	SCALE	4:1	SHEET	1	OF	2	REV	B2

THIS DRAWING IS UNPUBLISHED. RELEASED FOR PUBLICATION 20
 © COPYRIGHT 20 BY - ALL RIGHTS RESERVED.

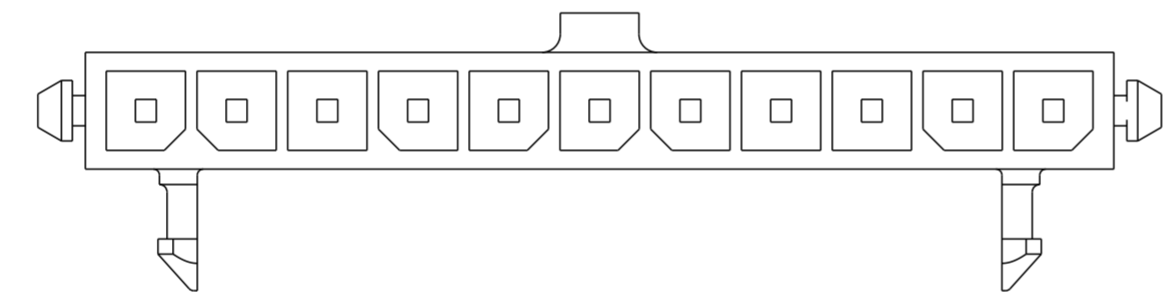
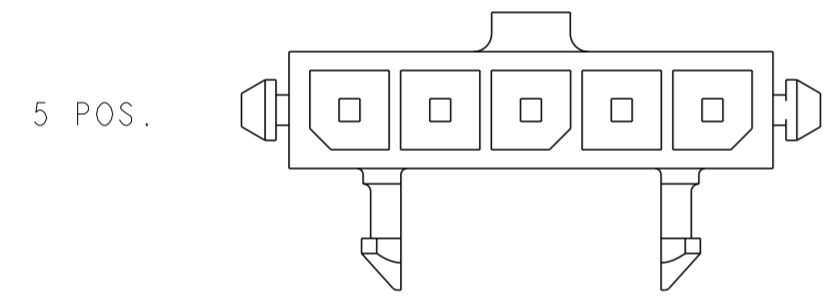
REVISIONS				
P	LTR	DESCRIPTION	DATE	APVD
-	-	SEE SHEET 1	-	-



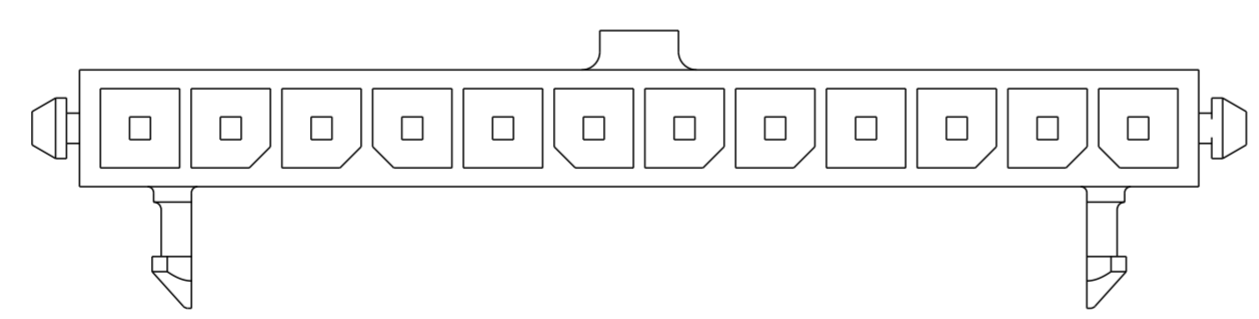
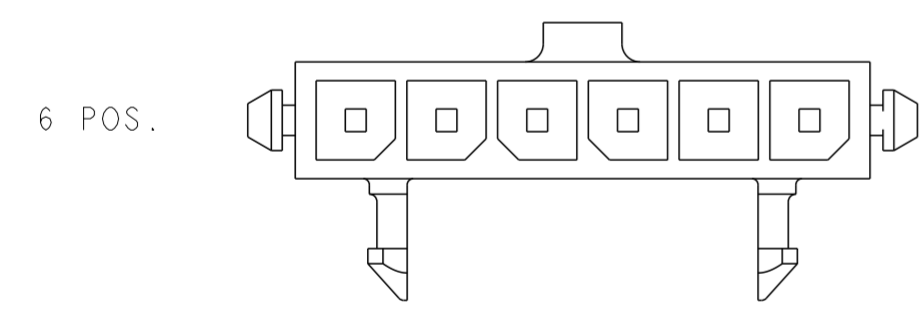
PCB LAYOUT FOR 2 POSITION COMPONENT SIDE



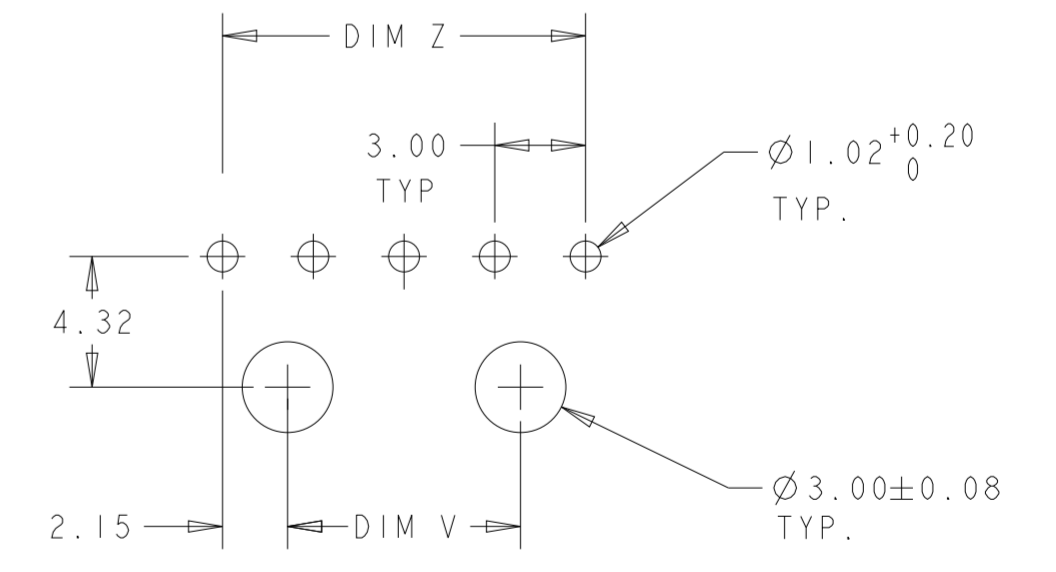
PCB LAYOUT FOR 3 POSITION COMPONENT SIDE



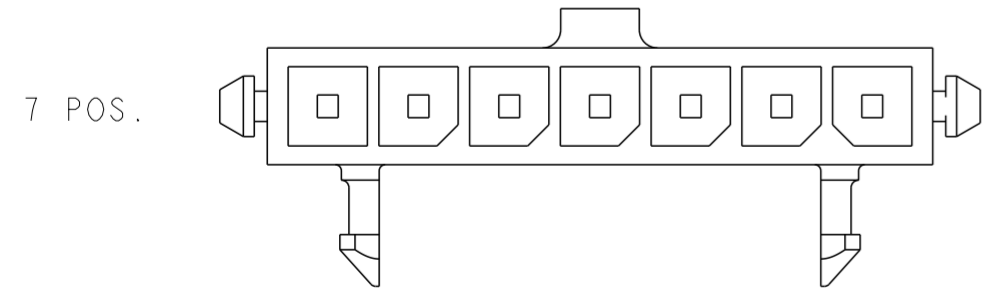
11 POS.



12 POS.



PCB LAYOUT FOR 4-12 POSITION COMPONENT SIDE



KEYING POSITION BI SIZE

THIS DRAWING IS A CONTROLLED DOCUMENT.		DWN J. ROOT 09OCT2000	TE Connectivity	
DIMENSIONS: mm		CHK K. WHITAKER 17-APR-2001		
TOLERANCES UNLESS OTHERWISE SPECIFIED:		APVD C. JONES 17-APR-2001	NAME RIGHT ANGLE THRU HOLE HEADER ASSY, 0.76 MIC GOLD CONTACTS, W/PLASTIC HOLDDOWNS, SGL ROW, MICRO MATE-N-LOK	
0 PLC ±		PRODUCT SPEC	SIZE	RESTRICTED TO
1 PLC ±		APPLICATION SPEC	A200779	-
2 PLC ±0.13		WEIGHT	C-1445098	-
3 PLC ±		CUSTOMER DRAWING	SCALE 5:1	SHEET 2 OF 2
4 PLC ±			REV B2	
ANGLES ±°				
FINISH				