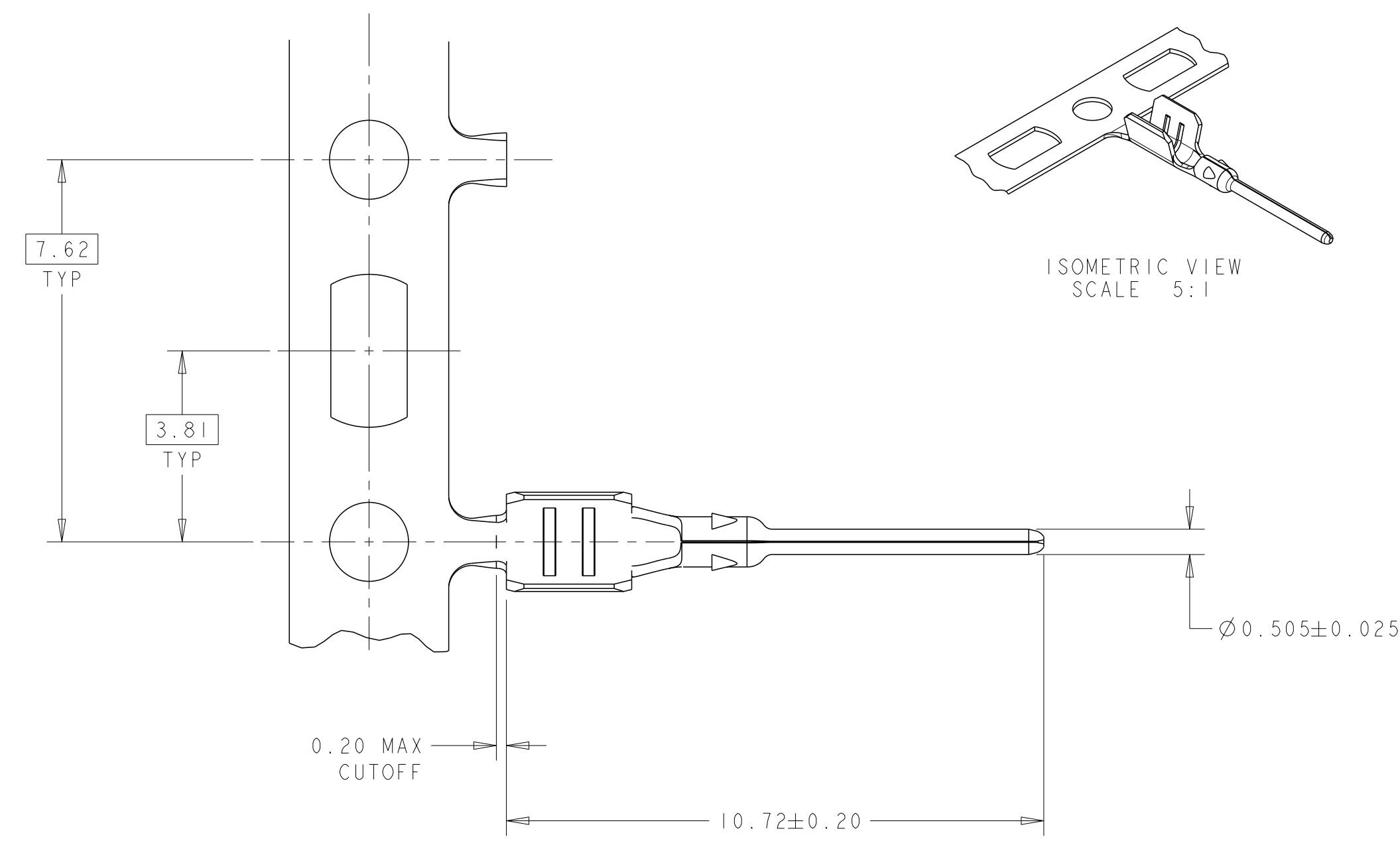
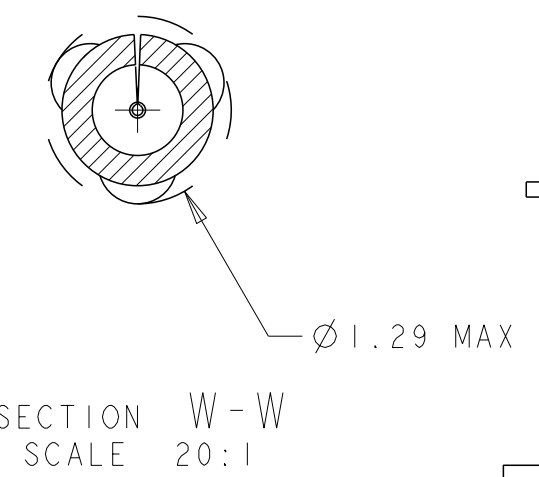
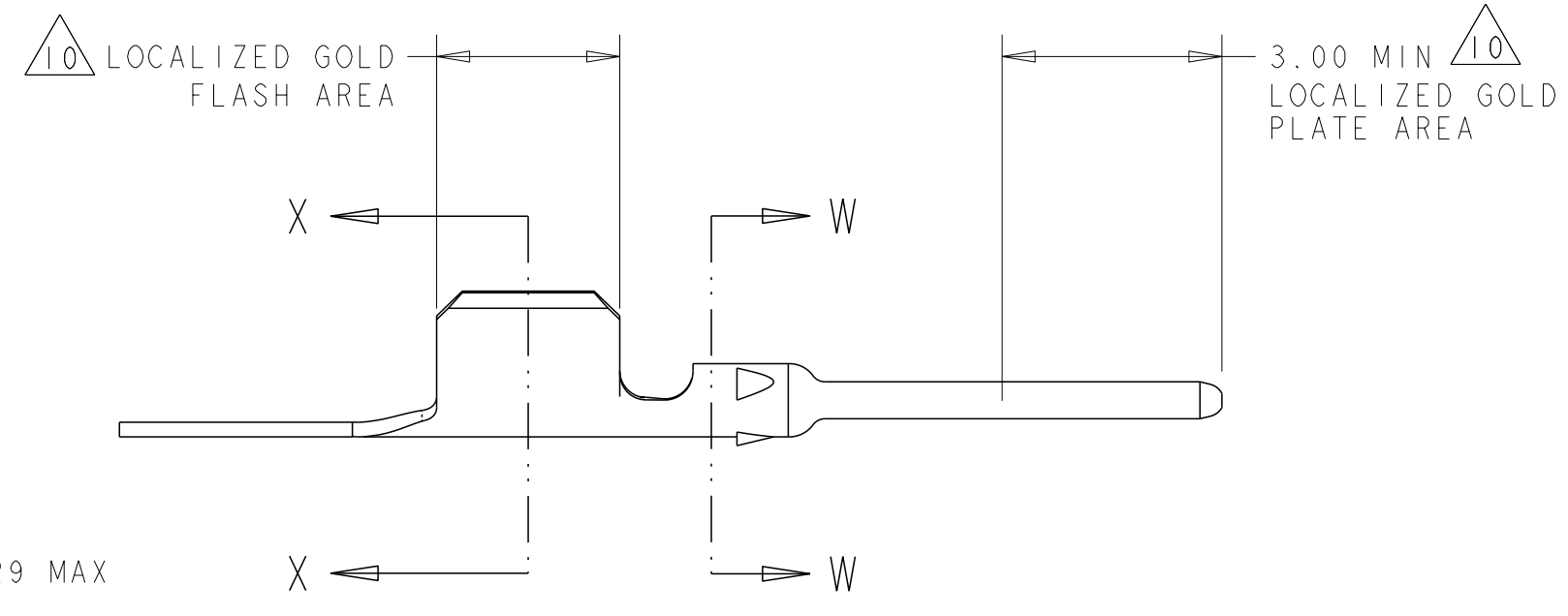
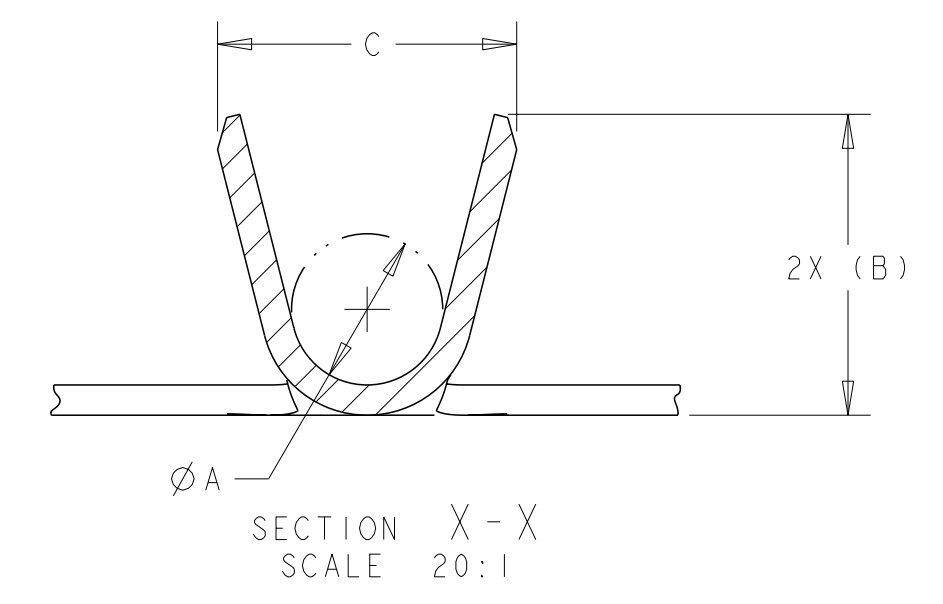


THIS DRAWING IS UNPUBLISHED. RELEASED FOR PUBLICATION 20
 © COPYRIGHT 20 BY - ALL RIGHTS RESERVED.

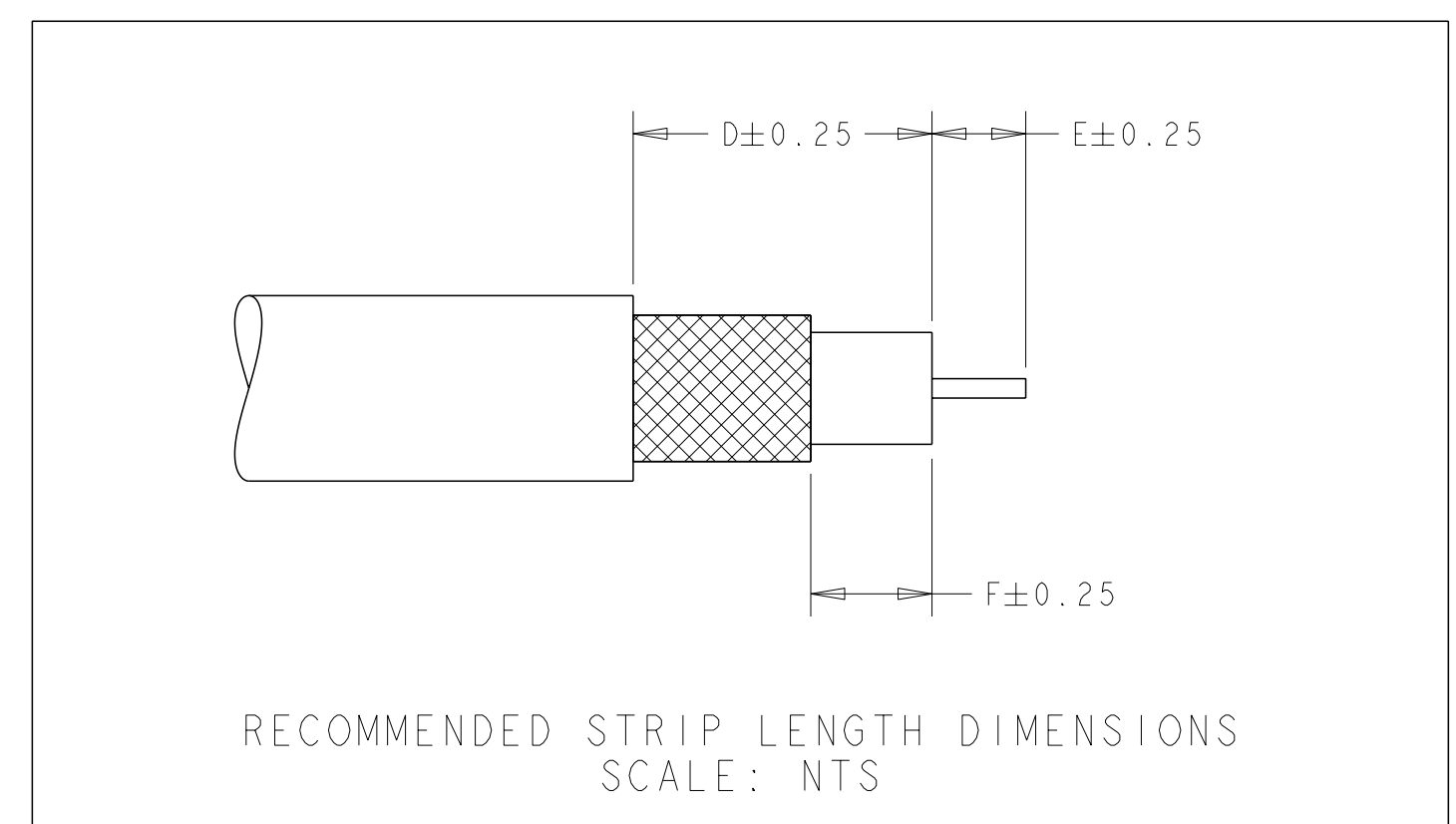
LOC	DIST	REVISIONS					
		P	LTR	DESCRIPTION	DATE	DWN	APVD
IN	00	D3		ECO-13-005286	28MAR2013	KP	LV
		E		ECO-19-00489	13NOV2019	KP	MB
		F		ECO-19-005931	05JUN2020	KP	MB



- 1 BRASS.
- 2 NOTE DELETED.
- 3 CRIMP PIN CONTACT USING APPLICATOR PART NUMBER 1385456-3.
- 4 CRIMP PIN CONTACT USING APPLICATOR PART NUMBER 1385675-3.
- 5 NOTE DELETED.
- 6 CRIMP PIN CONTACT USING APPLICATOR PART NUMBER 680900-1 OR 1385623-3-A.
- 7 CRIMP PIN CONTACT USING APPLICATOR PART NUMBER 680901-1 OR 1385624-3.
- 8 NOTE DELETED.
- 9. PIN CONTACT WILL ACCEPT COAXIAL CABLE: SEE TABLE.
- 10 0.38 µm MIN GOLD IN LOCALIZED GOLD PLATE AREA, GOLD FLASH IN LOCALIZED GOLD FLASH AREA, BOTH OVER 2.0 µm MIN NICKEL. GOLD FLASH ALLOWABLE ON ENTIRE PART.



4.02	3.11	9.91	1.30	1.22	0.38	RG-179	7	1438890-9	10
3.58	3.55	9.47	1.30	1.22	0.38	RG-62U/M, RG-71U/M	7		
3.58	3.55	9.47	2.03	1.73	0.76	RG-62, RG-71	6		
4.02	3.11	9.91	2.03	1.73	0.76	RG-59, 59 MINI	6	1438890-8	10
4.02	3.11	9.91	2.03	1.73	0.76	RG-174 LL, 1.5D-2VS	4		
4.02	3.11	9.91	2.03	1.73	0.76	RG-316, RG-174	4		
4.02	3.11	9.91	1.98	1.99	1.00	RTK031	6	1438890-7	10
4.02	3.11	9.91	1.98	1.99	1.00	RG-58, RG-58 LL	3		
F	E	D	C	B	A	APPLICABLE CABLE SIZE		PART NUMBER	



THIS DRAWING IS A CONTROLLED DOCUMENT.

DWN: D. J. HARDY 04 JAN 2005
 CHK: J. W. HALL 13 JAN 2005
 APVD: J. W. HALL 13 JAN 2005

STE TE Connectivity

NAME: -
 PRODUCT SPEC: -
 APPLICATION SPEC: 114-13157

PIN CONTACT, JACK, SMB

SIZE: A200779 CAGE CODE: - DRAWING NO: 1438890 RESTRICTED TO: -
 WEIGHT: -
 CUSTOMER DRAWING SCALE: 10:1 SHEET: 1 OF 1 REV: F