

4

3

2

1

THIS DRAWING IS UNPUBLISHED.

RELEASED FOR PUBLICATION

20

© COPYRIGHT 20

BY -

ALL RIGHTS RESERVED.

REVISIONS

P	LTR	DESCRIPTION	DATE	DWN	APVD
	A4	REVISED PER ECO-15-009269	25SEP2015	DD	LV
	A5	REVISED PER ECO-16-005357	06APR2016	DD	LV

1 POLYESTER PBT, COLOR: SEE TABLE.

2 JACK HOUSING INTERFACE PER DIN 72594-1, ROAD VEHICLES - RADIO FREQUENCY INTERFACE - DIMENSIONS AND ELECTRICAL REQUIREMENTS.

3. SEE INSTRUCTION SHEET 408-10028.

4 DIMENSION APPLIES TO ALL CODING RIBS.

ISOMETRIC VIEW

PER DETAIL K	K	CURRY	1-1438887-0
PER DETAIL I	I	BEIGE	1438887-9
PER DETAIL H	H	HEATHER VIOLET	1438887-8
PER DETAIL G	G	BLUE GRAY	1438887-7
PER DETAIL F	F	NUT BROWN	1438887-6
PER DETAIL E	E	LEAF GREEN	1438887-5
PER DETAIL D	D	CLARET VIOLET	1438887-4
PER DETAIL C	C	SIGNAL BLUE	1438887-3
PER DETAIL B	B	SIGNAL WHITE	1438887-2
KEYING	CODING REF	HOUSING COLOR	PART NUMBER

THIS DRAWING IS A CONTROLLED DOCUMENT.

DWN 04JAN2006

D. J. HARDY

CHK 05JAN2006

J. W. HALL

APVD 05JAN2006

J. W. HALL

PRODUCT SPEC

-

APPLICATION SPEC

114-13157

WEIGHT

-

CUSTOMER DRAWING

TE Connectivity

 NAME
 JACK HOUSING,
 1 POSITION, FAKRA,
 SMB

 SIZE CAGE CODE DRAWING NO RESTRICTED TO
 A300779 C-1438887 -

SCALE 4:1 SHEET 1 OF 2 REV A5

DIMENSIONS:

mm

TOLERANCES UNLESS OTHERWISE SPECIFIED:

0 PLC	±-
1 PLC	±-
2 PLC	±-
3 PLC	±-
4 PLC	±-
ANGLES	±-

MATERIAL

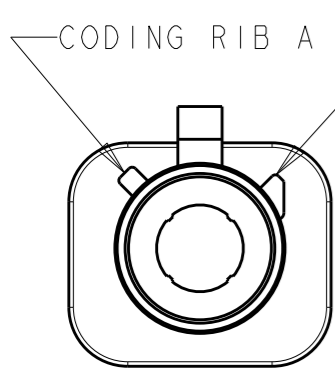
FINISH

-

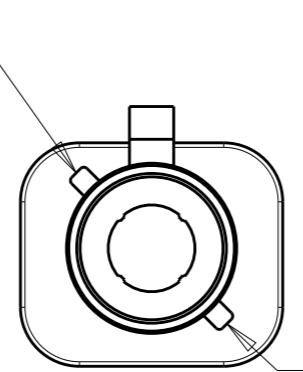
1470-19 (3/13)

THIS DRAWING IS UNPUBLISHED. RELEASED FOR PUBLICATION 20
 © COPYRIGHT 20 BY - ALL RIGHTS RESERVED.

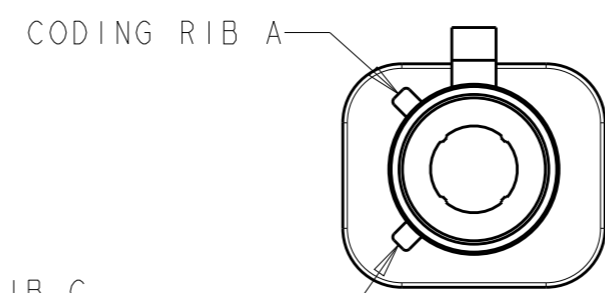
REVISIONS					
P	LTR	DESCRIPTION	DATE	DWN	APVD
	-	SEE SHEET 1	-	-	-



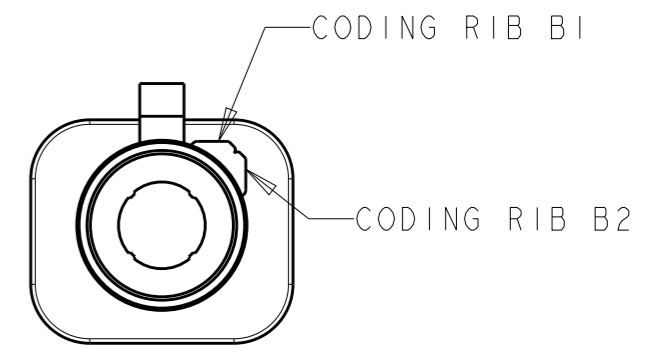
DETAIL B
SCALE 3:1



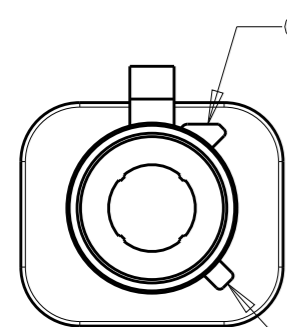
DETAIL C
SCALE 3:1



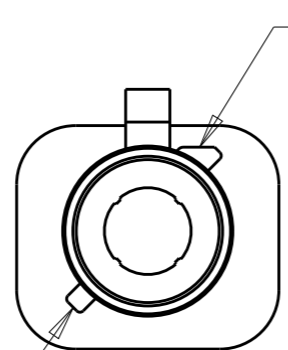
DETAIL D
SCALE 3:1



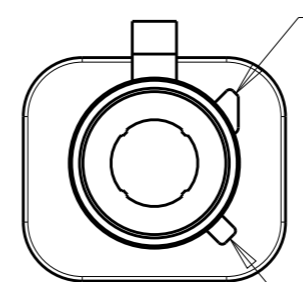
DETAIL E
SCALE 3:1



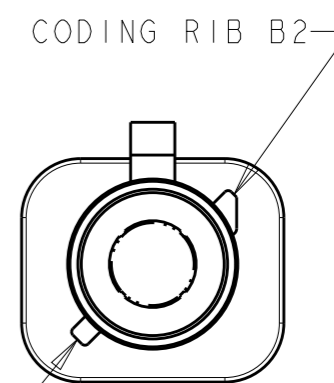
DETAIL F
SCALE 3:1



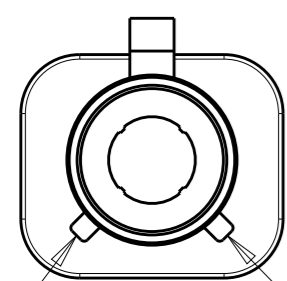
DETAIL G
SCALE 3:1




DETAIL H
SCALE 3:1



DETAIL I
SCALE 3:1



DETAIL K
SCALE 3:1

THIS DRAWING IS A CONTROLLED DOCUMENT.		DWN D. J. HARDY 04 JAN 2006	 TE Connectivity	
DIMENSIONS: mm		CHK J. W. HALL 05 JAN 2006		
TOLERANCES UNLESS OTHERWISE SPECIFIED:		APVD J. W. HALL 05 JAN 2006	NAME JACK HOUSING, 1 POSITION, FAKRA, SMB	
0 PLC ±- 1 PLC ±- 2 PLC ±- 3 PLC ±- 4 PLC ±- ANGLES ±-		PRODUCT SPEC -	RESTRICTED TO -	
MATERIAL -		APPLICATION SPEC 114-13157	SIZE A3	CAGE CODE 00779
FINISH -		WEIGHT -	DRAWING NO C-1438887	
		CUSTOMER DRAWING	SCALE 4:1	SHEET 2 OF 2
			REV A5	