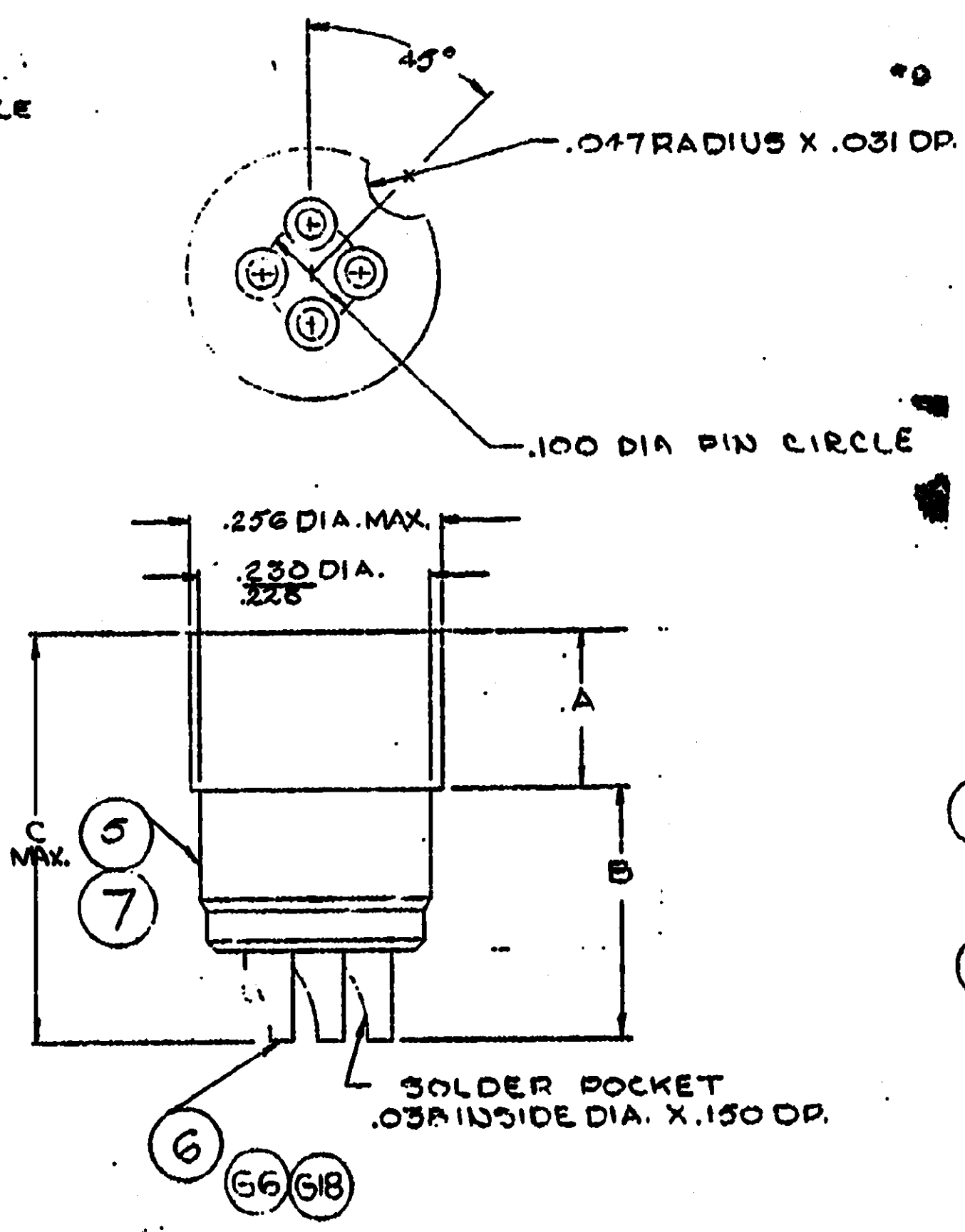
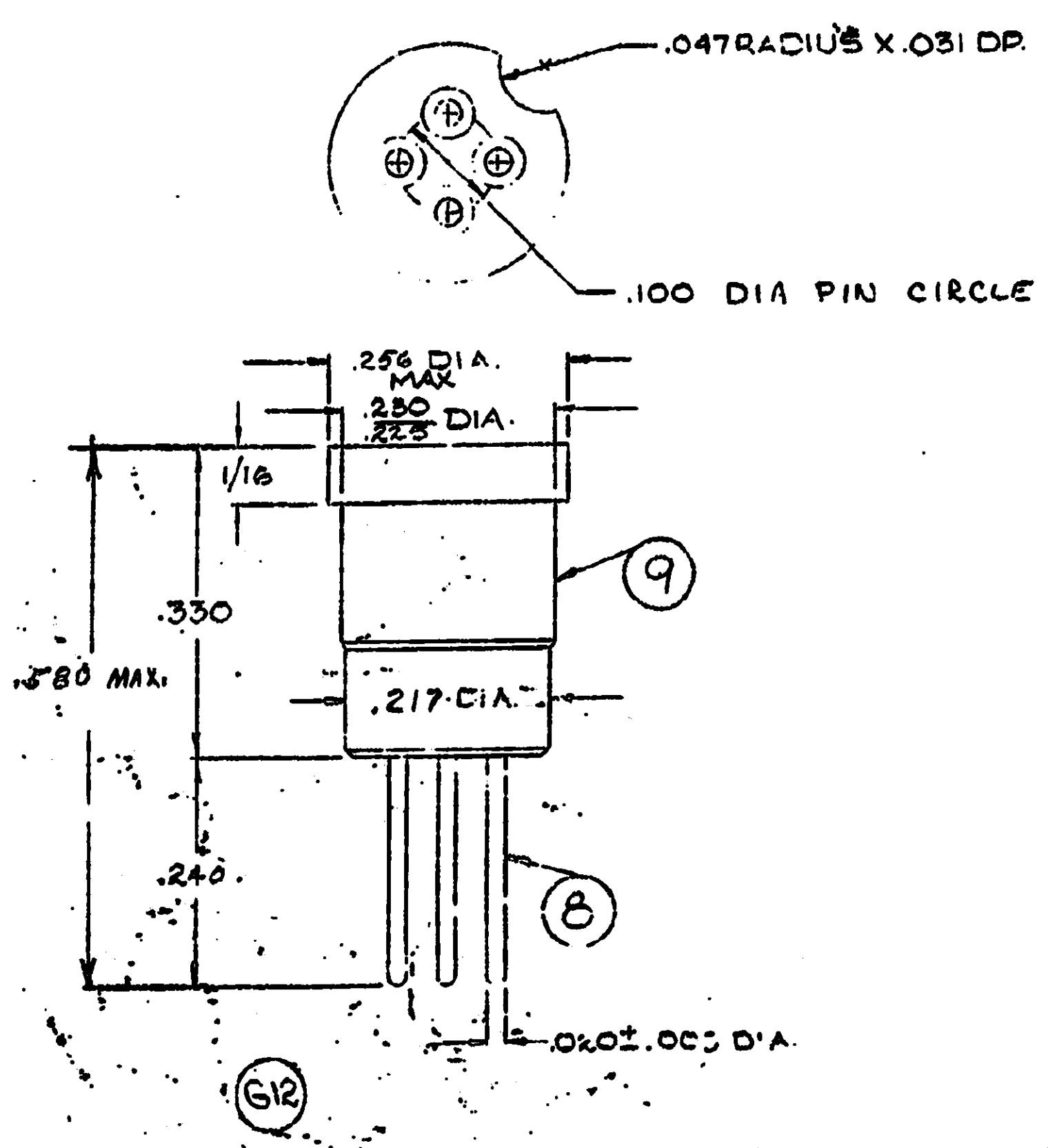
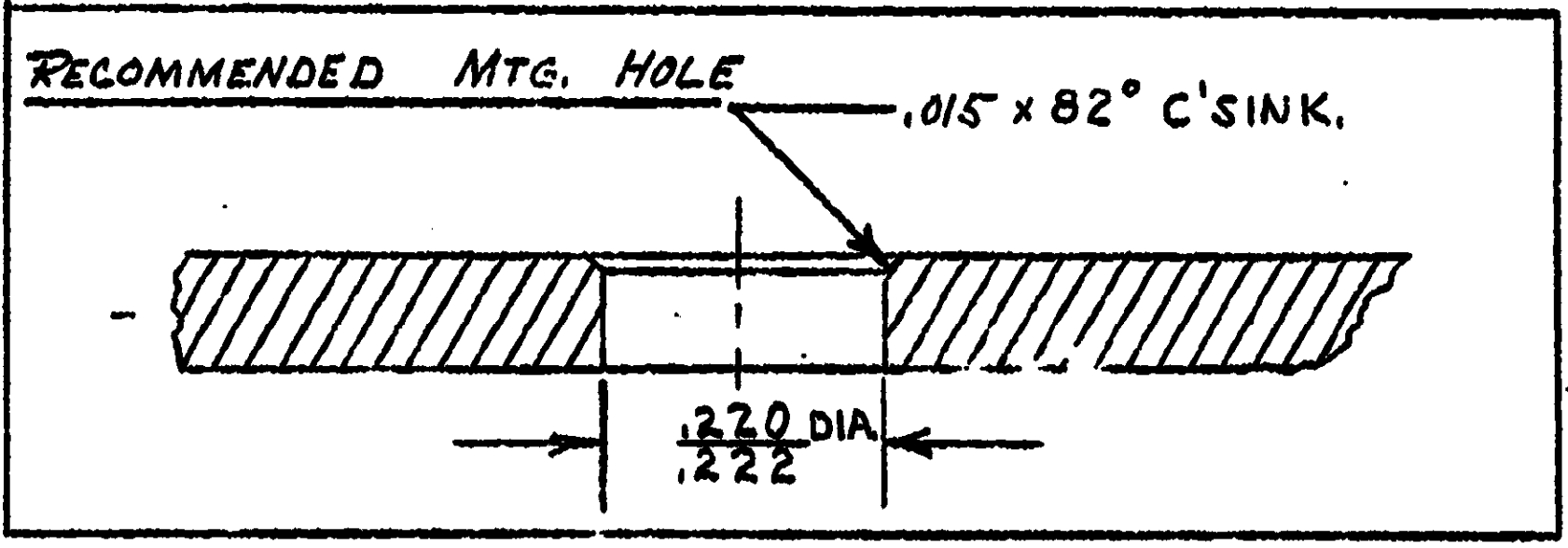
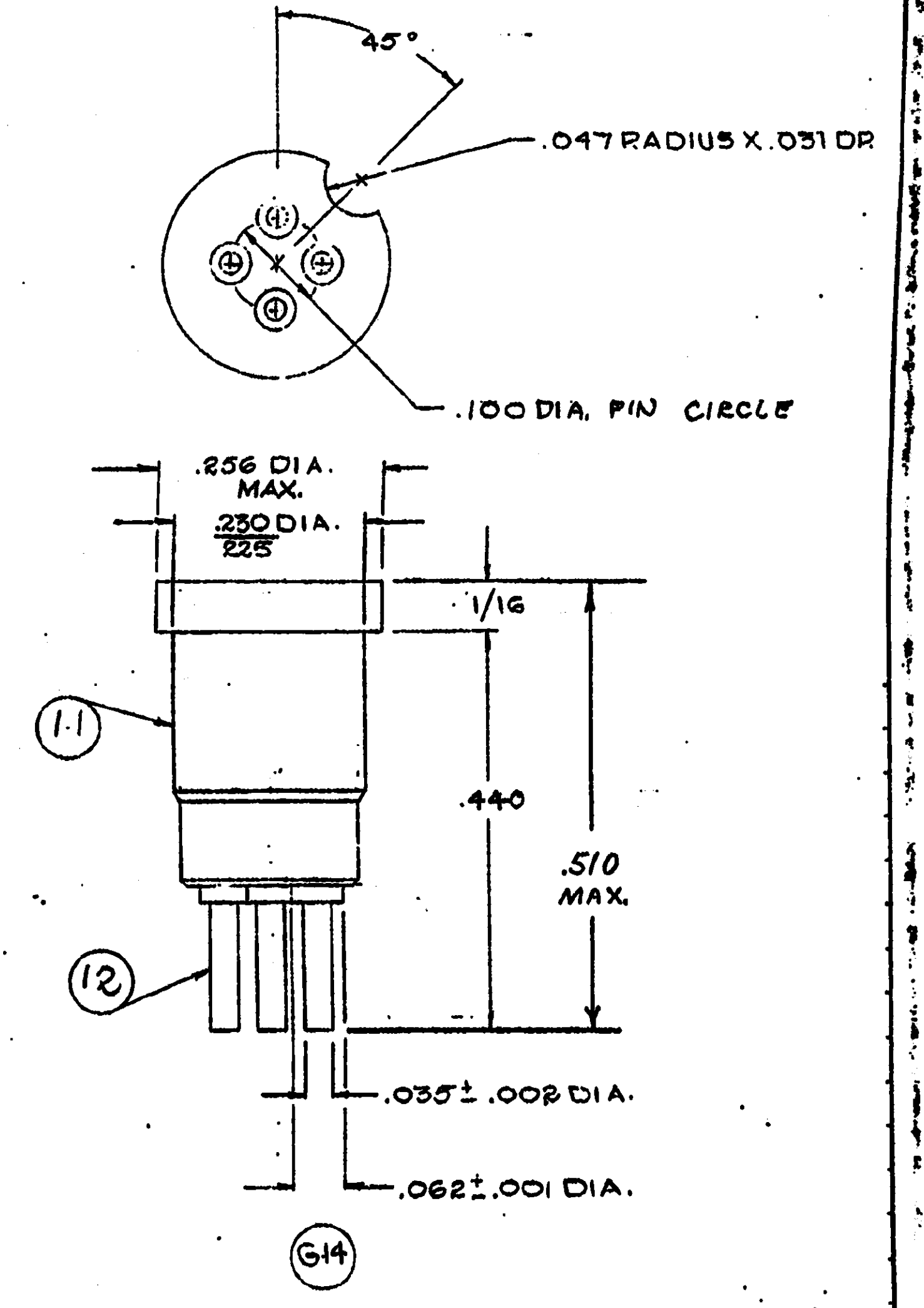
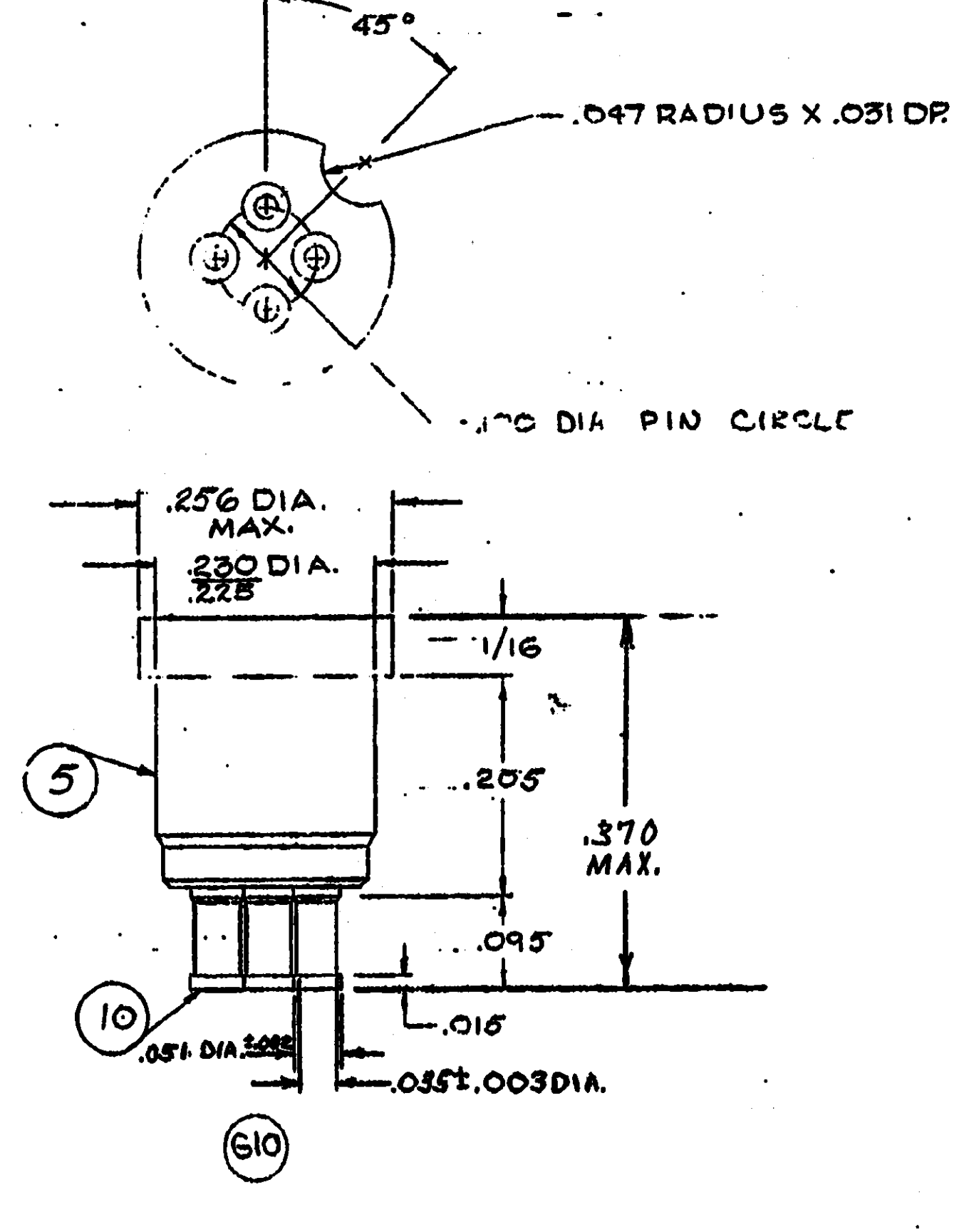
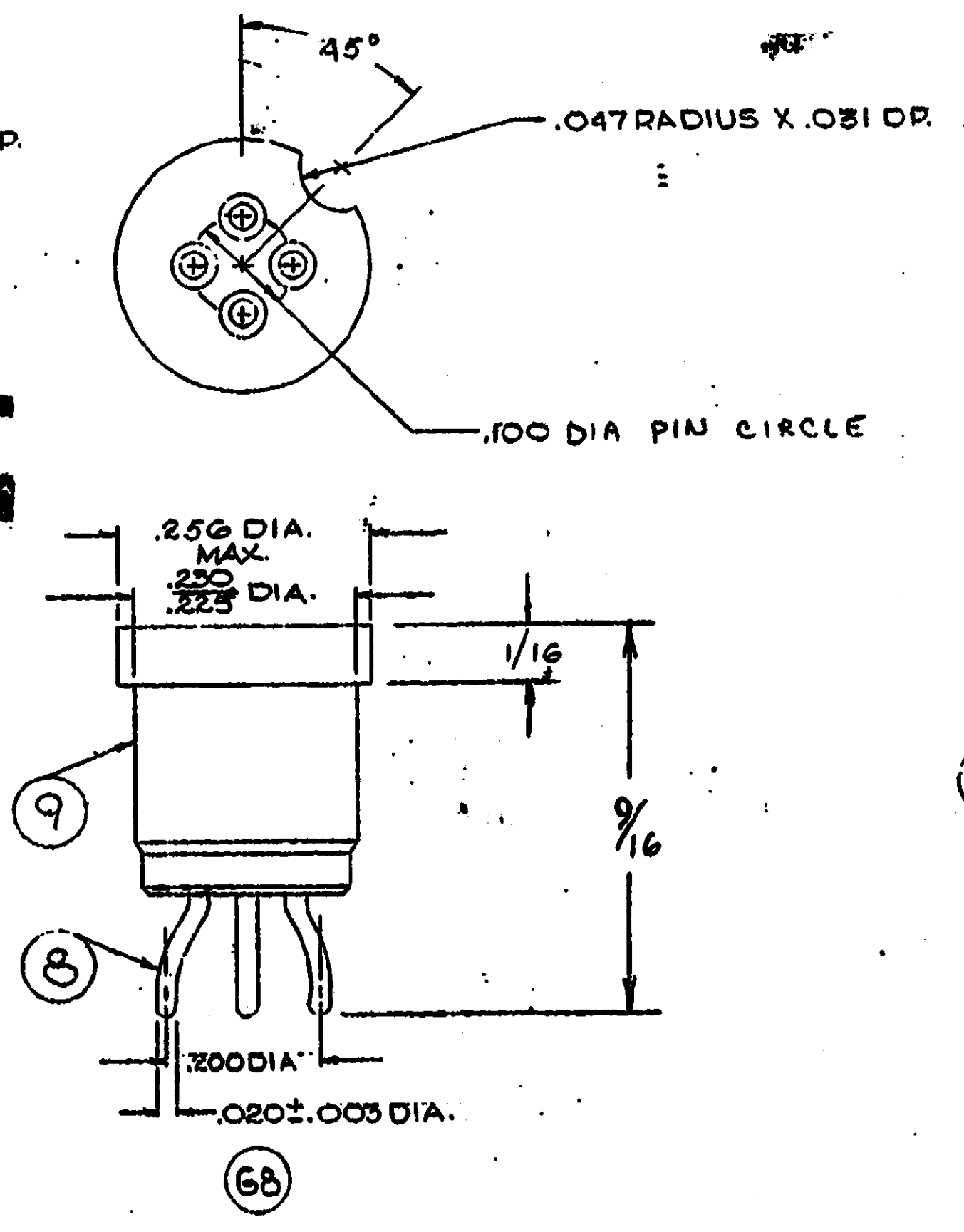


PART NUMBER	A	B	C MAX.
8060-164	.150	.103	.310
8060-1619	.100	.295	.495
8060-1622	.100	.295	.495



PART NUMBER	A	B	C MAX.
8060-166	.080	.346	.411
8060-1618	.168	.238	.411



NOTES:
 1. PART NUMBERS WITH THE SUFFIX 'R' WILL HAVE THE SOCKET TERMINALS RECESSED .010 ± .005.

QTY	DESCRIPTION	DWG. SIZE	DRAWING NUMBER	PART NO.
	CONTACT ASSY.			14
	INSULATOR			13
4	CONTACT ASSY.	B	8060-2P5	12
1	INSULATOR	D	8060-2P5	11
4	CONTACT ASSY.	B	SLST-1CG1-1	10
1	INSULATOR	D	8060-2P11	9
4	CONTACT ASSY.	B	SLST-1AG10-1	8
4	INSULATOR	B	8060-2P3	7
4	CONTACT ASSY.	B	SLST-1BG1-1	6
1	INSULATOR	D	8060-2P6	5
4	CONTACT ASSY.	B	SLST-1AG11-1	4
1	INSULATOR	D	8060-2P14	3
4	CONTACT ASSY.	B	SLST-1AG4-1	2
1	INSULATOR	D	8060-2P9	1

REV. NO. 1
 INITIAL RELEASE
 DATE 7-9-66
 BY J.W.W.
 APPROVED BY J.W.W.
 2
 CENTER TESTY
 DATE 7-14-66
 BY J.W.W.
 APPROVED BY J.W.W.
 3
 1784 & WAS ESTABLISHED
 FROM 4 MAX. (SEE DRAWING)
 1784 & WAS ESTABLISHED
 FROM 4 MAX. (SEE DRAWING)
 1784 & WAS ESTABLISHED
 FROM 4 MAX. (SEE DRAWING)
 1784 & WAS ESTABLISHED
 FROM 4 MAX. (SEE DRAWING)
 4
 R.F.S. 2-23-72
 APPROVED BY G14
 E.C.O. 4-21-72
 N.M.S. 7-14-72
 APPROVED BY J.W.W.
 5
 REVISION
 E.C.O. 1-18-95
 L.S. 2-6-15
 J.M.P.F.S. 2-6-15

SCALE: 6 X 1
 DR. J. WALKER DATE 6-9-66
 APP'D BY: J.W.W. DATE 7-9-66
 NEXT ASSY. SHEET - 2 OF 4

MATERIAL: _____
 FINISH: _____

NAME: ASSEMBLY, SOCKET
 DWG. NO.: 8060-1KXR
 8060-1

Property of Tyco Electronics Corporation
 QUST Dwg. 1437504-3 REV. 99 PG. 1 OF 1