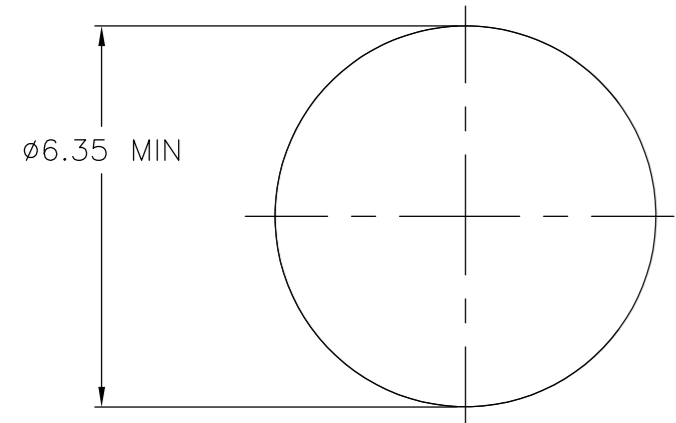
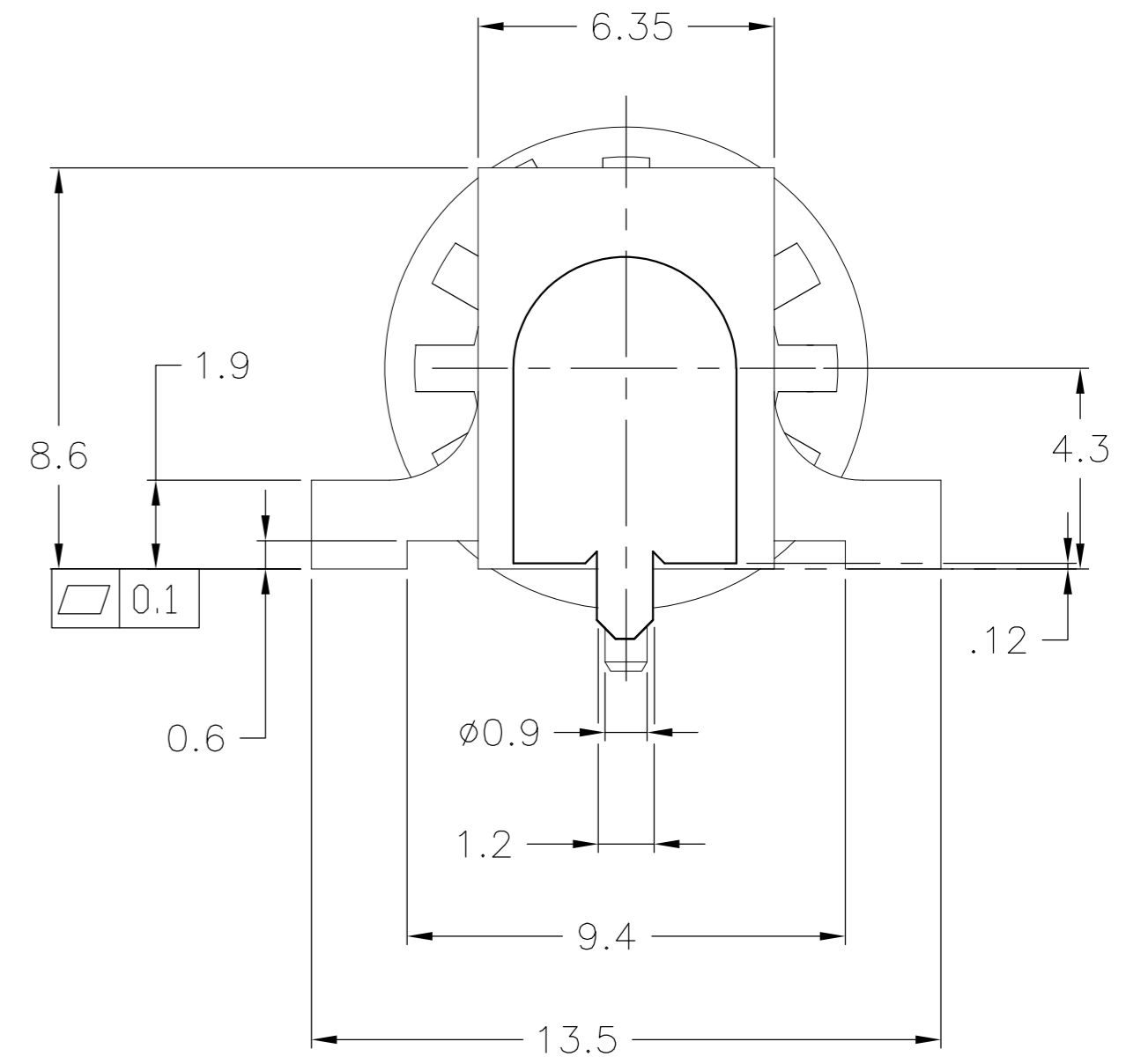
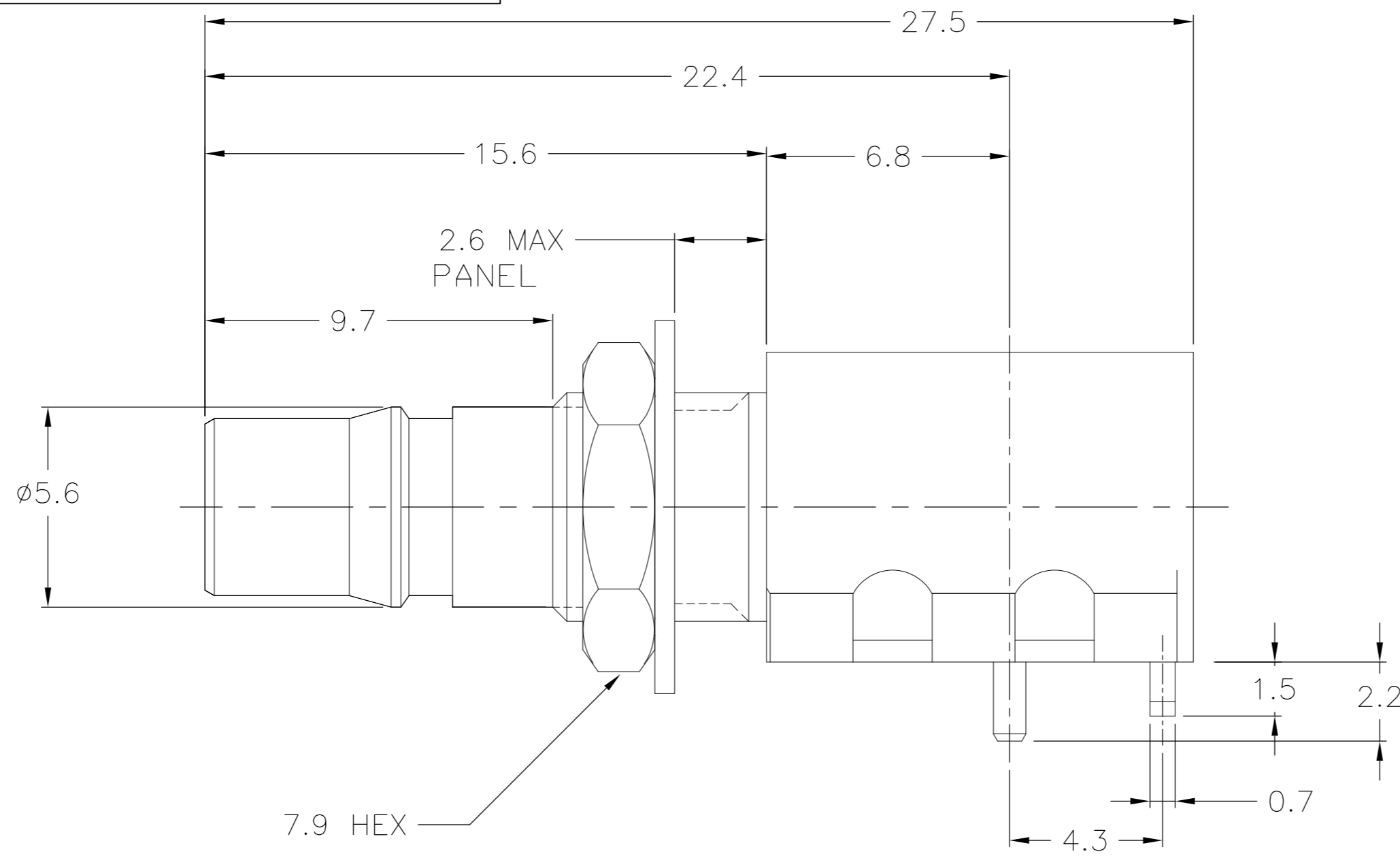
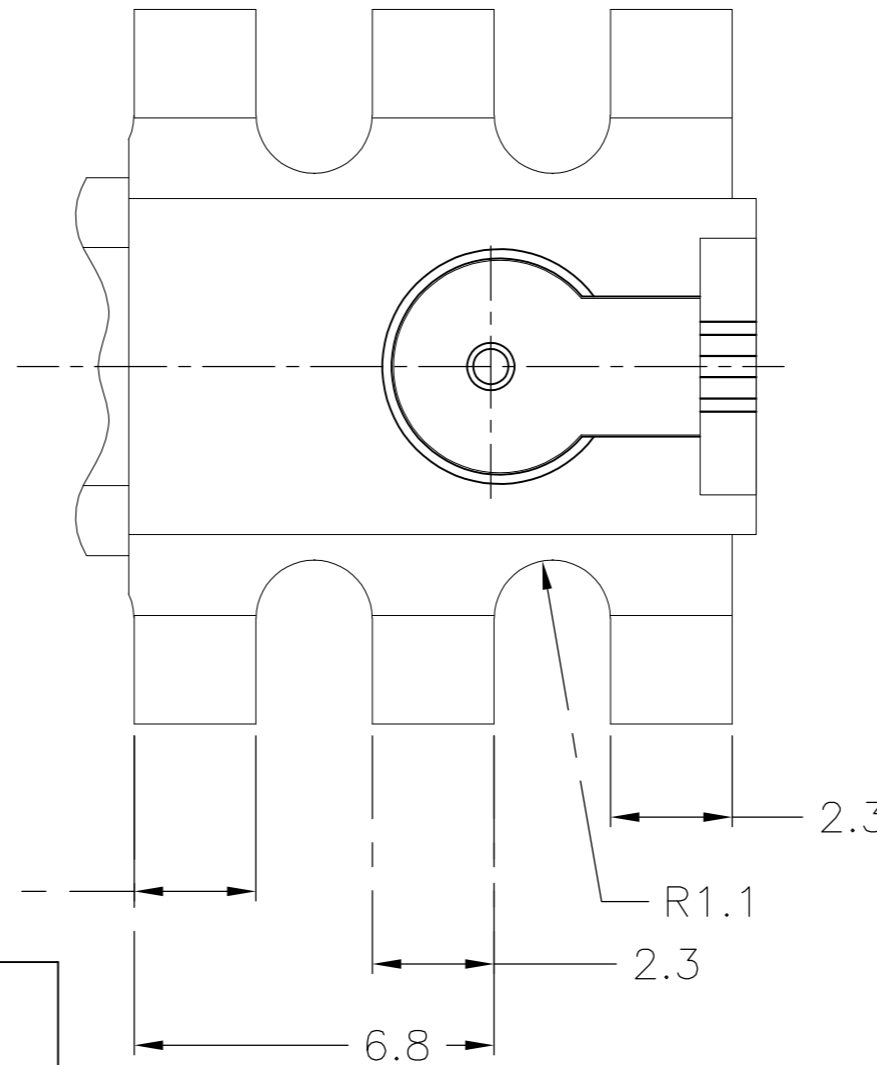


THIS DRAWING IS UNPUBLISHED. RELEASED FOR PUBLICATION  
 © COPYRIGHT BY TYCO ELECTRONICS CORPORATION. ALL RIGHTS RESERVED.

| LOC |     | DIST        |                           | REVISIONS |     |      |  |
|-----|-----|-------------|---------------------------|-----------|-----|------|--|
| P   | LTR | DESCRIPTION |                           | DATE      | DWN | APVD |  |
| AJ  | 00  | E1          | REVISED PER ECO-07-019279 | 16AUG2007 | DW  | BW   |  |



RECOMMENDED MOUNTING HOLE  
 SCALE: NTS



|                |                 |        |                        |       |
|----------------|-----------------|--------|------------------------|-------|
| CENTER CONTACT | PHOSPHOR BRONZE | GOLD   | 0.7μm                  | 0.7μm |
| HOUSING, CAP   | BRASS           | GOLD   | 0.7μm                  | 0.2μm |
| NUT            | BRASS           | GOLD   | 1.27μm                 | 0.2μm |
| WASHER         | BRONZE          | GOLD   | 1.27μm                 | 0.2μm |
| DIELECTRIC     | PTFE            | N/A    | N/A                    | N/A   |
| COMPONENT      | MATERIAL        | FINISH | -1                     | -3    |
|                |                 |        | PLATING THICKNESS, MIN |       |

|     |             |             |           |             |
|-----|-------------|-------------|-----------|-------------|
| 2/5 | 8-1403077-6 | 6-1403080-0 | 1408520-2 | 1408463-3   |
| 2   | 4-1403077-1 | 5-1403080-2 | 1408520-1 | 1408463-1   |
|     | MTG NUT     | WASHER      | HSG ASSY  | PART NUMBER |

THIS DRAWING IS A CONTROLLED DOCUMENT.

|                  |                                |          |
|------------------|--------------------------------|----------|
| DWN              | DCam                           | 11/20/02 |
| CHK              | -                              | -        |
| APVD             | -                              | -        |
| PRODUCT SPEC     | 108-2087                       |          |
| APPLICATION SPEC | -                              |          |
| WEIGHT           | 7.71 grams                     | A2 00779 |
| CUSTOMER DRAWING | SCALE 10:1 SHEET 1 of 3 REV E1 |          |

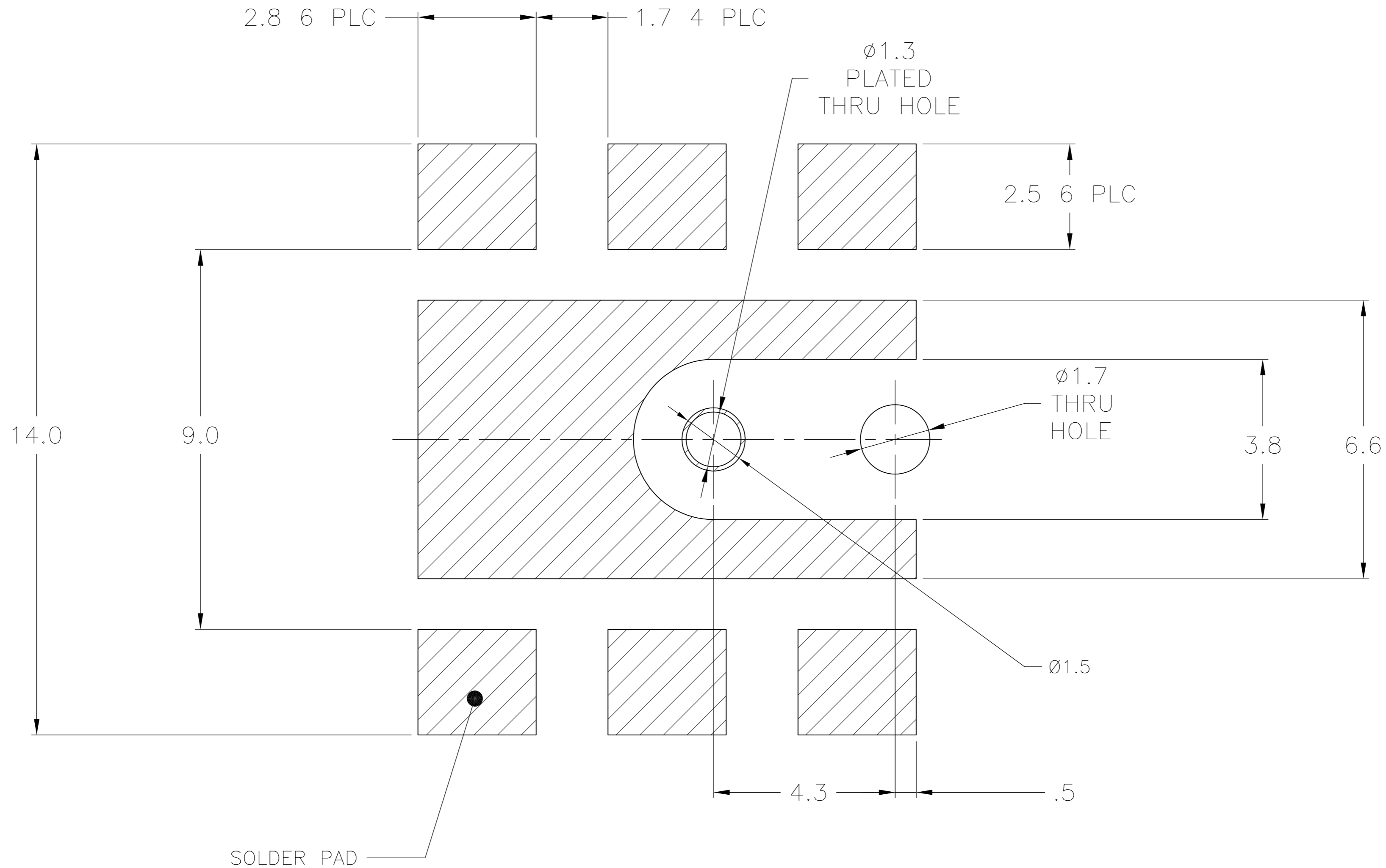
Tyco Electronics Corporation  
 Norwood, MA 02062

QMA RIGHT ANGLE SMT JACK RECEPTACLE

SIZE CAGE CODE DRAWING NO RESTRICTED TO  
 A2 00779 C=1408463 -

THIS DRAWING IS UNPUBLISHED. RELEASED FOR PUBLICATION  
 © COPYRIGHT BY TYCO ELECTRONICS CORPORATION. ALL RIGHTS RESERVED.

| LOC | DIST | REVISIONS   |      |     |      |
|-----|------|-------------|------|-----|------|
| P   | LTR  | DESCRIPTION | DATE | DWN | APVD |
| HC  | 00   | SEE SHEET 1 | -    | -   | -    |

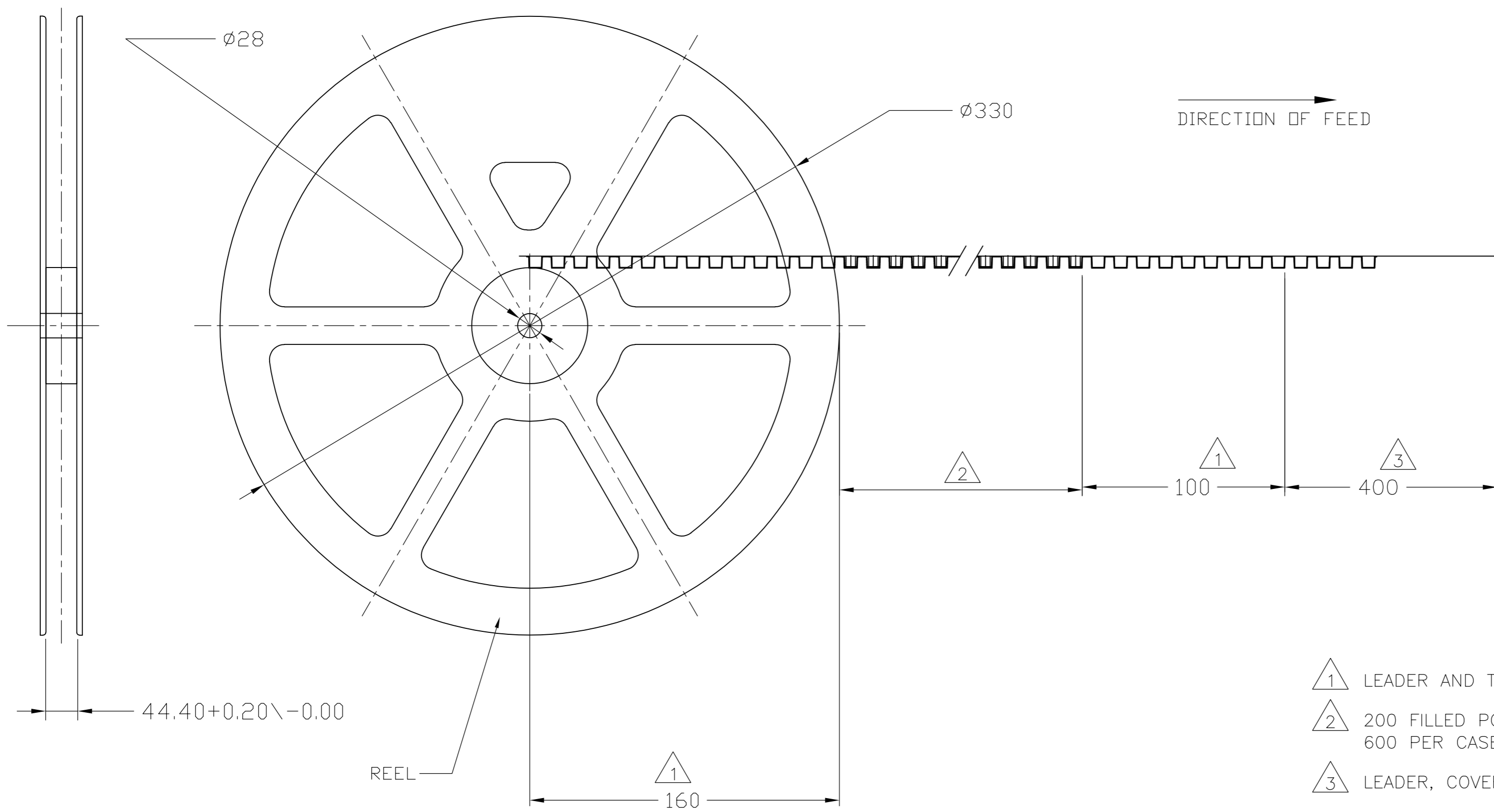


|  |  |                  |          |  |  |
|--|--|------------------|----------|--|--|
| THIS DRAWING IS A CONTROLLED DOCUMENT.   |  | DWN              | 11/20/02 |  | Tyco Electronics Corporation<br>Norwood, MA 02062      |
| DIMENSIONS: mm   |  | CHK              | -        |  |  |
| TOLERANCES UNLESS OTHERWISE SPECIFIED:   |  | APVD             | -        |  | NAME<br>QMA RIGHT ANGLE SMT JACK RECEPTACLE PCB LAYOUT |
| 0 PLC ± -<br>1 PLC ± 0,1<br>2 PLC ± 0,05<br>3 PLC ± -<br>4 PLC ± -<br>ANGLES ± - |  | PRODUCT SPEC     | -        |  |  |
| MATERIAL -   |  | FINISH           | -        |  | SIZE   |
|  |  | WEIGHT           | -        |  | CAGE CODE  |
|  |  | CUSTOMER DRAWING | -        |  | DRAWING NO   |
|  |  | SCALE            | NTS      |  | RESTRICTED TO  |
|  |  | SHEET            | 2 OF 3   |  | REV  |
|  |  | REV              | E1       |  |  |

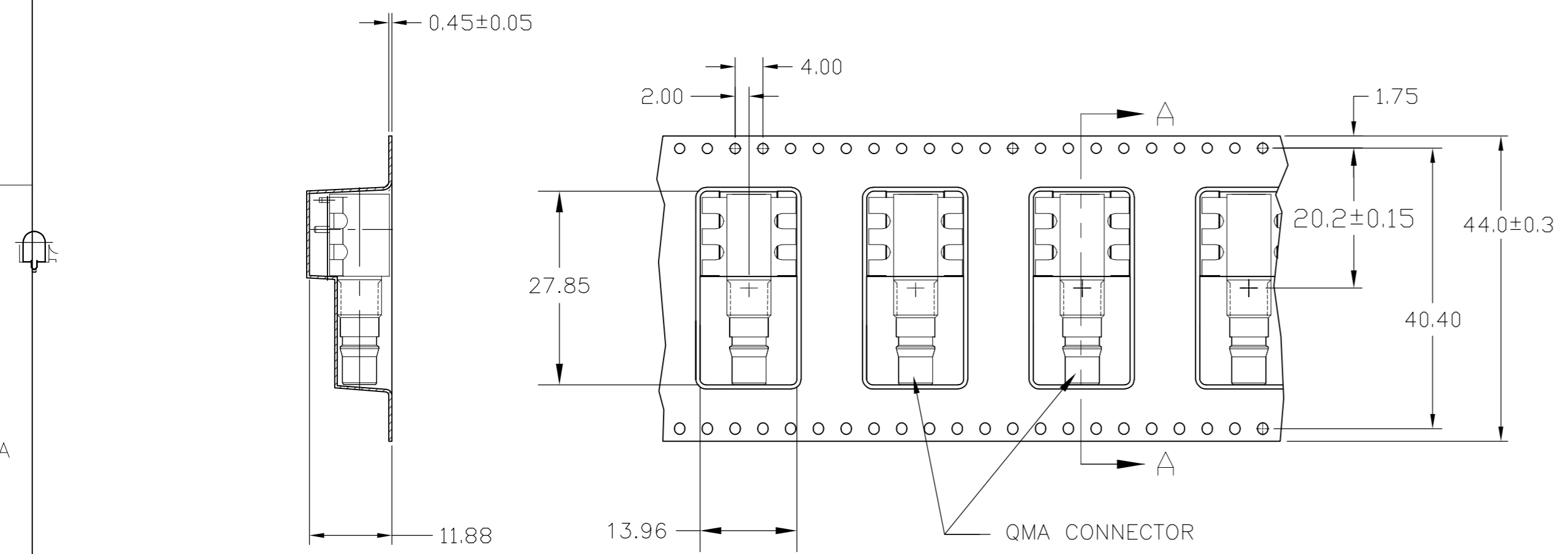
1408463

THIS DRAWING IS UNPUBLISHED. RELEASED FOR PUBLICATION  
 © COPYRIGHT BY TYCO ELECTRONICS CORPORATION. ALL RIGHTS RESERVED.

| LOC |     | DIST        |      | REVISIONS |      |  |  |
|-----|-----|-------------|------|-----------|------|--|--|
| P   | LTR | DESCRIPTION | DATE | DWN       | APVD |  |  |
| HC  | 00  | SEE SHEET 1 | -    | -         | -    |  |  |



- 1 LEADER AND TRAILER EMPTY POCKETS BUT SEALED WITH COVER TAPE
- 2 200 FILLED POCKETS PER REEL @ 24mm CENTERLINE. 600 PER CASE (3 REELS)
- 3 LEADER, COVER TAPE
- 4 REELED PRODUCT PER SPEC EIA 481
- 5 PRODUCT HAS NOT COMPLETED VALIDATION TESTING



|  |  |                  |            |   |           |
|--|--|------------------|------------|---|-----------|
| THIS DRAWING IS A CONTROLLED DOCUMENT. |  | DWN              | 11/20/02   | Tyco Electronics Corporation<br>Norwood, MA 02062 |           |
| DIMENSIONS: mm                         |  | CHK              | -          | NAME  |           |
| TOLERANCES UNLESS OTHERWISE SPECIFIED: |  | APVD             | -          | QMA RIGHT ANGLE SMT JACK RECEPTACLE               |           |
| 0 PLC ± -                              |  | PRODUCT SPEC     | 108-2087   | SIZE  | A2        |
| 1 PLC ± 0,2                            |  | APPLICATION SPEC | -          | CAGE CODE   | 00779     |
| 2 PLC ± 0,13                           |  | WEIGHT           | 7.71 grams | DRAWING NO  | C=1408463 |
| 3 PLC ± -                              |  | MATERIAL         | -          | RESTRICTED TO                                     | -         |
| 4 PLC ± -                              |  | FINISH           | -          | SCALE   | NTS       |
| ANGLES ± 1°                            |  | CUSTOMER DRAWING |            | SHEET   | 3 OF 3    |
| FINISH                                 |  |                  |            | REV   | E1        |

1408463