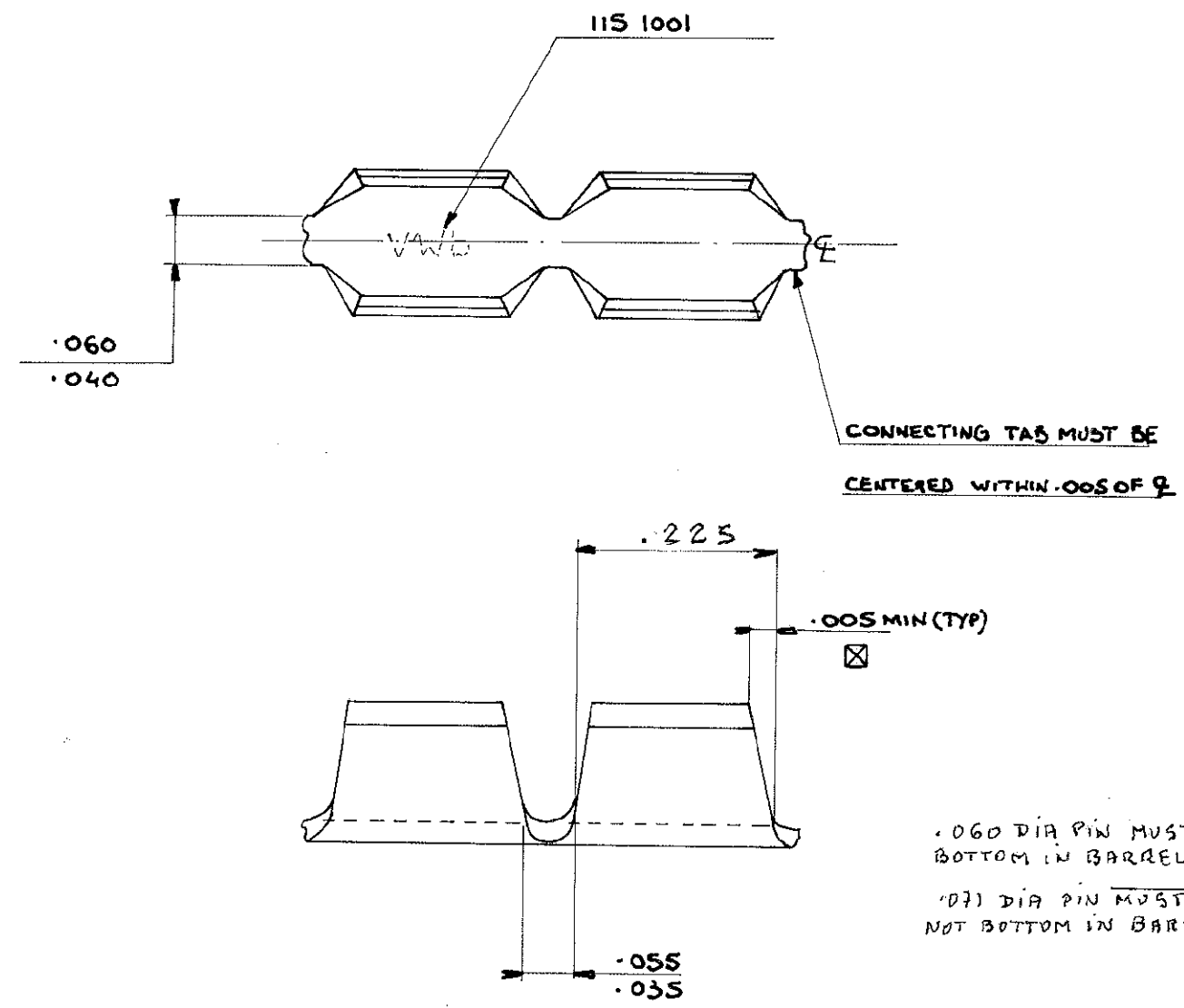


N° 140778
A3

METRIC		CODE	GAGE NO

NOTES -
 ⚠️ NI PLATED 112-25.2 THK .000150 MIN. OVER COPPER FLASH
 LUBRICATE AFTER PLATING SPEC 118-53.2
 COPPER FLASH OPTIONAL FOR FOREIGN PRODUCTION
 2 SPLICE FREE PER SPEC 115-1000

⚠️ TIN PLATED 112-16.3 THK .000080/.000250
 ⚠️ FOREIGN PRODUCTION
 ⚠️ FOR SPANISH PRODUCTION = Nickel plated per 112-246-1
 .000110 (3 μm) min thk. over optional copper flash.
 Lubricate after plating (4-790452-3).



7-702410-0	PRE-NI PLATED 112-25.2 THK 2 μm MIN	STEEL 100-21 T4	140837-3
77373-0	NICKEL PLATED 112-25.2	STEEL 100-21 T4	140837-2
	PLAIN		140837-1
	TIN PLATED 112-16-3	BRASS 100-41027 T2	140778-2
	PLAIN		140778-1
MATERIAL STOCK NUMBER	FINISH	MATERIAL	AMP PART NUMBER

Ce plan est confidentiel, il ne peut être communiqué à quiconque n'appartenant pas à AMP sans une autorisation écrite de AMP de France SA

DIMENSIONS IN MM. DO NOT SCALE PRINT. Dimensions en mm. Restitution non à l'échelle

K	Added NOTE 6	8/29	DR 11/01
J	285 WAS 209/219	10M WAS 2014	PR 11/3/87
I	WITHDRAWN NOTE B	4618	REV 11/1/87
H	ADDED PN 140837-3	4602	REV 2/2/87
G	REDRAWN AND UP DATED	4474	REV 11/1/87
	WAS NPS		
DIST	1		
LTR	REVISION RECORD	ECN	DR DATE

SPECIFICATIONS	WIRE CRIMP	INS. CRIMP	SB.
REELING - 107-3 FIG 10	LAYOUT NO	SURFACE AREA - 1842 SQ. IN	QTY/REEL
SPLICE - 115	DIE 1253		10M
HEAT TREATING - 111	DIE FEED	APPL FEED	
FINISH - 112			
	WDW .343	IDW	

STOCK THK .0201 x .343	REF	REF	WIRE RANGE
TRIMMING BURR NOT TO EXCEED	IN.	IN.	1.500 TO 4.500 CMA
Control Priority Dimensions		UNLESS OTHER WISE SPECIFIED ± 0.12 MM	
<input checked="" type="checkbox"/> CRITICAL <input checked="" type="checkbox"/> MAJOR <input type="checkbox"/> MINOR		NAME	
DR B. ALLAIS 16 JANVIER 1987	APPD	SCALE	
CHK REV 11/2/87	REL	LOC	NUMBER

AMP		AMP DE FRANCE 95301 PONTOISE	
SPLICE			
SCALE	LOC	NUMBER	SHEET
5	F B	140778	1/1
			REV
			K