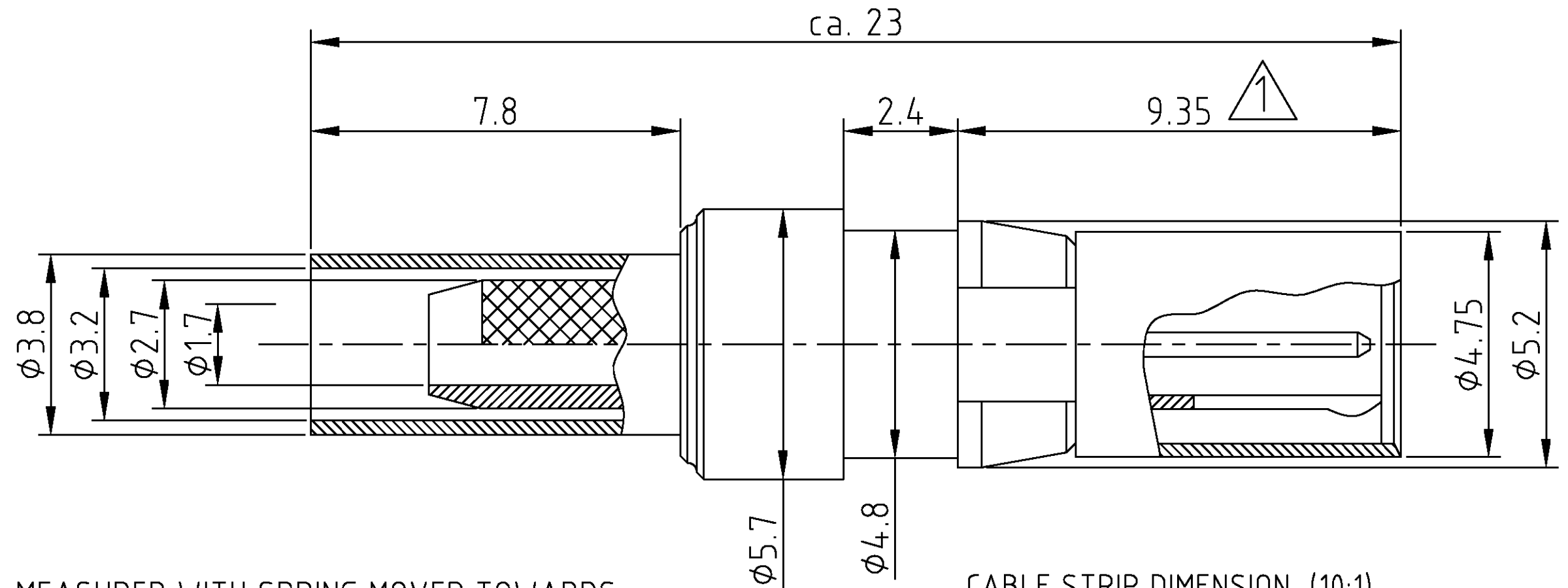


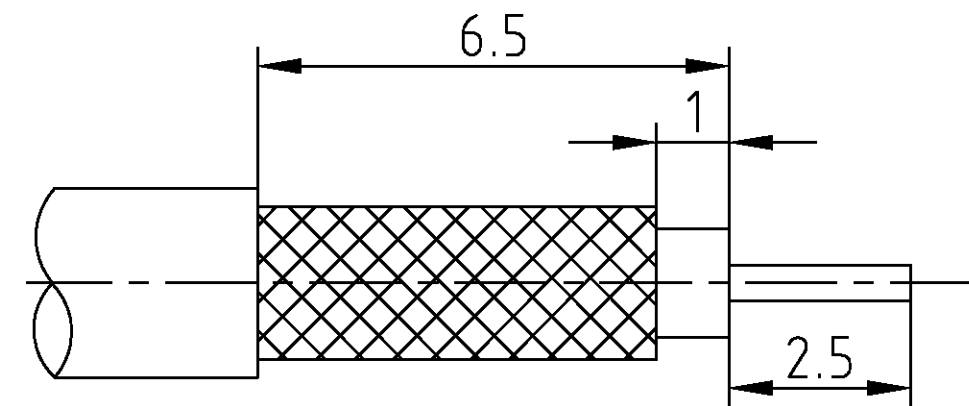
DRAWING NR. 1392019	DO NOT SCALE THIS DRAWING	SPECIFICATIONS SUBJECT TO CHANGE	DRAWING VALID FROM	04/01	DRAWING PROTECTED BY © COPYRIGHT	REV.	CHANGE	DATE	NAME
	ARRETES NON COTEES PAS A L'ECHELLE	LES DONNEES TECHNIQUES PEUVENT ETRE CHANGEES	DESSIN VALABLE DEPUIS LE		AMP COMPANY, ALL RIGHTS RESERVED	0	OU60-0098-00	29/9/2000	Mattheeuws
						01	SR10-0007-01	8/1/2001	Mattheeuws



 MEASURED WITH SPRING MOVED TOWARDS THE MATING FACE

- STANDARD: ACCORDING TO DIN 41626, PART 2
- SPRING CONTACT: BERYLLIUM - COPPER
- CONTACT PLATING: GOLD
- DIELECTRIC: PTFE
- FULL CRIMP CENTER CONTACT: SQ 0.7  
OUTER CONDUCTOR: HEX 3.2
- ASSEMBLED ACCORDING TO ASSEMBLY INSTRUCTION 114-90006

CABLE STRIP DIMENSION (10:1)



-	-			-
-	0-139019-1			1
DWG SIZE	PART NO	REV	DESCRIPTION	ITEM NO
	DRAWN BY K. Donnet	27.09.00	CHEKED BY K. Mattheeuws	27.09.00

<b>AMP</b>		DSM AN AMP COMPANY ST MAURICE, SWITZERLAND	
DESCRIPTION			<b>C</b>
COAX INSERT CABLE PLUG FOR CABLE RG 316 / RG 174 / RG 188			
DIMENSIONS WITH ANY TOLERANCE	FORMAT	DRAWING NR.	A
$\pm 0.2$ $\pm 2^\circ$	A3	1392019	
SCALE	SHEET	REV.	
10:1	1 OF 1	0	