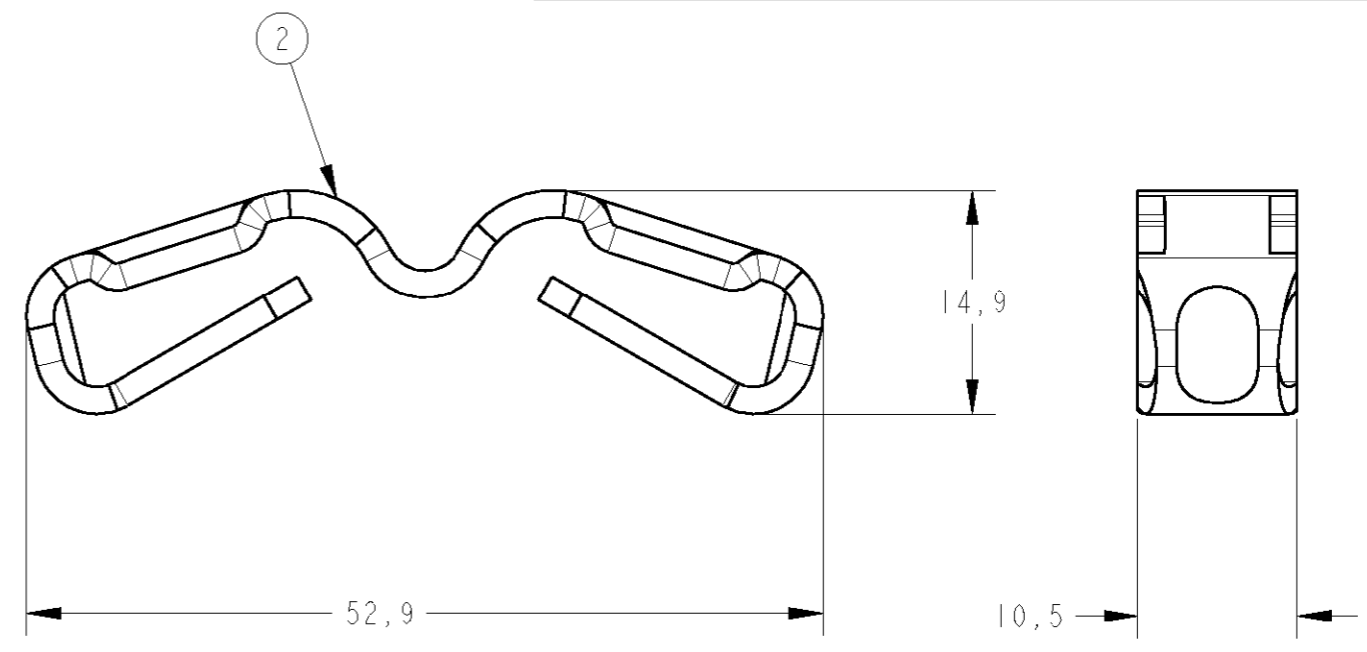
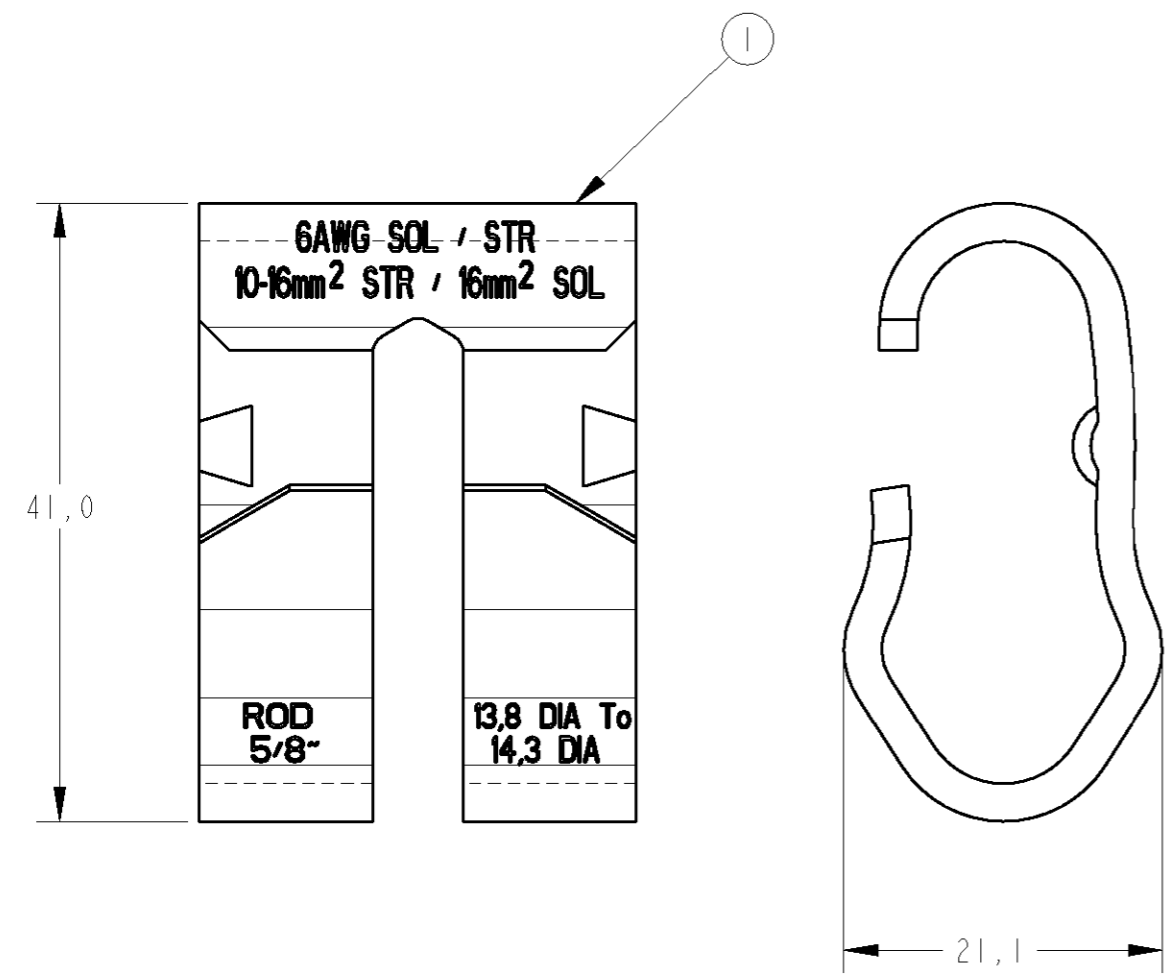


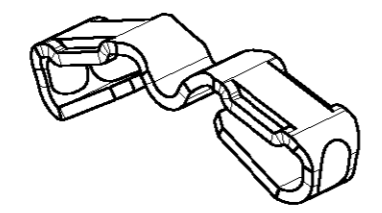
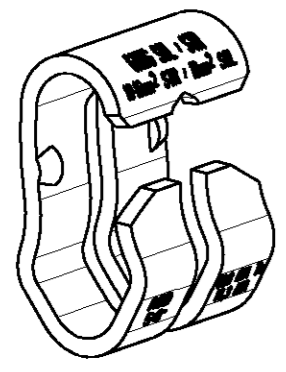
THIS DRAWING IS UNPUBLISHED. RELEASED FOR PUBLICATION 20
 © COPYRIGHT 20 BY TYCO ELECTRONICS CORPORATION. ALL RIGHTS RESERVED.

LOC	DIST	REVISIONS			
P	LTR	DESCRIPTION	DATE	DWN	APVD
AP	-	0	RELEASED	05JUL2001	VF JAL



1 - PACKAGED IN PLASTIC BAG, CONTAINED USUAL COMBINATIONS ENGRAVING.
 1 - EMBALADO EM SACO PLÁSTICO, CONTENDO GRAVAÇÃO DAS COMBINAÇÕES USUAIS.

REQ. PER ASSY	ITEM	DESCRIPTION	MATERIAL	FINISH
	1	PLASTIC BAG	POLYTHYLENE	---
	2	TGC WING MEMBER	COPPER ALLOY	---
	1	TGC "C" MEMBER	STAINLESS STEEL	---
1380278				



SCALE 1:1

SCALE 1:1

CAD
 Pro-E
 DO NOT REVISE EXCEPT BY CAD

THIS DRAWING IS A CONTROLLED DOCUMENT FOR TYCO ELECTRONICS CORPORATION. IT IS SUBJECT TO CHANGE AND THE CONTROLLING ENGINEERING ORGANIZATION SHOULD BE CONTACTED FOR THE LATEST REVISION.

DIMENSIONS:	TOLERANCES UNLESS OTHERWISE SPECIFIED:	DWN	05JUL2001	 Tyco Electronics LTDA. São Paulo, Brasil
mm	0 PLC ±-	CHK	05JUL2001	
	1 PLC ±1,0	APVD	05JUL2001	
	2 PLC ±-			
	3 PLC ±-	PRODUCT SPEC		NAME
	4 PLC ±-	108-37051		TGC ASS'Y
	ANGLES ±-	APPLICATION SPEC		5/8" x 6AWG-10/16mm2
	FINISH -	411-37030		SIZE
MATERIAL	SEE TABLE	WEIGHT ~58,6g		CAGE CODE
		CUSTOMER DRAWING		DRAWING NO
				RESTRICTED TO
				A3 00779
				SCALE 2:1
				SHEET 1 OF 1
				REV 0