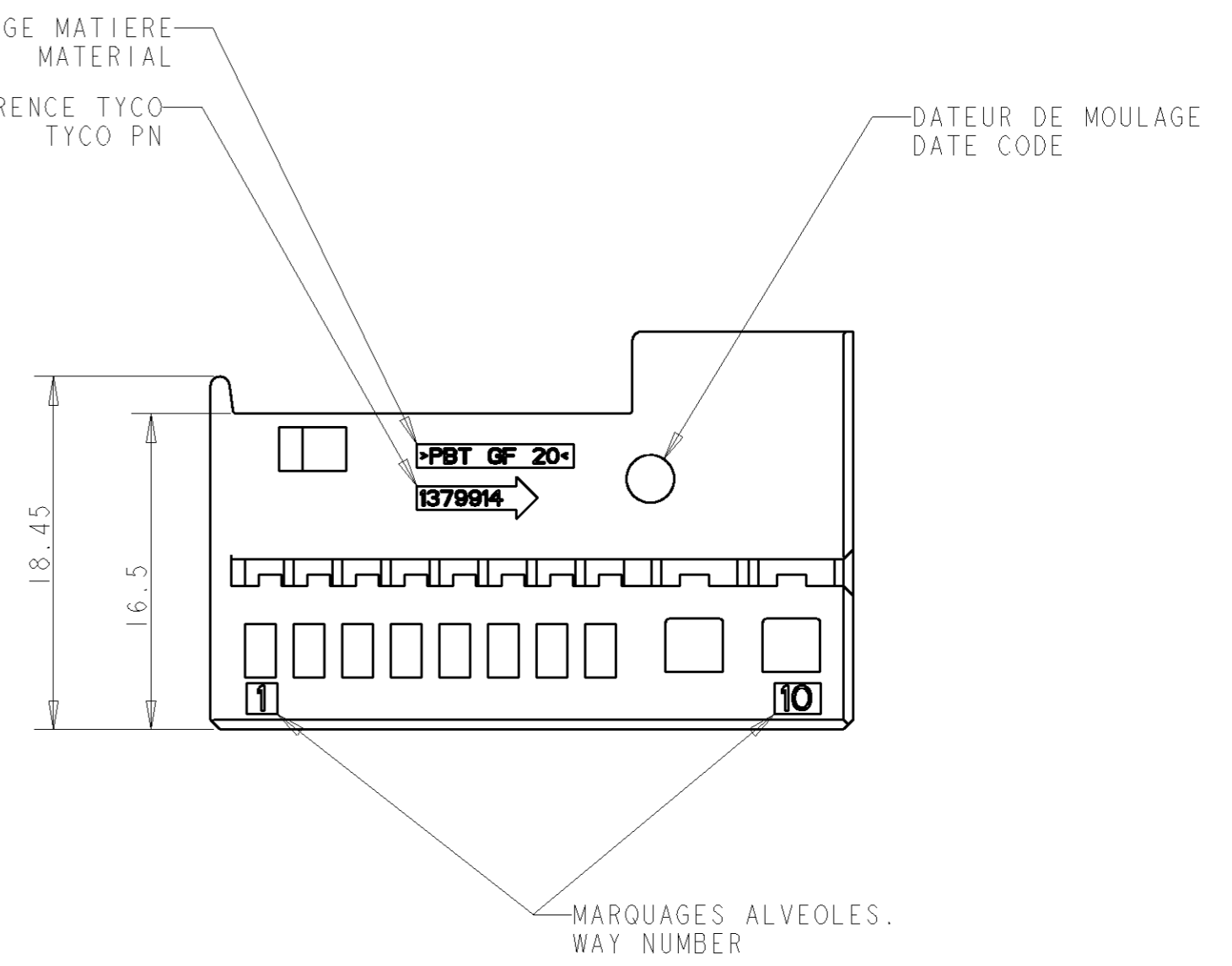
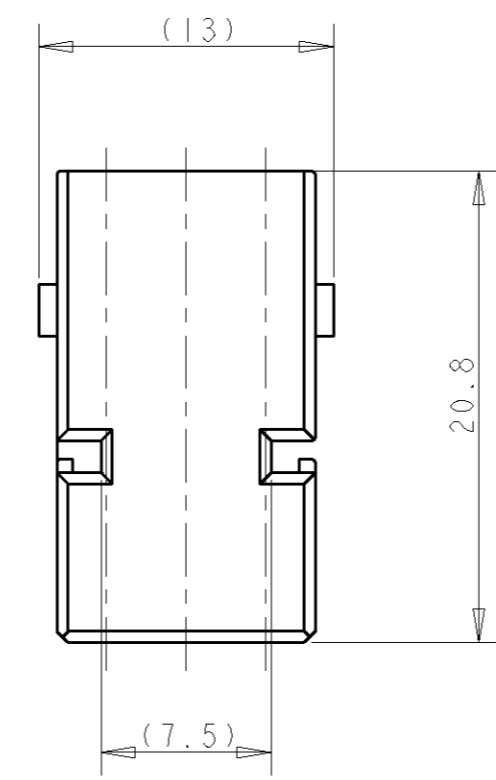
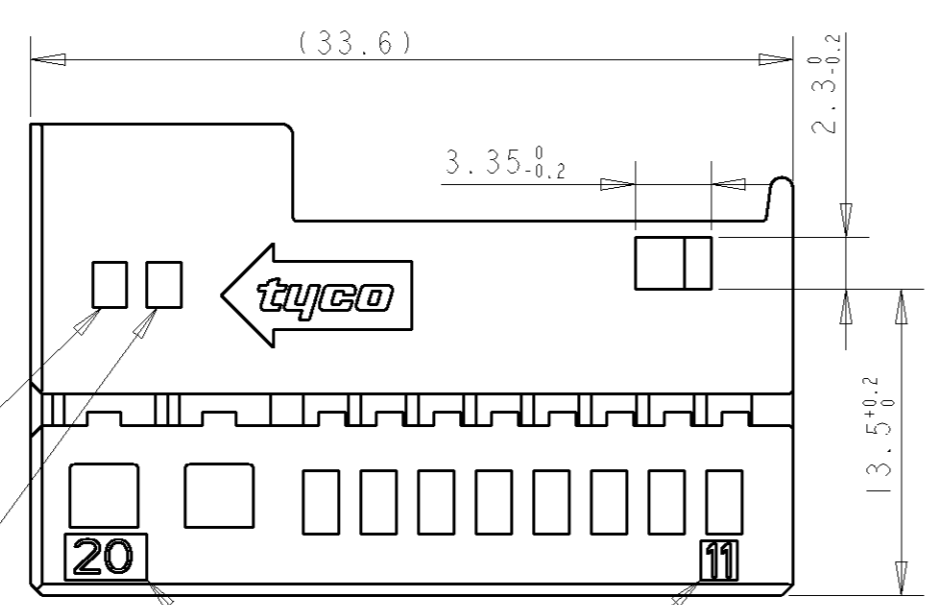
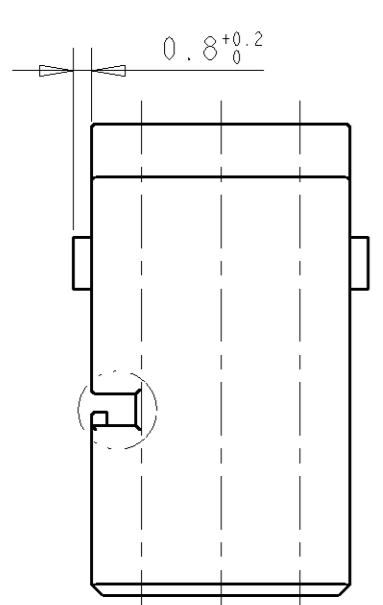
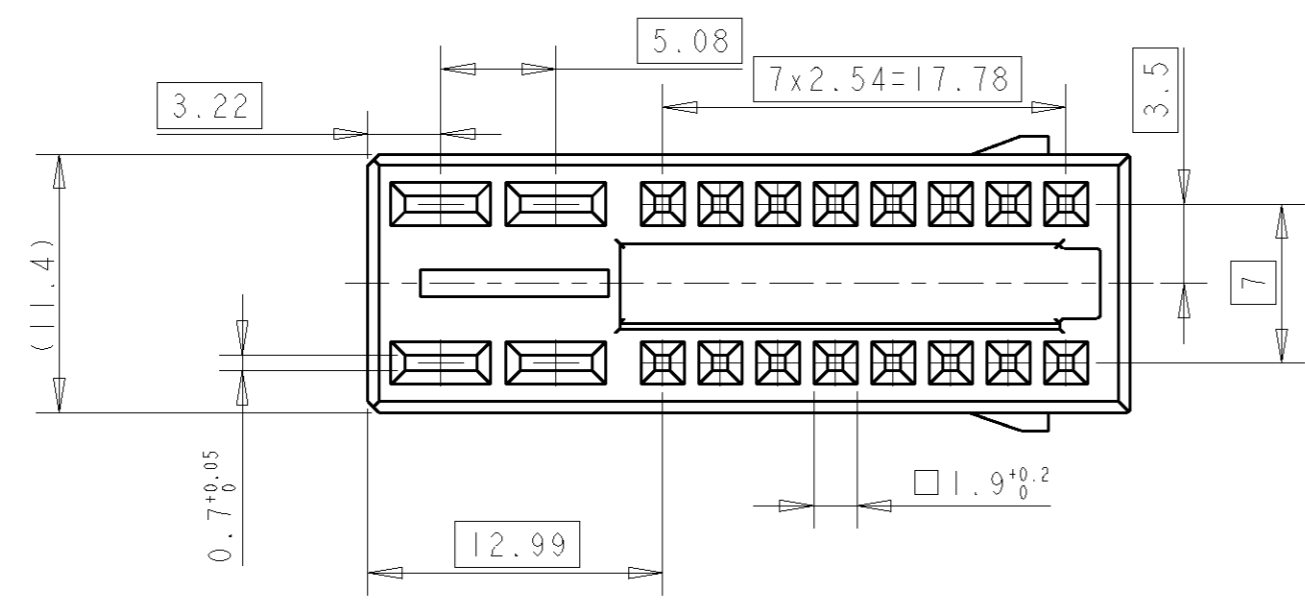
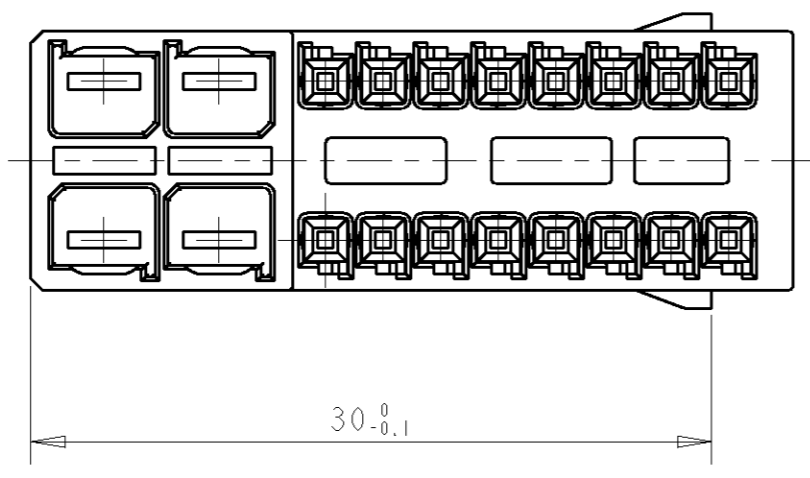


THIS DRAWING IS UNPUBLISHED.
 DIFFUSION RESTREINTE
 © COPYRIGHT 20 BY TYCO ELECTRONICS CORPORATION. ALL RIGHTS RESERVED.
 LIBRE A LA DIFFUSION
 20
 TOUS DROITS RESERVES

LOC	DIST	REVISIONS					
F	00	P	LTR	DESCRIPTION MODIFICATIONS	DATE	DWN DESS.	APVD APP.
		A		RELEASE	20SEP2005	AB	XR



NUMERO D'EMPREINTE
 CAVITY MOLD NUMBER
 INDICE DE REVISION PIECE
 REVISION NUMBER PART
 MARQUAGES ALVEOLES
 WAY NUMBER



REFERENCE PN	1379914-1
MATIERE MATERIAL	PBT 20% FV
COULEUR COLOUR	NOIR

NOTES:

- 1 - PIECES A UTILISER AVEC/PART TO USE WITH:
 - PORTE MODULE/SHIELD HOUSING 20 VOIES HYBRIDES MQS MPQ + SHUNT 5 VOIES X-1379917-X
 - CLIPS/SOCKET MQS 144969-X ET CLIPS/SOCKET MPQ 968075-X
- 2 - CAHIER DE PRECONISATIONS/REQUIREMENT SHEET 411-15698

THIS DRAWING IS A CONTROLLED DOCUMENT FOR TYCO ELECTRONICS CORPORATION IT IS SUBJECT TO CHANGE AND THE CONTROLLING ENGINEERING ORGANIZATION SHOULD BE CONTACTED FOR THE LATEST REVISION. CE PLAN EST UN DOCUMENT CONTROLÉ PAR TYCO ELECTRONICS. IL EST SUSCEPTIBLE D'ÊTRE REVISÉ. CONTACTER LE SERVICE TECHNIQUE DE TYCO ELECTRONICS POUR OBTENIR LA DERNIÈRE RÉVISION.		DWN /DESSINE 27FEB2004 A BARLEMONT CHK /VERIFIE 27FEB2004 M. POLIFONTE APVD /APROUVE 27FEB2004 X ROLLIARD	tyco Electronics TYCO ELECTRONICS France SAS BP 30039, 95301 CERGY-PONTOISE Cedex
DIMENSIONS: mm 	TOLERANCES UNLESS OTHERWISE SPECIFIED: TOLERANCES NON SPECIFIEES (SUIV. NB. DE DECIMALES) ±0.2 ANGLES ±5° FINISH/FINITION	PRODUCT SPEC 108-15343 SPEC. APPLICATION 411-15698 WEIGHT 5 g MASSE APPROX.	NAME TITRE MODULE 20 VOIES CC HYBRIDE SIZE FORMAT A2 CAGE CODE 00779 DRAWING NO No PLAN C-1379914 RESTRICTED TO RESERVE A
MATERIAL/MATIERE VOIR TABLEAU		CUSTOMER DRAWING /PLAN CLIENT	UNIFORMENT POUR REFERENCE SCALE ECHELLE 3:1 SHEET FEUILLE OF DE REV A