

4

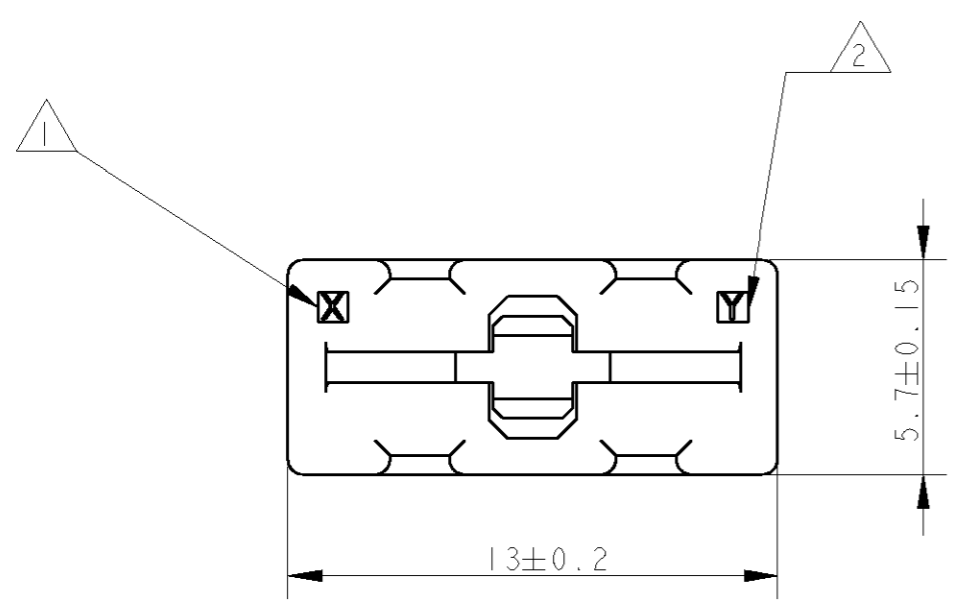
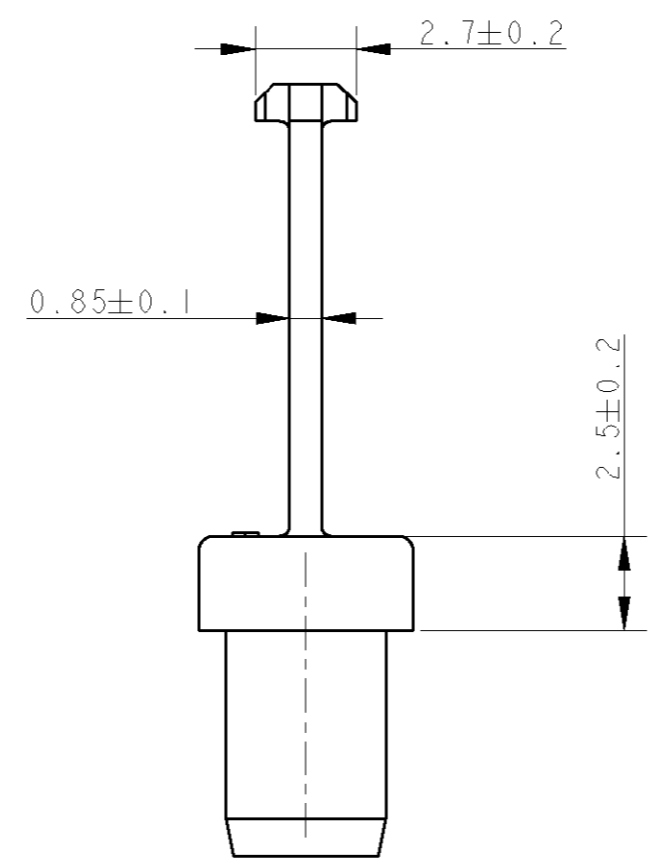
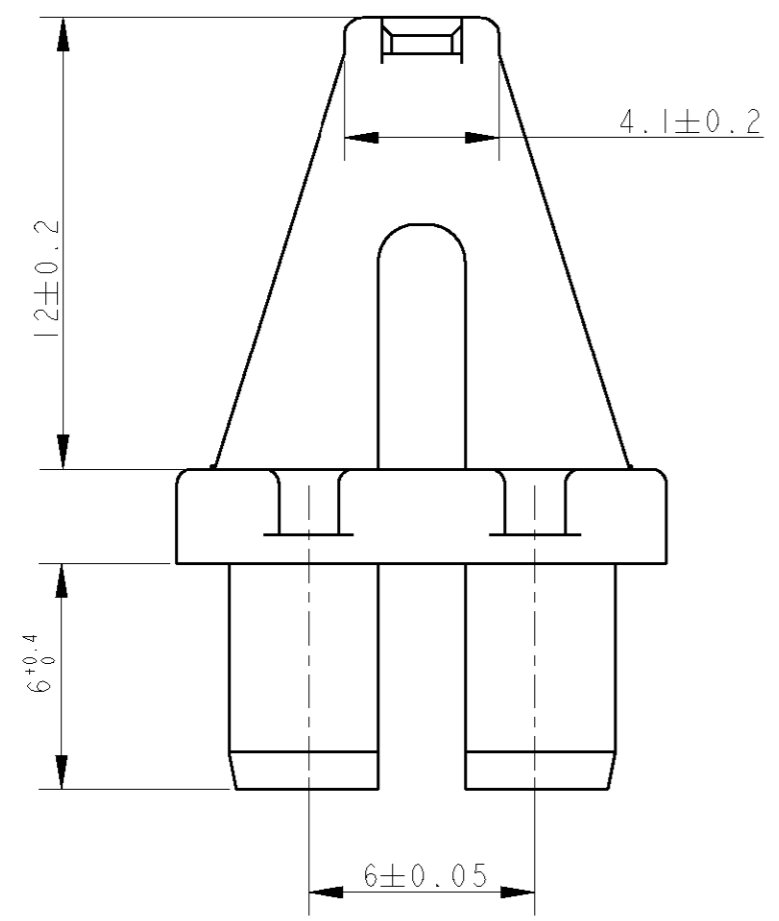
3

2

1

THIS DRAWING IS UNPUBLISHED. RELEASED FOR PUBLICATION 20  
 © COPYRIGHT 20 BY TYCO ELECTRONICS CORPORATION. ALL RIGHTS RESERVED.

| LOC | DIST | REVISIONS   |      |     |      |
|-----|------|-------------|------|-----|------|
| P   | LTR  | DESCRIPTION | DATE | DWN | APVD |
| F   | -    |             |      |     |      |



- 1 NUMERO D' EMPREINTE
- 2 INDEX REVISIONS
- 3 CONDITIONNEMENT: EN VRAC
- 4 REPRESENTE PN 1379524-1
- 5 FORCE DE RETENTION 10N < F < 30N
- 6 5 CYCLE D'INSERTION MAX
- 6 MATIERE: EVATANE 1040 VN 10

|   |  |   |  |  |  |
|---|--|---|--|--|--|
| <small>THIS DRAWING IS A CONTROLLED DOCUMENT FOR TYCO ELECTRONICS CORPORATION<br/>         IT IS SUBJECT TO CHANGE AND THE CONTROLLING ENGINEERING ORGANIZATION<br/>         SHOULD BE CONTACTED FOR THE LATEST REVISION.</small> |  | DWN 06DEC2001<br>D. REIFEL<br>CHK 06DEC2001<br>J. LALANGE<br>APVD 06DEC2001<br>J. J. REVII                                    |  | TYCO ELECTRONICS France SAS<br>BP 39, 95301 CERGY-PONTOISE Cedex |  |
| DIMENSIONS:<br>mm   |  | TOLERANCES UNLESS OTHERWISE SPECIFIED:<br>0 PLC ±-<br>1 PLC ±0.5<br>2 PLC ±0.13<br>3 PLC ±0.013<br>4 PLC ±0.0001<br>ANGLES ±- |  | NAME<br>MOST DUSTCOVER   |  |
|   |  | MATERIAL - FINISH -   |  | PRODUCT SPEC -<br>APPLICATION SPEC -<br>WEIGHT -                 |  |
| CUSTOMER DRAWING  |  | SIZE A3 CAGE CODE 00779 DRAWING NO C-1379524  |  | RESTRICTED TO -  |  |
|   |  | SCALE 5:1   |  | SHEET 1 OF 1 REV 0   |  |