

THIS DRAWING IS UNPUBLISHED. RELEASED FOR PUBLICATION
 © COPYRIGHT - Tyco Electronics AMP GmbH ALL RIGHTS RESERVED.

LOC	DIST	REVISIONS					
H	-	P	LTR	DESCRIPTION	DATE	DWN	APVD
		G1		PN 2--5, 6--2, 8--3 OBSOLETE	22DEC2017	TJ	NG
		G2		REVISED PER ECR-23-167774	07MAR2023	LP	DSC
		G3		REVISED PER ECR-23-172250	26APR2023	LP	DSC

SMALL PACK PART NUMBER	UNIT PACKAGE QTY (QTY/PLASTIC BOX)	BULK PACKAGING	
		QTY	PART NUMBER
1377173	1	100	0-0034151-0
1377173	3	100	0-0034158-0
1377173	4	100	0-0034160-0
1377173	5	100	0-0130102-0
1377173	6	100	0-0034162-0
1377173	7	100	0-0130126-0
1377173	8	100	0-0034163-0
1377173	9	50	0-0034853-0
1 1377173	0	50	0-0160292-0
1 1377173	1	50	0-0160294-0
1 1377173	2	50	0-0160296-0
1 1377173	3	50	0-0160124-0
1 1377173	4	100	0-0165004-0
1 1377173	5	100	0-0327043-0
1 1377173	7	100	0-0034154-0
1 1377173	8	100	0-0034155-0
1 1377173	9	100	0-0165008-0
2 1377173	0	100	0-0034156-0
2 1377173	1	100	0-0322249-0
2 1377173	2	100	0-0324169-0
2 1377173	3	100	0-0328516-0
2 1377173	4	100	0-0165010-0
2 1377173	6	100	0-0322994-0
2 1377173	7	100	0-0034165-0
2 1377173	8	100	0-0165012-0
2 1377173	9	100	0-0326741-0
3 1377173	0	100	0-0034166-0
3 1377173	1	100	0-0160171-0
3 1377173	2	100	0-0130568-0
3 1377173	4	100	0-0160212-0
3 1377173	5	100	0-0160213-0
3 1377173	6	50	0-0165015-0
3 1377173	7	50	0-0165017-0
3 1377173	8	50	0-0165019-0
3 1377173	9	50	0-0324172-0
4 1377173	0	50	0-0052856-0
4 1377173	1	100	0-0165143-0
4 1377173	2	100	0-0165167-0
4 1377173	3	100	0-0131443-0
4 1377173	5	100	0-0165075-0
4 1377173	7	100	0-0165171-0
4 1377173	8	100	0-0131444-0
4 1377173	9	100	0-0165085-0
5 1377173	0	50	0-0131445-0
5 1377173	1	100	0-0321026-0
5 1377173	2	100	0-0034070-0
5 1377173	3	100	0-0034071-0
5 1377173	4	50	0-0034072-0
5 1377173	5	100	0-0034132-0
5 1377173	6	50	0-0034134-0
5 1377173	7	50	0-0034136-0
5 1377173	8	100	0-0035115-0
5 1377173	9	50	0-0328730-0
6 1377173	1	25	0-055808-1
6 1377173	4	100	0-0323915-0
6 1377173	5	100	0-0323916-0
6 1377173	6	100	0-0031880-0
6 1377173	8	100	0-0031890-0
6 1377173	9	100	0-0130008-0

SMALL PACK PART NUMBER	UNIT PACKAGE QTY (QTY/PLASTIC BOX)	BULK PACKAGING	
		QTY	PART NUMBER
7 1377173	0	100	0-0031894-0
7 1377173	2	100	0-0320619-0
7 1377173	3	100	0-0320565-0
7 1377173	4	100	0-0130094-0
7 1377173	5	100	0-0321045-0
7 1377173	6	100	0-0328998-0
7 1377173	7	50	0-0035108-0
7 1377173	8	50	0-0130171-0
7 1377173	9	50	0-0165034-0
8 1377173	0	50	0-0160298-0
8 1377173	1	50	0-0130207-0
8 1377173	4	100	0-0130522-0
8 1377173	5	100	0-0034541-0
8 1377173	6	100	0-0130517-0
8 1377173	7	100	0-0032053-0
8 1377173	9	100	0-0032054-0
9 1377173	0	100	0-0032562-0
9 1377173	1	100	0-0326861-0
9 1377173	2	100	0-0130527-0
9 1377173	4	100	0-0035559-0
9 1377173	5	100	0-0130532-0
9 1377173	6	100	0-0321233-0
9 1377173	7	100	0-0032059-0
9 1377173	8	100	0-0160170-0
9 1377173	9	100	0-0130537-0


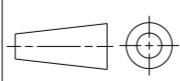
1. NOTE DELETED

2. REFERENCE:

PN 1377172
 1377173
 1377174
 1377175

3. SHIPPER QTY = 20 X QTY/PLASTIC BOX

4. FOR PN 4-1377173-9 SHIPPER QTY IS 1400 PCS

THIS DRAWING IS A CONTROLLED DOCUMENT.		DWN RyHEUVEN 30JUNE06	 TE Connectivity	
DIMENSIONS: mm		CHK MyDRIEL 30JUNE06		
TOLERANCES UNLESS OTHERWISE SPECIFIED:		APVD MyDRIEL 30JUNE06	NAME SMALL PACK	
		PRODUCT SPEC	SIZE	
0 PLC ± 1 PLC ± 2 PLC ± 3 PLC ± 4 PLC ± ANGLES ± FINISH		APPLICATION SPEC	CAGE CODE	DRAWING NO
MATERIAL		WEIGHT	RESTRICTED TO	
-		-	A200779 C-1377173	
CUSTOMER DRAWING		SCALE	SHEET	REV G3