

REVISONS					
P	LTR	DESCRIPTION	ECN	DATE	APVD
0		RELEASED	FJ00-1949-02	24SEP02	AY KB
01		REVISED	ECR-08-005651	05FEB08	TS KB
02		REVISED	ECR-08-011026	08MAY08	TS KB
A		REVISED	ECR-09-008889	21APR09	TS KB

1. 図中指示なき公差は、±0.3

2. 材質 キャップハウジング: 熱可塑性ポリエステル樹脂  
 黒: 2-1447232-3  
 ライトグレー: 2-1447232-4  
 ピンコンタクト: 黄銅 / ニッケル下地 金めっき (接点部)  
 はんだめっき (基板側)

3. 当箇所製造日管理番号 (ロット番号) を印字する。

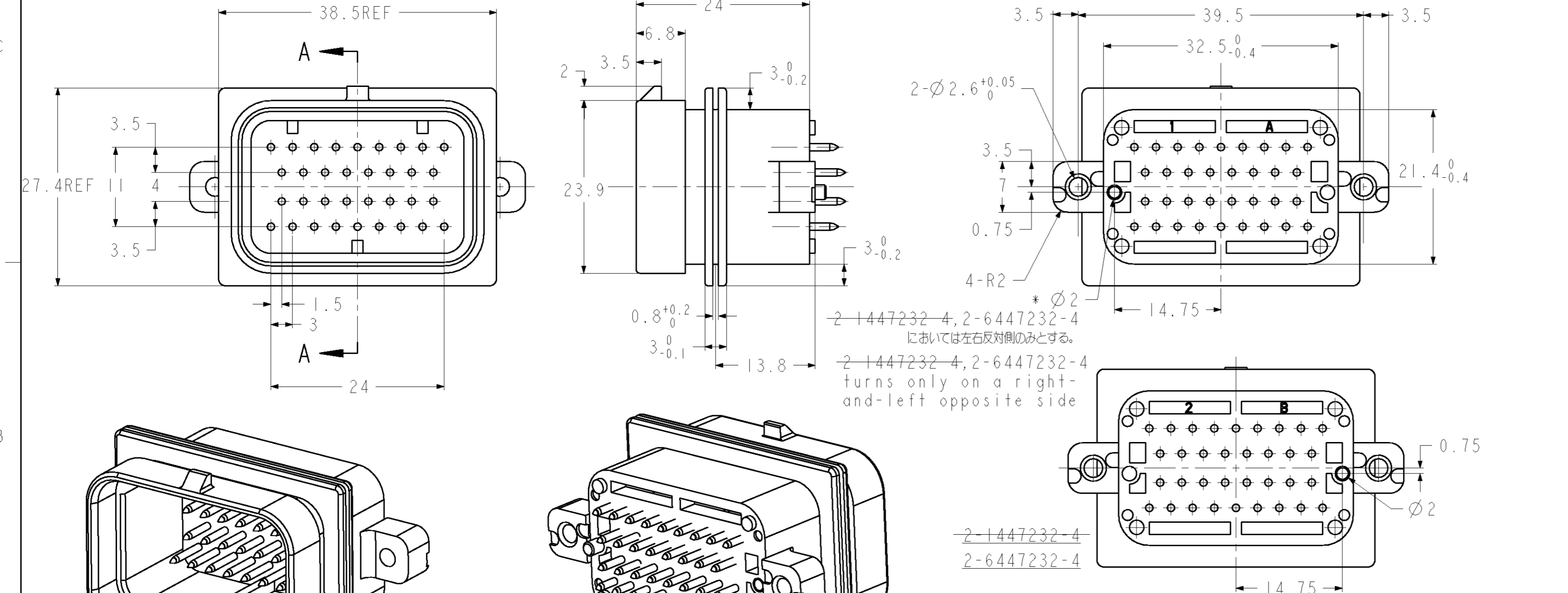
4. 基板取り付けねじ  
 JIS B 1122 十字穴付きタッピンねじ  
 なべ2種 3×L (L=6.5+基板厚)  
 先端溝付き及び溝無し (亜鉛めっき)  
 推奨基板厚: t=1.6mm

5. 推奨基板厚: t=1.6mm

6. 下記に極性種類を示す。

7. 材質 キャップハウジング: 熱可塑性ポリエステル樹脂  
 黒: 2-6447232-3  
 ライトグレー: 2-6447232-4  
 ピンコンタクト: 黄銅 / ニッケル下地 金めっき (接点部)  
 すずめっき (基板側)

8. 嵌合相手型番: TABLE-1参照



1. GENERAL TOLERANCE: ±0.3

2. MATERIAL CAP HOUSING: POLYESTER  
 BLACK: 2-1447232-3  
 LIGHT GRAY: 2-1447232-4  
 PIN CONTACT: BRASS GOLD PLATING  
 OVER Ni PLATING (CONTACT PART)  
 BRASS TIN-LEAD PLATING  
 OVER Ni PLATING (SOLDERING PART)

3. MANUFACTURED DATE CONTROL NO. (LOT NO.)  
 AS FOLLOWING IS INDICATED

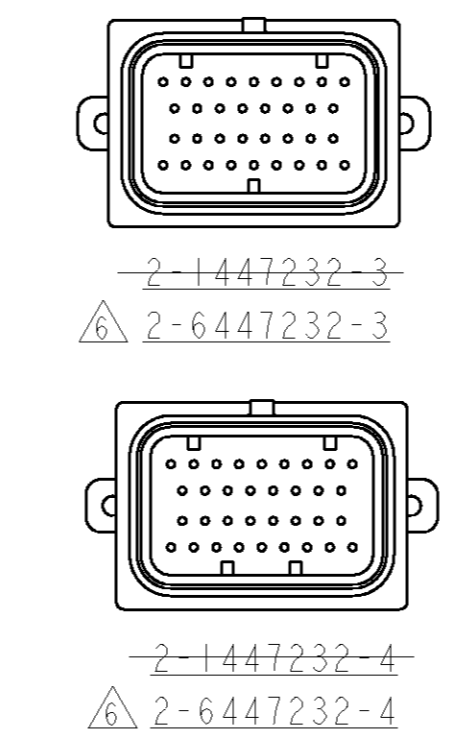
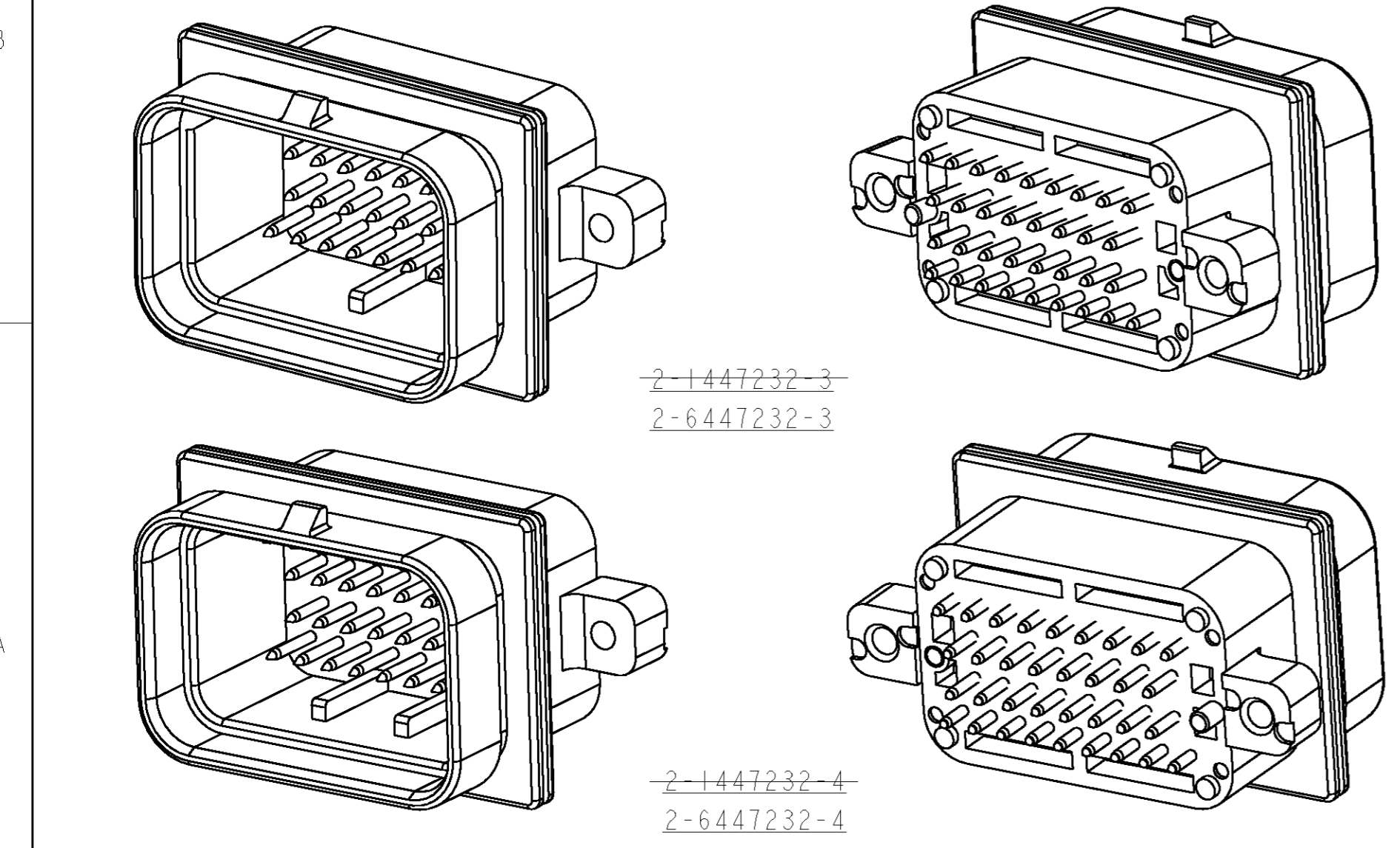
4. MOUNTING SCREW  
 JIS B 1122 CROSS RECESSED  
 PAN HEAD TAPPING SCREW (ZINC PLATING)  
 TYPE 2 3XL (L=6.5 X BOARD THICKNESS)

5. RECOMMENDABLE PCB THICKNESS: t=1.6mm

6. THE TYPE OF CORDING INDICATED  
 AS FOLLOWING

7. MATERIAL CAP HOUSING: POLYESTER  
 BLACK: 2-6447232-3  
 LIGHT GRAY: 2-6447232-4  
 PIN CONTACT: BRASS GOLD PLATING  
 OVER Ni PLATING (CONTACT PART)  
 BRASS PLATING  
 OVER Ni PLATING (SOLDERING PART)

8. PART NUMBER OF PLUG ASSEMBLY TO BE MATED:  
 SEE TABLE-1



PART NUMBER	MATING PLUG ASSEMBLY
2-6447232-4	4-1437290-1
2-1447232-4	4-1437290-0
2-6447232-3	4-1437290-0
2-1447232-3	4-1437290-0

型番 / PART NO.	備考 / REMARK
2-6447232-4	△
2-6447232-3	△
OBSELETE 2-1447232-4	△
OBSELETE 2-1447232-3	△

THIS DRAWING IS A CONTROLLED DOCUMENT FOR TYCO ELECTRONICS CORPORATION  
 IT IS SUBJECT TO CHANGE AND THE CONTROLLING ENGINEERING ORGANIZATION  
 SHOULD BE CONTACTED FOR THE LATEST REVISION.

AMP 1471-9 REV 31MAR2000

PRO/ENGINEER DRAWING

WIRE RANGE  
 総合電線番種

INSULATION DIA  
 絶縁外径

TYCO ELECTRONICS  
 Kawasaki, Japan

NAME  
 氏名

PRODUCT SPEC  
 製品規格

APPLICATION SPEC  
 取付適用規格

WEIGHT

CUSTOMER DRAWING

SCALE 2:1

SHEET 1 OF 1

REV A