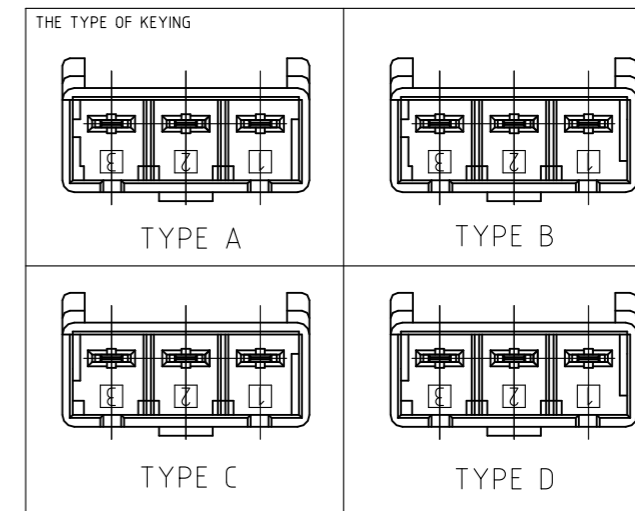
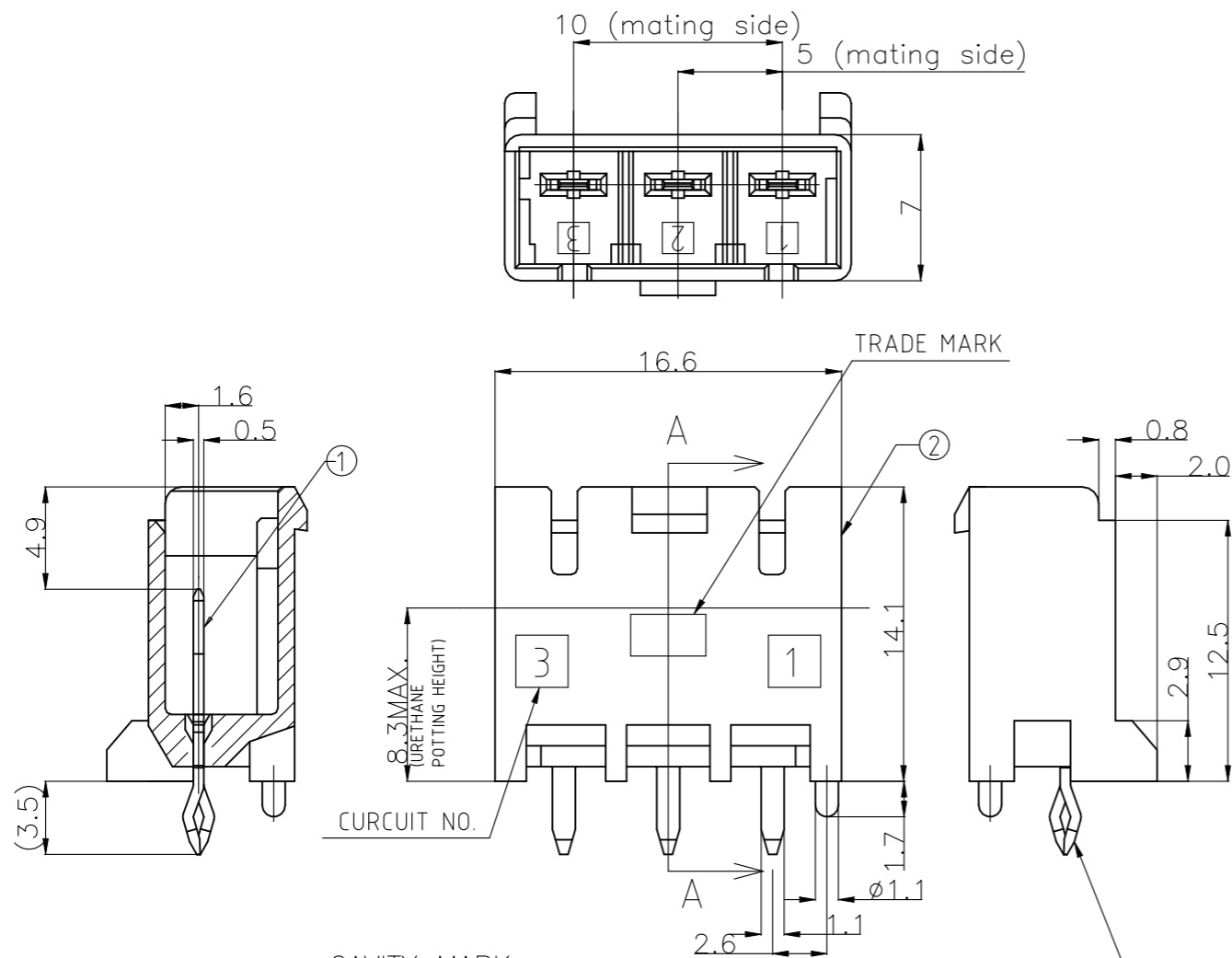
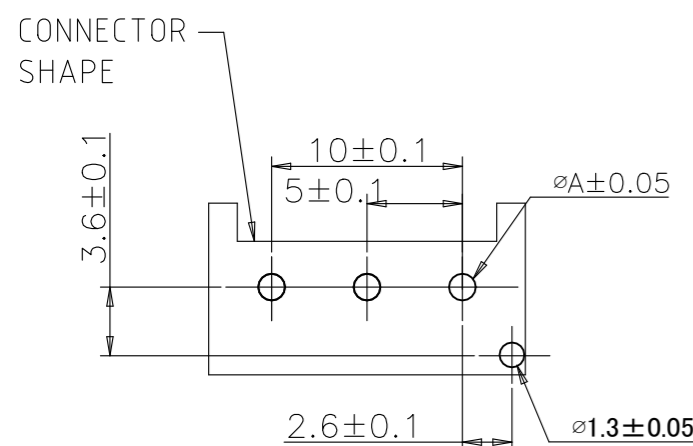


P	LTR	DESCRIPTION	DATE	DWN	APVD
	H3	REVISED PER ECR-22-126744	20JAN2022	KS	DZ



NO.	NAME	MATERIAL
②	HEADER HOUSING	6/6 NYLON GRASS FILLED/ NYLON 6
①	TAB	COPPER ALLOY TIN PLATED



- ① RECOMMENDED P.C.B LAY OUT
- 2 APPLICABLE P.C.B. THICKNESS:1.6
- ③ MATING CONN. P/N PLUG HOUSING :SEE TABLE
- 4 PARTS COMPLY WITH GLOW WIRE REQUIREMENT FOR PARTS OF NON-METALLIC MATERIAL SUPPORTING A CURRENT-CARRYING CONNECTION DETAILED IN IEC 60335-1, SECTION 30 (GWT).
- ⑤ NYLON 6, GWT, V-2.
- ⑥ NYLON 66, GWT, V-0.
- ⑦ HIGH CURRENT RATING VERSION.

⑦/⑥	P/N	WITH/WITHOUT KINK	TYPE OF KEYING	Color	Pos	PART NO.
⑦/⑥	1-1376389-2	WITH KINK	TYPE B	RED	3Pos	1-1376383-6
⑦/⑥	1376389-1	WITH KINK	TYPE A	NATURAL	3Pos	1376383-6
⑤	1376389-5	WITH KINK	TYPE A	NATURAL	3Pos	1376383-5
⑥	3-1376389-4	WITHOUT KINK	TYPE D	YELLOW	3Pos	8-1376383-4
⑥	2-1376389-3	WITHOUT KINK	TYPE C	BLUE	3Pos	7-1376383-3
⑥	1-1376389-2	WITHOUT KINK	TYPE B	RED	3Pos	6-1376383-2
⑥	1376389-1	WITHOUT KINK	TYPE A	NATURAL	3Pos	5-1376383-1
⑥	3-1376389-4	WITH KINK	TYPE D	YELLOW	3Pos	3-1376383-4
⑥	2-1376389-3	WITH KINK	TYPE C	BLUE	3Pos	2-1376383-3
⑥	1-1376389-2	WITH KINK	TYPE B	RED	3Pos	1-1376383-2
⑥	1376389-1	WITH KINK	TYPE A	NATURAL	3Pos	1376383-1

PUNCHING	1.25
DRILLING	1.4
DIM A	

① RECOMMENDED PCB HOLES

THIS DRAWING IS A CONTROLLED DOCUMENT.

DWN	A.OISHI	28AUG'00
CHK	Y.KASHIWA	28AUG'00
APVD	Y.KASHIWA	28AUG'00

PRODUCT SPEC: 108-5699

APPLICATION SPEC: 114-5292

WEIGHT: -

CUSTOMER DRAWING

SCALE: 3:1

SHEET: 1 OF 1

REV: H3

DWG NO: C-1376383

CAGE CODE: A300779

RESTRICTED TO: -

TE Connectivity

5.0 POWER KEY CONNECTOR  
3P HEADER ASSEMBLY