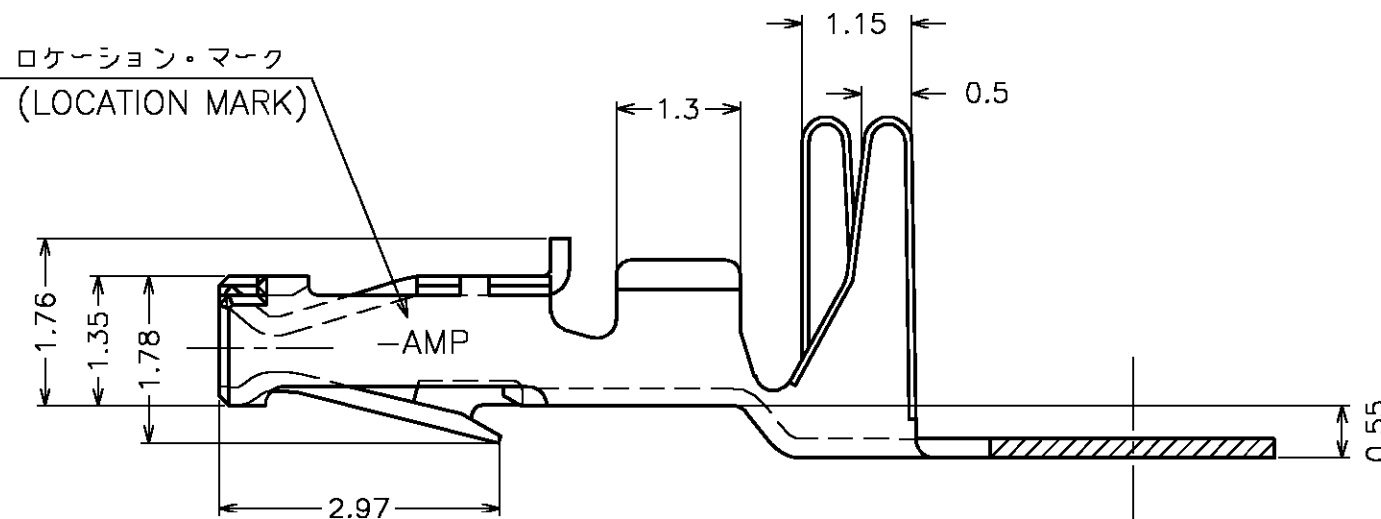
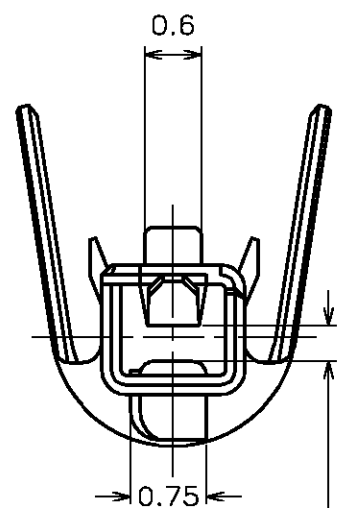
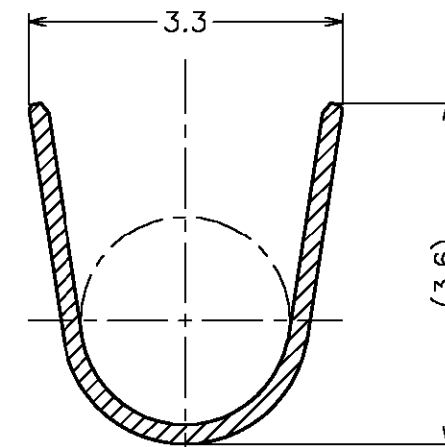
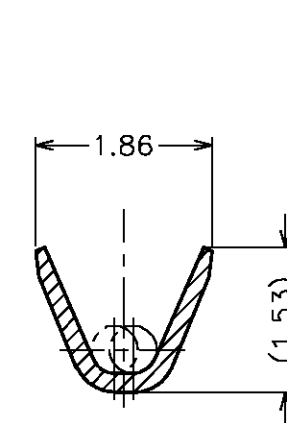
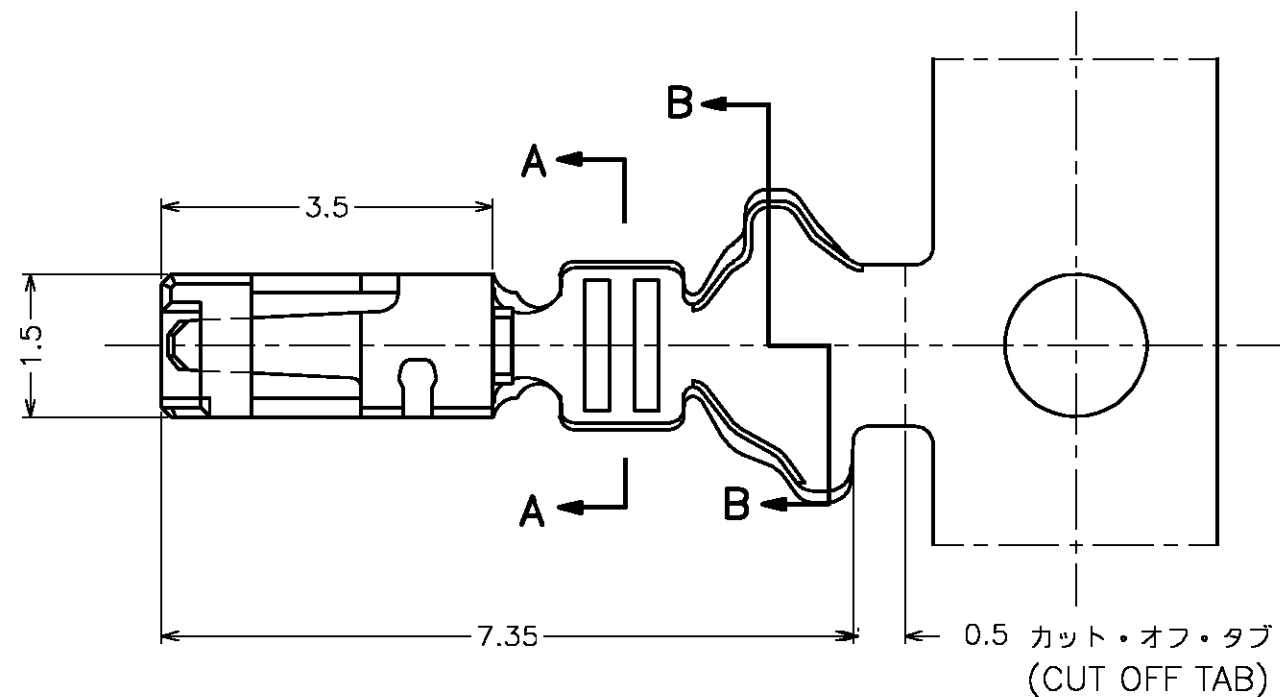


THIS DRAWING IS UNPUBLISHED. RELEASED FOR PUBLICATION AUG 29 .
 © COPYRIGHT 2000 BY TYCO ELECTRONICS CORPORATION. ALL RIGHTS RESERVED.

LOC	DIST	REVISIONS						
		P	LTR	DESCRIPTION	DATE	DWN	APVD	
J		O		作成 (RELEASED)	FJ00-0200-01	29.AUG.'00	M.S	Y.K



0.5t ポストに嵌合
(MATING FOR 0.5t POST)

1376175-1			
型番 (P/N)			
WIRE RANGE 包含電線断面積	AWG#26~#22 0.14~0.38 SQmm	INSULATION DIA 被覆外径	1.5~2.3 mm

THIS DRAWING IS A CONTROLLED DOCUMENT.		DWN	M.SUZUKI	29.AUG.'00	Tyco Electronics AMP K.K. Kawasaki, Japan			
DIMENSIONS: 単位: 耗 MM		CHK	Y.KASHIWA	29.AUG.'00				
TOLERANCES UNLESS OTHERWISE SPECIFIED: 一般公差		APVD	Y.KASHIWA	29.AUG.'00				
0 PLQ ± 0.2 1 PLC ± 2 PLC ± 3 PLC ± 4 PLG ± ANGLES ± 3°		PRODUCT SPEC	製品規格	108-5706				
MATERIAL 材料 鍍めつき済み燐青銅 (PRE-TIN PHOS BRO)		FINISH 仕上	APPLICATION SPEC	取付適用規格	114-5294			
		WEIGHT	A3 00779		DRAWING NO 番号	C-1376175	RESTRICTED TO	
CUSTOMER DRAWING		SCALE		12:1	SHEET	1 OF 1	REV	0