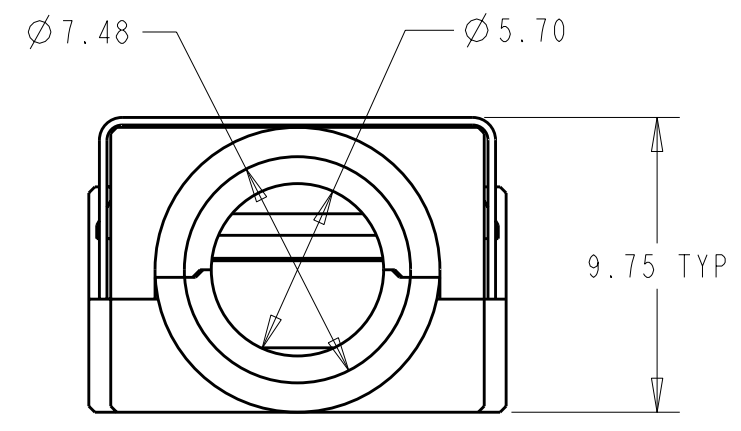
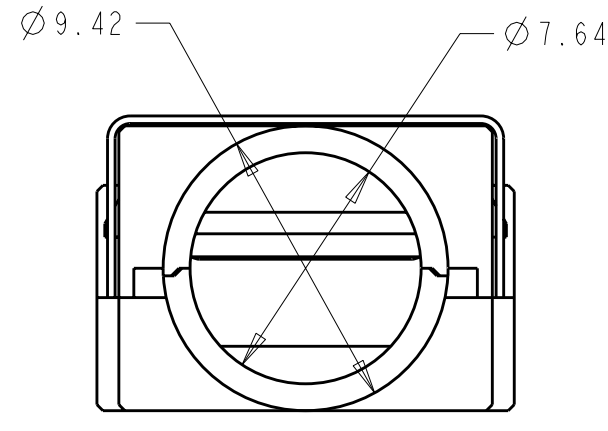
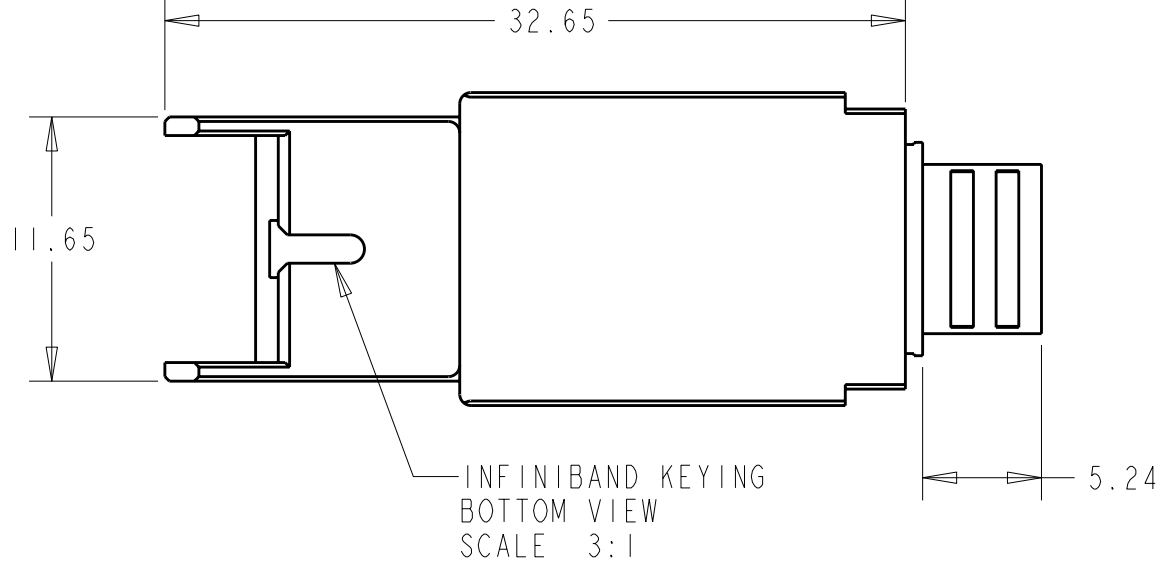


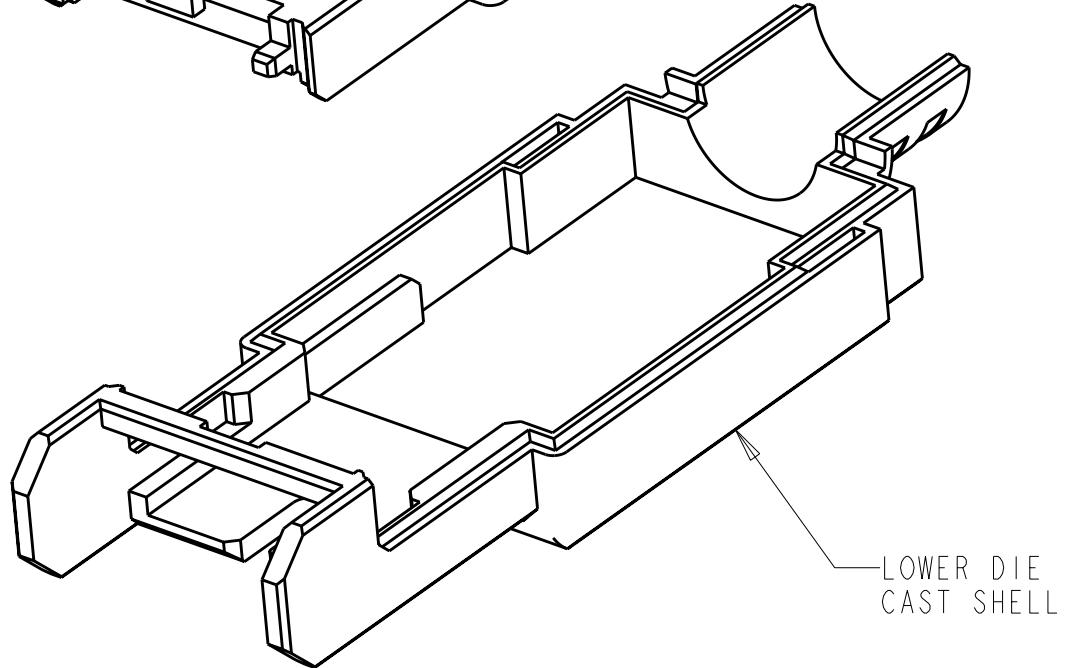
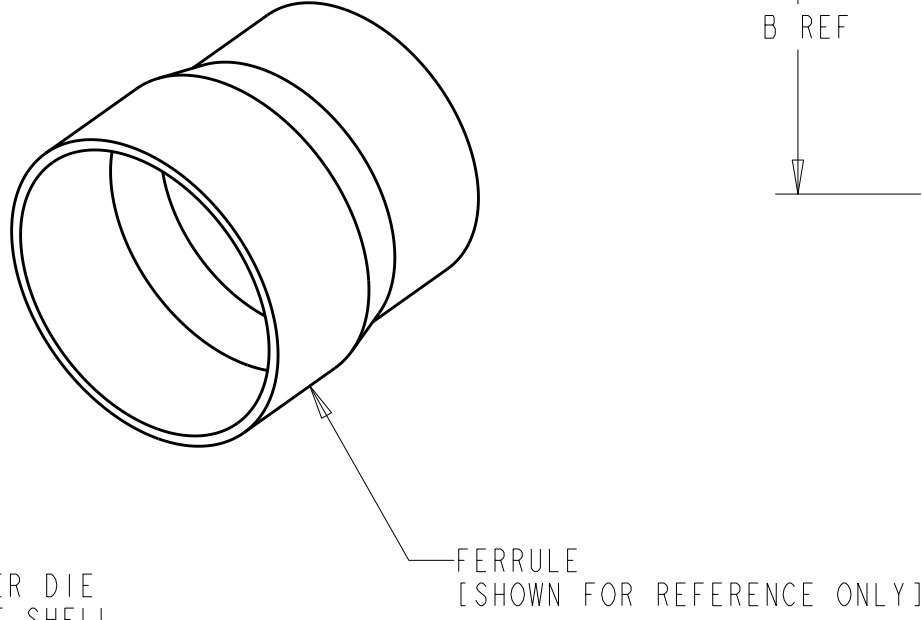
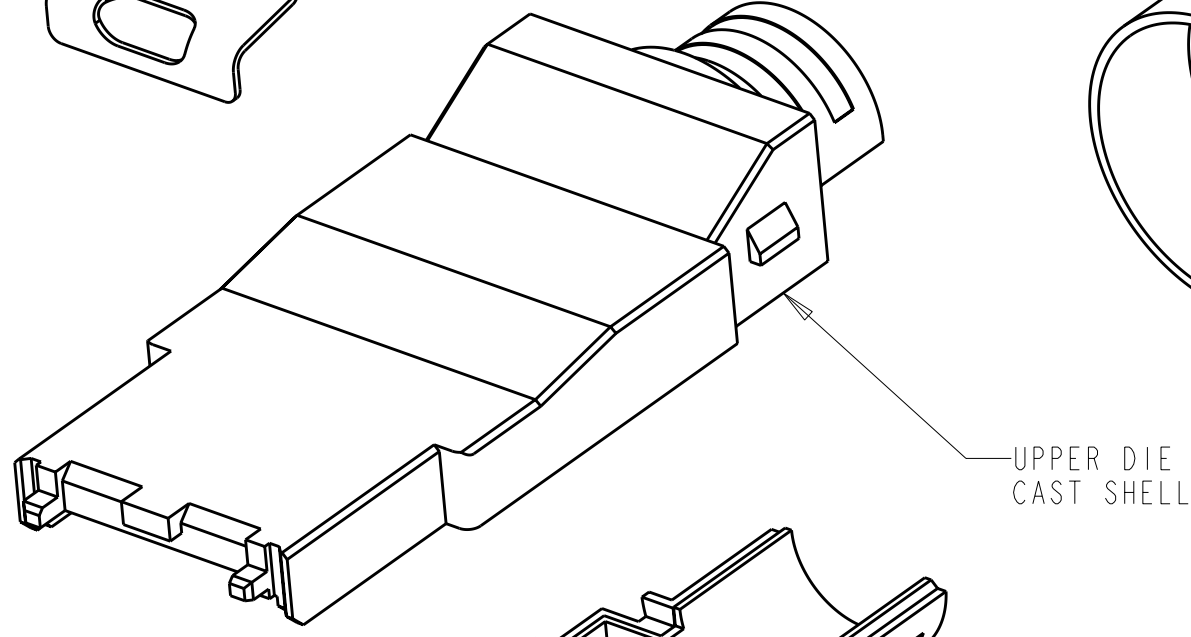
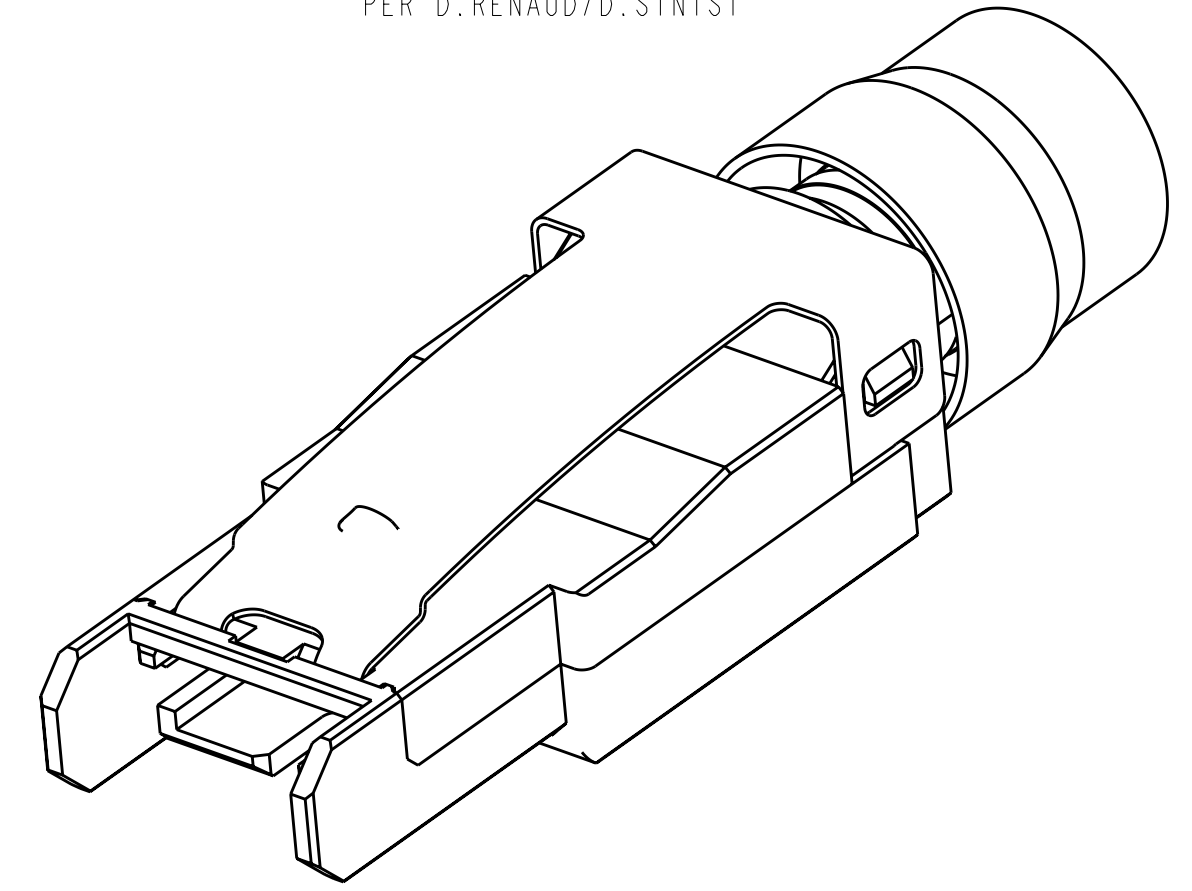
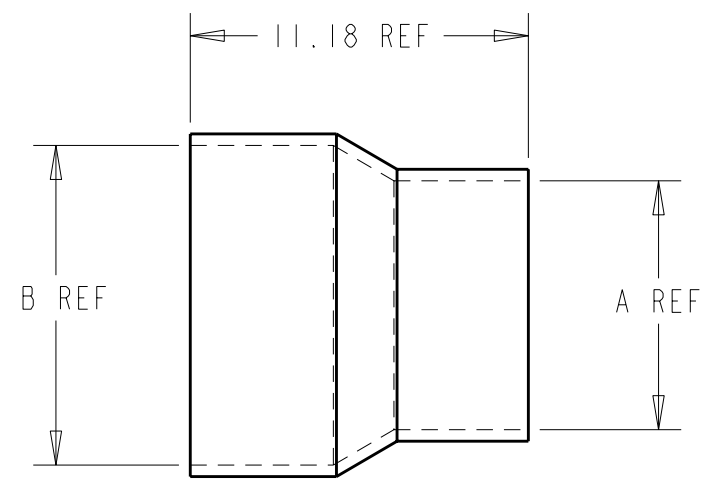
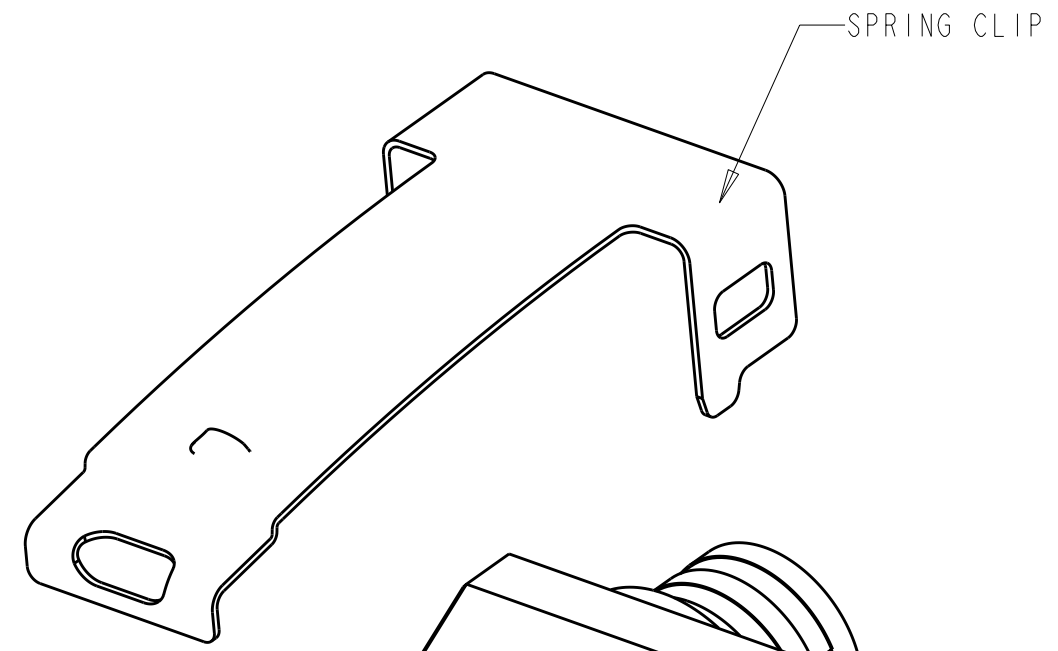
THIS DRAWING IS UNPUBLISHED. RELEASED FOR PUBLICATION 20  
 © COPYRIGHT 20 BY TYCO ELECTRONICS CORPORATION. ALL RIGHTS RESERVED.

LOC	DIST	REVISIONS					
GP	00	P	LTR	DESCRIPTION	DATE	DWN	APVD
		L2		REVISED PER ECO-06-024596	30NOV06	JDP	SAS
		L3		REVISED PER ECO-09-025699	11DEC09	KK	AEG



- CABLE PLUG KIT DOES NOT INCLUDE CABLE, OVERMOLD, WIRE ORGANIZER OR PLUG PCB.
- UPPER AND LOWER DIE CAST FINISH: 3-6 MICROMETERS MIN BRIGHT TIN-LEAD OVER 1.27 MICROMETERS MIN NICKEL OVER 5.08 MICROMETERS MIN COPPER.
- SPRING CLIP MATERIAL: PhBr. FINISH: 0.4 MICROMETERS MIN TIN.
- BULK KIT PACKAGED, 1 PURCHASED PART NUMBER YIELDS 200 PLUG ASSEMBLIES.

- 5 BOTTOM VIEW OF PCB APPLIES ONLY TO 14 POSITION APPLICATIONS. PAD SIZE AND LOCATION SAME AS SHOWN ON TOP VIEW.
- 6 OBSOLETE PARTS: OBSOLETE CIS STREAMLINING PER D.RENAUD/D.SINISI



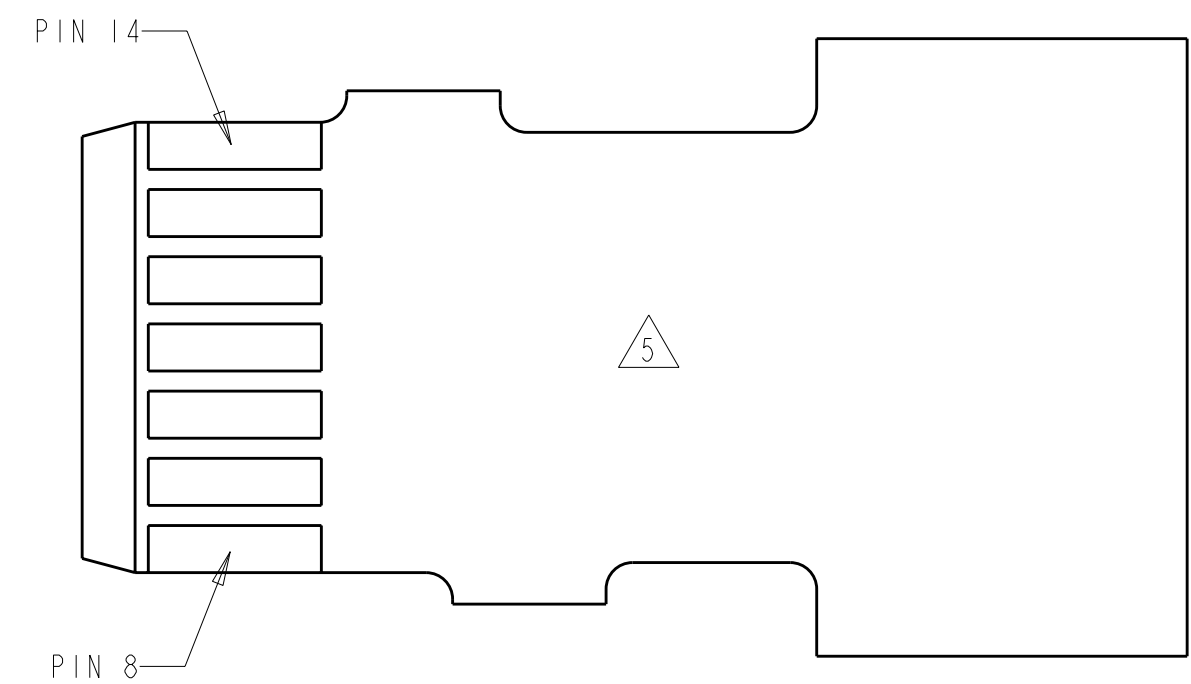
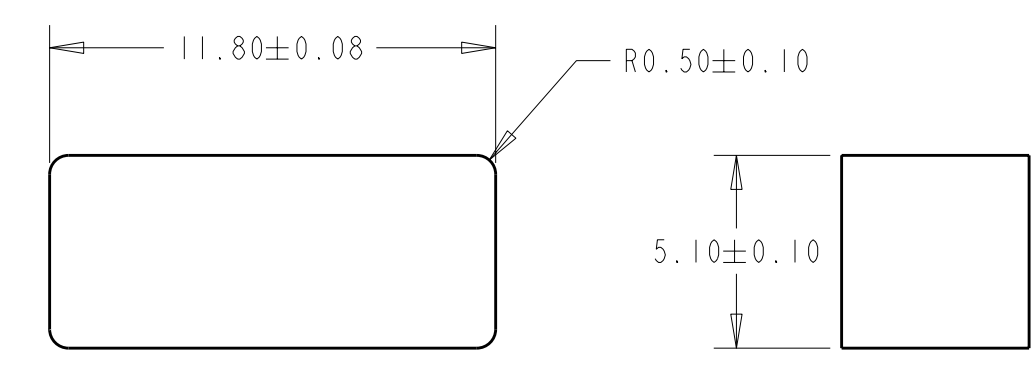
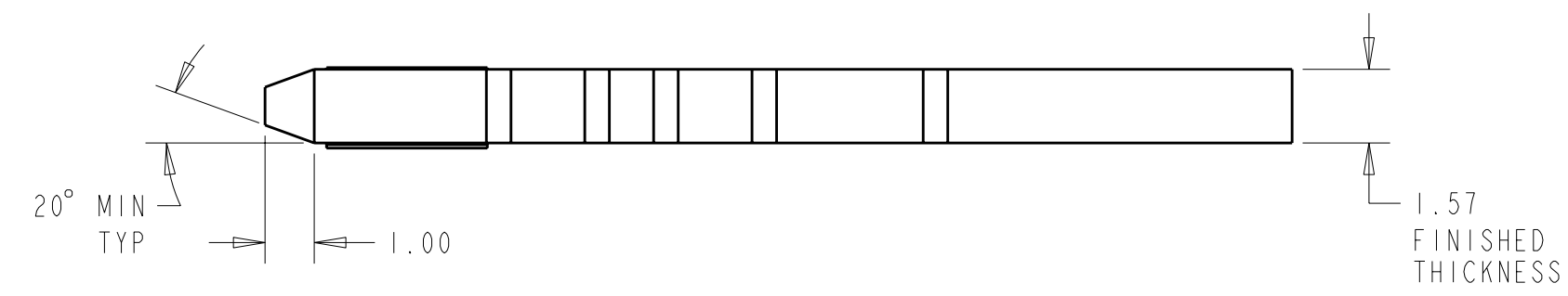
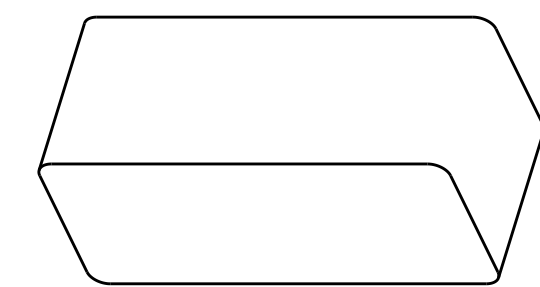
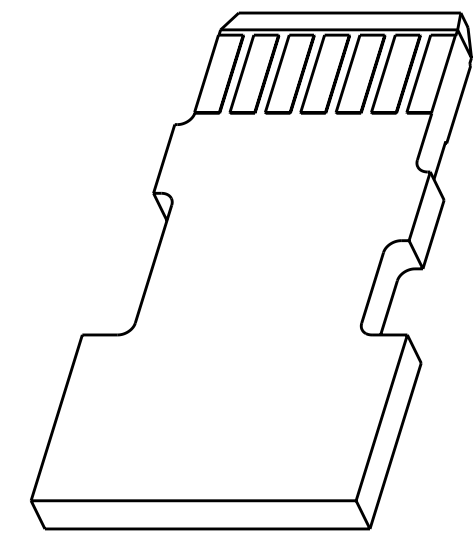
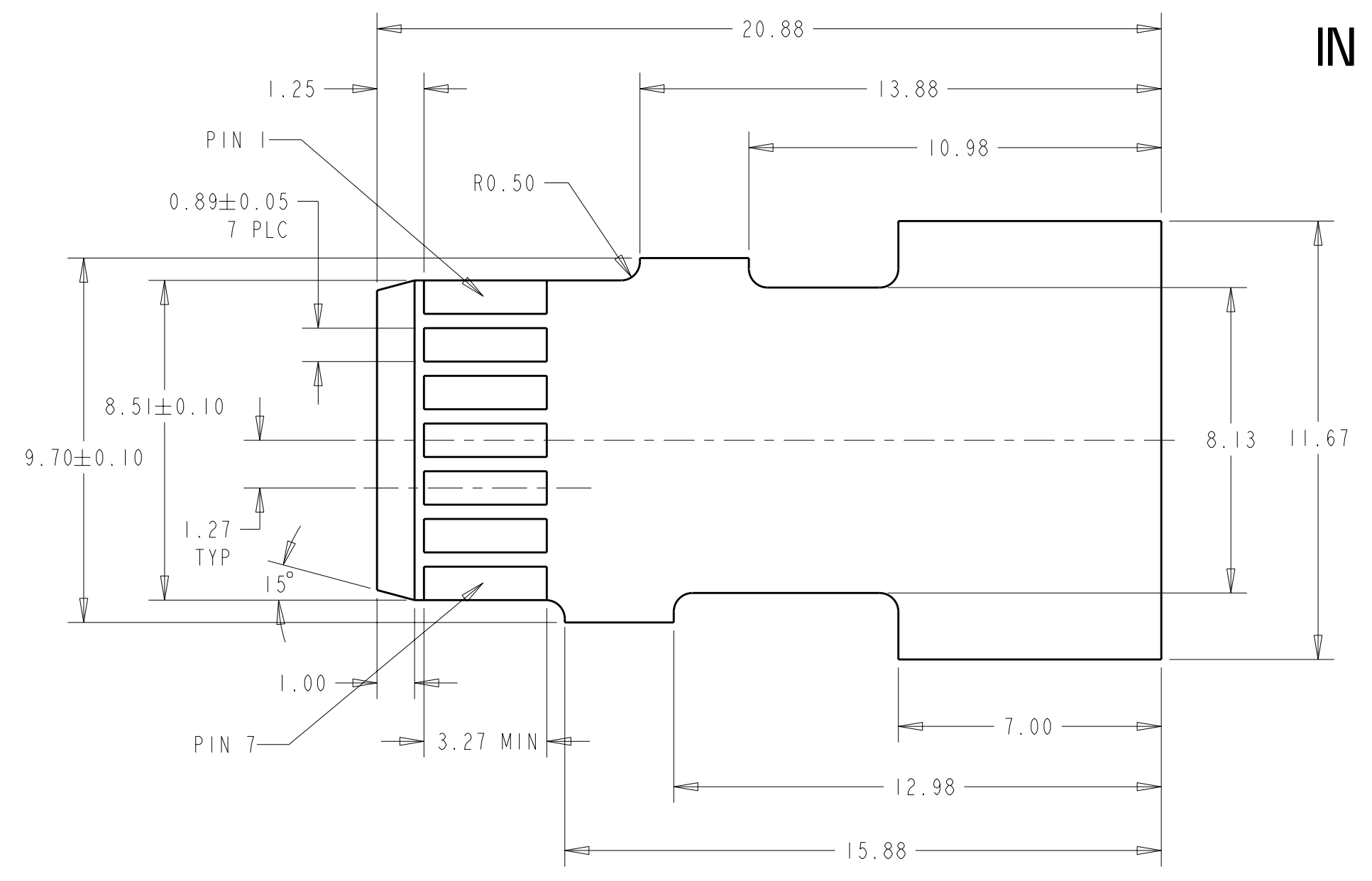
6	<b>OBSOLETE</b>	-	-	NO FERRULE LARGE CABLE EXIT	-5
	<b>OBSOLETE</b>	9.53	11.10	Ø8.26-9.02	-4
6	<b>OBSOLETE</b>	-	-	NO FERRULE SMALL CABLE EXIT	-3
	SUPERCEDED BY 1761070-2	6.25	9.07	Ø4.06-4.83	-2
		7.62	9.07	Ø5.46-6.22	-1
		A	B	RECOMMENDED CABLE Ø	P/N

THIS DRAWING IS A CONTROLLED DOCUMENT FOR TYCO ELECTRONICS CORPORATION. IT IS SUBJECT TO CHANGE AND THE CONTROLLING ENGINEERING ORGANIZATION SHOULD BE CONTACTED FOR THE LATEST REVISION.		DWN K. MURR 06DEC00	Tyco Electronics Corporation Harrisburg, PA 17105-3608	
DIMENSIONS: mm		CHK C. ROHDE 03AUG01	NAME KIT, HSSDC2 PLUG INFINIBAND	
TOLERANCES UNLESS OTHERWISE SPECIFIED: 0 PLC ± 1 PLC ± 2 PLC ±0.13 3 PLC ± 4 PLC ± ANGLES ±2° FINISH		APVD S. GOOD 03AUG01	RESTRICTED TO	
MATERIAL		PRODUCT SPEC 108-1965	SIZE A2	CAGE CODE 00779
		APPLICATION SPEC 114-13097	DRAWING NO 1364629	REV. L3
		WEIGHT	SCALE 5:1 SHEET 1 OF 2	
CUSTOMER DRAWING				

THIS DRAWING IS UNPUBLISHED. RELEASED FOR PUBLICATION 20  
 © COPYRIGHT 20 BY TYCO ELECTRONICS CORPORATION. ALL RIGHTS RESERVED.

**PCB AND WIRE ORGANIZER  
 ARE NOT INCLUDED  
 IN THE CABLE PLUG KITS**

LOC	DIST	REVISIONS					
GP	00	P	LTR	DESCRIPTION	DATE	DWN	APVD
		-		SEE SHEET 1			



PCB PAD PLATING: 1.27 μM MIN Au  
 OVER 2.54 μM MIN Ni

**PCB REFERENCE  
 DIMENSIONS**

**WIRE ORGANIZER  
 REFERENCE DIMENSIONS**

THIS DRAWING IS A CONTROLLED DOCUMENT FOR TYCO ELECTRONICS CORPORATION IT IS SUBJECT TO CHANGE AND THE CONTROLLING ENGINEERING ORGANIZATION SHOULD BE CONTACTED FOR THE LATEST REVISION.		DWN K_MURR 06DEC00	Tyco Electronics Corporation Harrisburg, PA 17105-3608	
DIMENSIONS: mm		CHK C_ROHDE 03AUG01	NAME KIT, HSSDC2 PLUG INFINIBAND	
TOLERANCES UNLESS OTHERWISE SPECIFIED:		APVD S_GOOD 03AUG01	SIZE A2	
0 PLC ±-		PRODUCT SPEC 108-1965	CAGE CODE 00779	
1 PLC ±-		APPLICATION SPEC 114-13097	DRAWING NO 1364629	
2 PLC ±0.13		WEIGHT -	RESTRICTED TO -	
3 PLC ±-		CUSTOMER DRAWING		
4 PLC ±-		SCALE 5:1 SHEET 2 OF 2 REV. L3		
ANGLES ±2°				
FINISH				