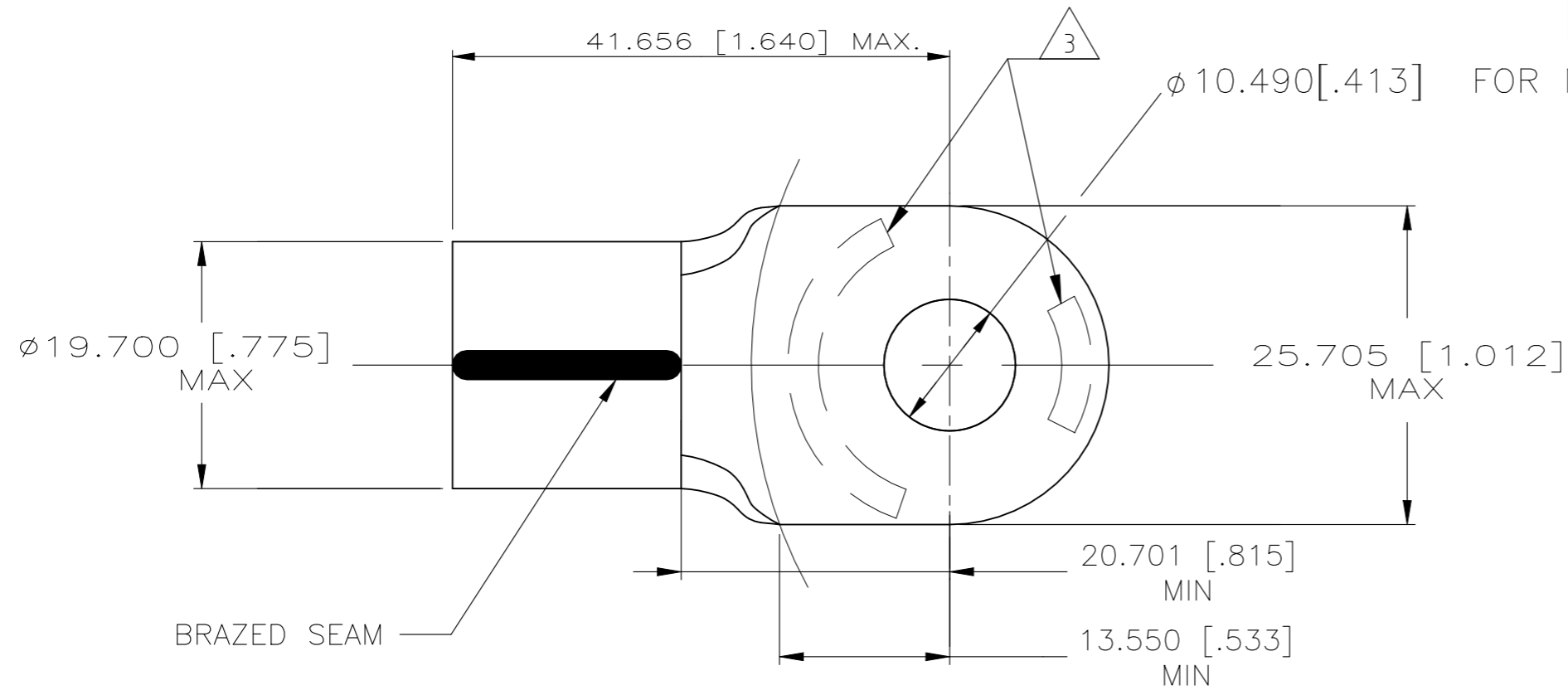
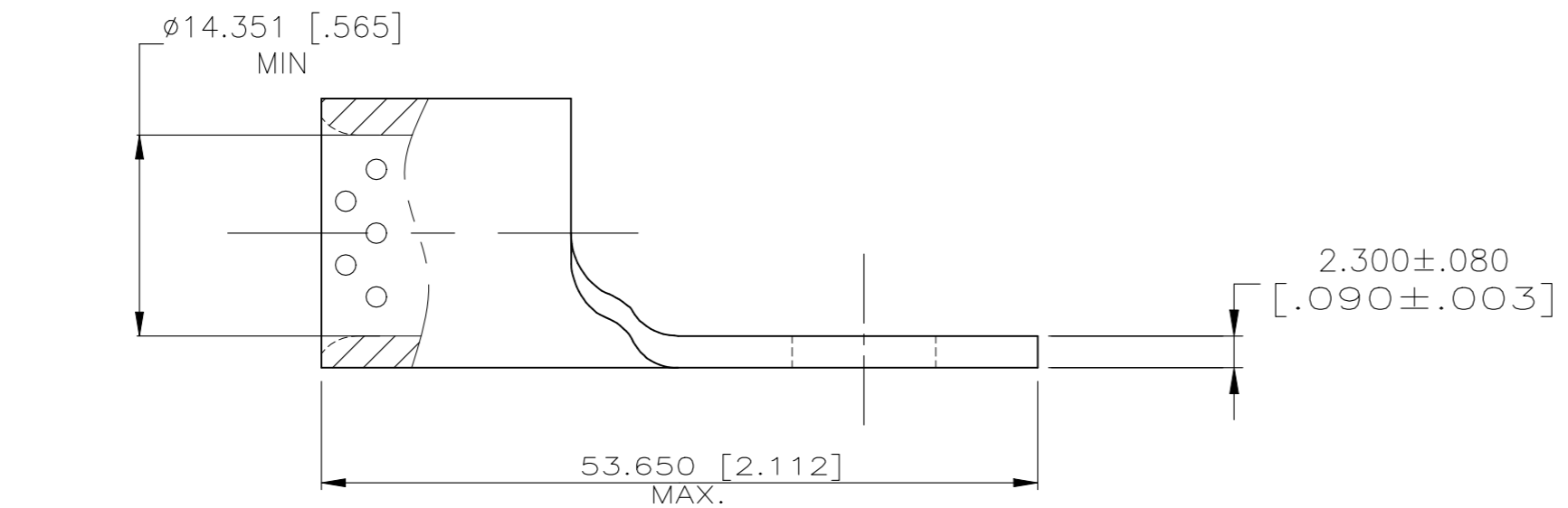


© - TE Connectivity. All Rights Reserved.

REVISIONS				
P	LTR	DESCRIPTION	DATE	APVD
A1		REVISED PER ECO-20-004274	07APR2020	SM DR



- 1 MATERIAL: COPPER PER ASTM B152
- 2 FINISH: NICKEL PLATE 0.00762[.000300] MIN EXT THK. PER SAE AMS QQ-N-290
- 3 STAMP: AMP 3/0*150 APPROX AS SHOWN



50	LOOSE PIECE	135536-1
QTY	PACKAGE TYPE	PART NUMBER

MAX. TEMP: 343°C [649°F]	THIS DRAWING IS A CONTROLLED DOCUMENT.		DWN J.DESPRETZ 08/04/91	TE Connectivity TERMINAL RING TONGUE STRATO-THERM, HEAT RESISTANT WIRE SIZE : 3/0 AWG.		
	VOLTAGE RATING: N/A	DIMENSIONS: mm [INCHES]	TOLERANCES UNLESS OTHERWISE SPECIFIED:			
CIRCULAR MIL AREA: 76.3-96.3 MM ² [150,500-190,000] SOLID OR STRAANDED		0 PLC ± -	1 PLC ± -	APVD -	NAME	
		2 PLC ± -	3 PLC ± 0.127 [.005]	PRODUCT SPEC -	APPLICATION SPEC	
MATERIAL	FINISH	4 PLC ± -	ANGLES ± -	114-2162	SIZE	
1	2			WEIGHT -	CAGE CODE	
				CUSTOMER DRAWING	A3 00779	
					DRAWING NO	
					G-135536	
					RESTRICTED TO	
					-	
					SCALE	
					2:1	
					SHEET	
					1 OF 1	
					REV	
					A1	