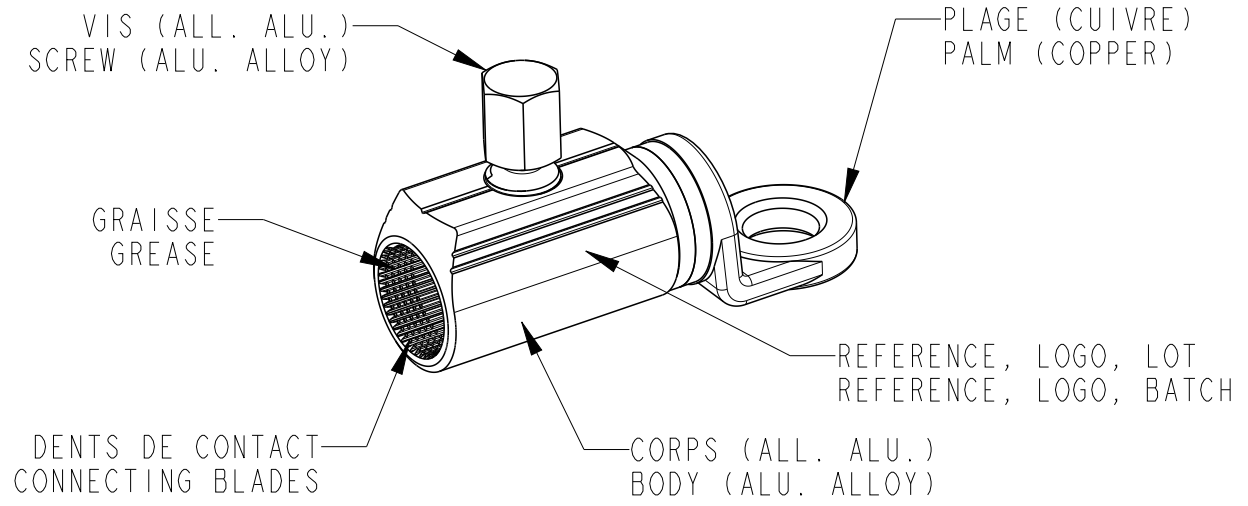
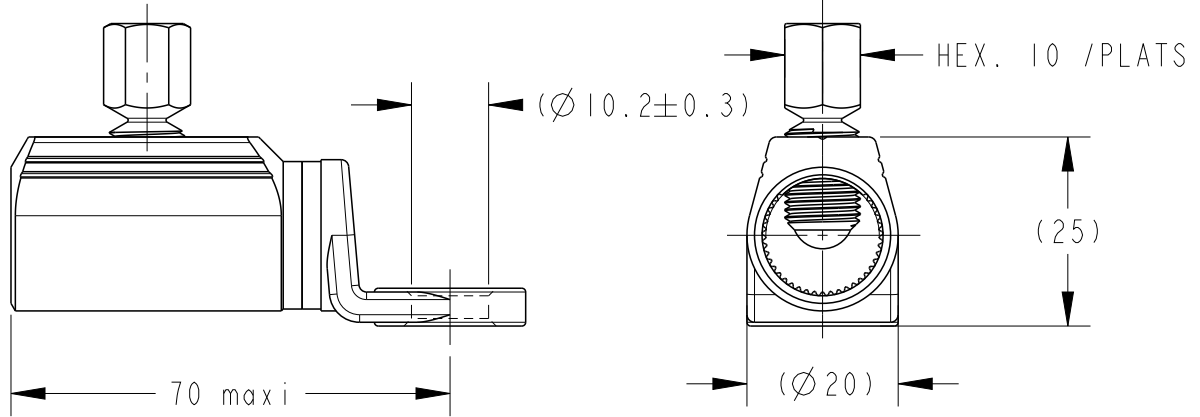


REVISIONS					
P	LTR REV	DESCRIPTION MODIFICATIONS	DATE	DWN DESS.	APVD APP.
	C	ECR-16-004850	04APR2016	JB	MM



1350531-1	EN SACHET PAR 4 4 IN PLASTIC BAG	VCXI 14	70 A 120mm2 70 TO 120mm2	36mm	10Nm ± 1
PN	CONDITIONNEMENT PACKAGING	REFERENCE	CAPACITES CAPACITIES	LONG. INTRODUCTION DU CABLE CABLE INTRODUCTION LENGTH	COUPLE RUPTURE NOMINAL TORQUE

PRODUCT CODE: 6811

RELEASED FOR PUBLICATION
 LIBRE A LA DIFFUSION
 ALL RIGHTS RESERVED.
 TOUS DROITS RESERVES.
 THIS DRAWING IS UNPUBLISHED.
 DIFFUSION RESTREINTE
 BY -
 COPYRIGHT 20

DIMENSIONS: mm TOLERANCES UNLESS OTHERWISE SPECIFIED: TOLERANCES NON SPECIFIEES (SUIV NB DE DECIMALES): 0 PLC/DEC: ±0 1 PLC/DEC: ±0.1 2 PLC/DEC: ±0.2 3 PLC/DEC: ±0.3 4 PLC/DEC: ±0.4 ANGLES ±	DWN/DESSINE T. ROUSSEAU 21 JUL 99	MATERIAL MATIERE -	FINISH FINITION -
	CHK/VERIFIE E. DEREY APVD/APPROUVE N. ALMEIDA PRODUCT SPEC SPEC. PRODUIT - APPLICATION SPEC SPEC. APPLICATION -	NAME TITRE VCXI 14	
WEIGHT MASSE APPROX. 60g	SIZE FORMAT A4	CAGE CODE 00779	DRAWING NO No PLAN C=1350531
CUSTOMER DRAWING /PLAN CLIENT		UNIQUEMENT POUR REFERENCE	SCALE ECHELLE 1:1
		SHEET FEUILLE	OF DE
		REV C	