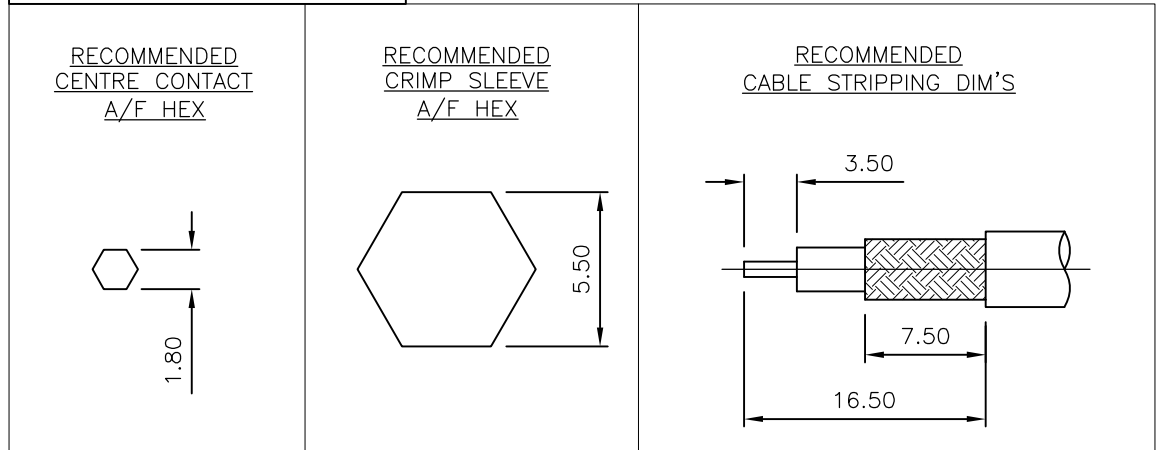
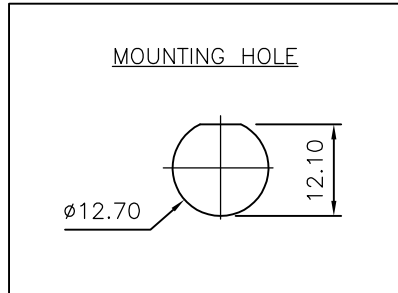
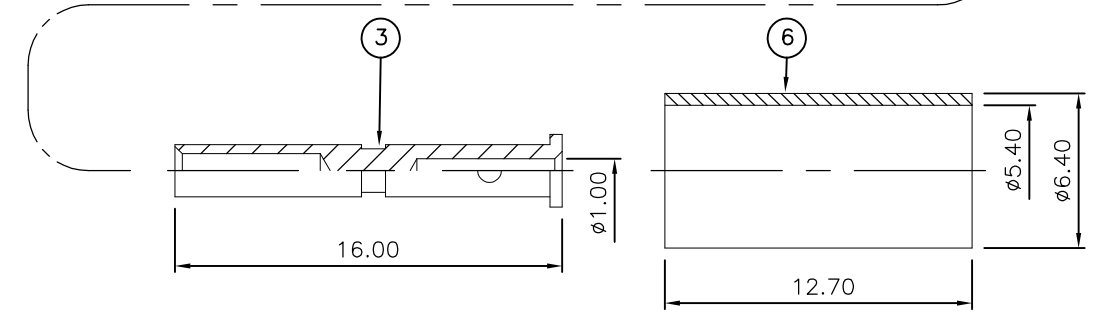
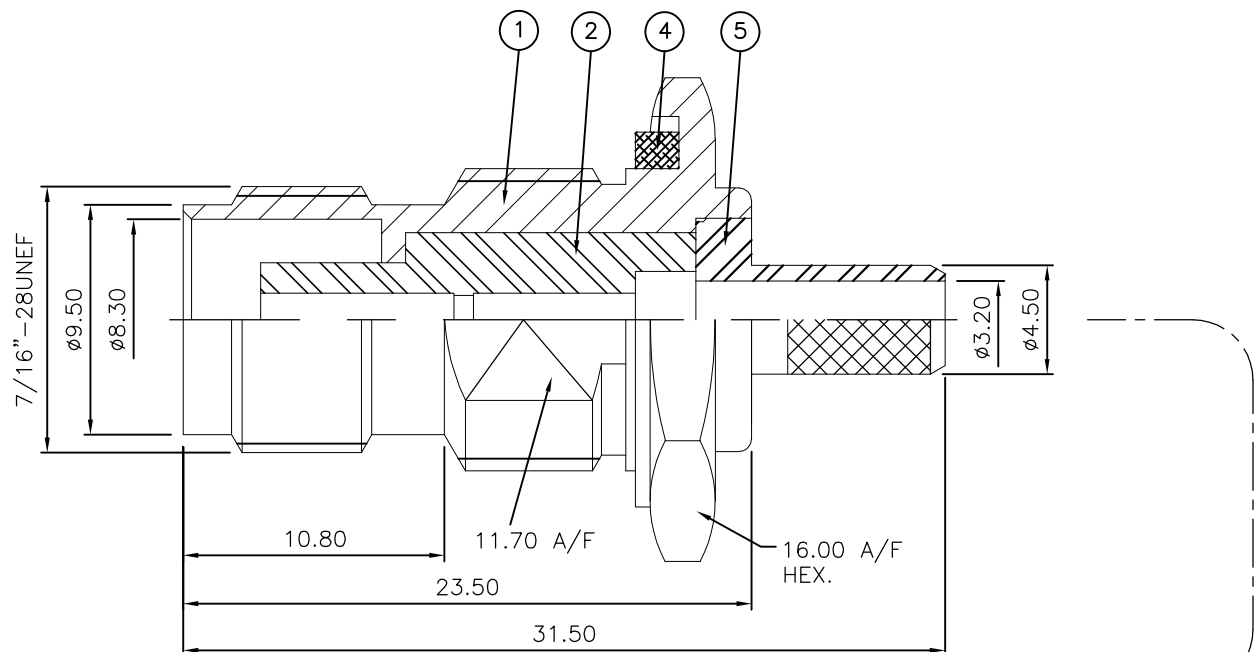
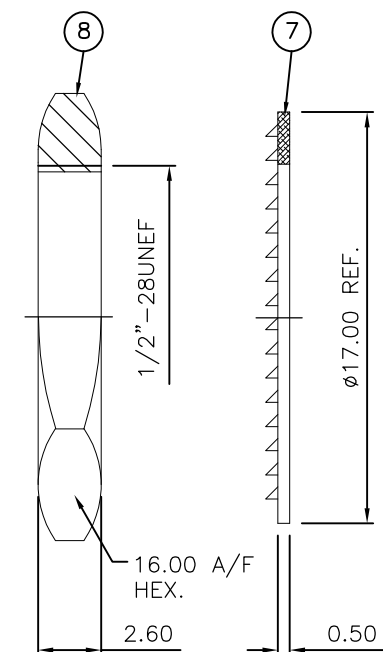


THIS DRAWING IS UNPUBLISHED. RELEASED FOR PUBLICATION MAY, 2006.
 © COPYRIGHT 2006 BY TYCO ELECTRONICS CORPORATION. ALL RIGHTS RESERVED.

LOC	DIST	REVISIONS					
E	B	P	LTR	DESCRIPTION	DATE	DWN	APVD
		D		ECO-09-016840	11AUG2009	AM	BOB

NOTES:

- 1 PACK IN ACCORDANCE WITH AMP SPEC 107-3275
- 2 100 TRAY PACK IN ACCORDANCE WITH AMP SPEC 107-3275
- 3 Au PLATING
- 4 Ni PLATING
- 5 THIS ITEM MUST BE WHITE
- 7 HAND TOOL : 9-1478240-0
- 8 DIE SET : 9-1478242-0
- 9 ELECTRICAL CHARACTERISTICS
 FREQUENCY RANGE: DC - 11 GHz
 NOMINAL IMPEDANCE: 50 Ohm
 INSULATION RESISTANCE: 5000 MOhm
 WORKING VOLTAGE: 500 Volts RMS at Sea Level
 DIELECTRIC WITHSTAND VOLTAGE: 1500 Volts RMS Max
 CONTACT RESISTANCE:
 CENTRE CONTACT: 1.50 mOhm Max
 OUTER CONTACT: 1.00 mOhm Max
 VSWR @ 4GHz: 1.30:1 Max
 INSERTION LOSS dB @ x 3 GHz: 0.20 Max
- 10 MECHANICAL CHARACTERISTICS
 COUPLING NUT RETENTION FORCE: N/A
 CABLE RETENTION FORCE: 170N Min
 MOUNT NUT RECOMMENDED TORQUE: 4N
 DURABILITY: 500 Cycles Min
- 11 ENVIRONMENTAL CHARACTERISTICS
 OPERATING TEMPERATURE: -65 to +165 DegC
- 12 FOR TECHNICAL DATA REFER TO YOUR LOCAL TYCO ELECTRONICS SALES OFFICE
- 13 ALL DIMENSIONS ARE NOMINAL FOR REFERENCE ONLY UNLESS OTHERWISE STATED



OBSOLETE

QTY	MATERIAL	DESCRIPTION	ITEM
1	BRASS	HEXAGONAL NUT	8
1	STEEL	LOCKWASHER	7
1	BRASS	FERRULE	6
1	BRASS	CHASSIS	5
1	SILICONE RUBBER	GASKET	4
1	BRASS	CONTACT	3
1	PTFE	INSULATION	2
1	BRASS	BODY	1
6--0	1--0	MATERIAL	DESCRIPTION
4	4		

QUANTITY PER ASSY PARTS LIST

THIS DRAWING IS A CONTROLLED DOCUMENT.

DWN	J.SANDWELL	16MAY06
CHK	S.PARLOW	16MAY06
APVD	F.WHEELER-KING	16MAY06
PRODUCT SPEC		
APPLICATION SPEC		
411-3247		
WEIGHT		
CUSTOMER DRAWING		

Tyco Electronics Corporation
Kunshan, Jiangsu, RPC 215321

TNC BULKHEAD JACK REAR MOUNT CRIMP 50 OHM
RG58C/U, 141A/U, URM43, 76, KX15

SIZE	CAGE CODE	DRAWING NO	RESTRICTED TO
A3	00779	C-1337615	

SCALE NTS SHEET 1 OF 1 REV D