

THIS DRAWING IS UNPUBLISHED.

RELEASED FOR PUBLICATION NOV , 2005.

REVISIONS

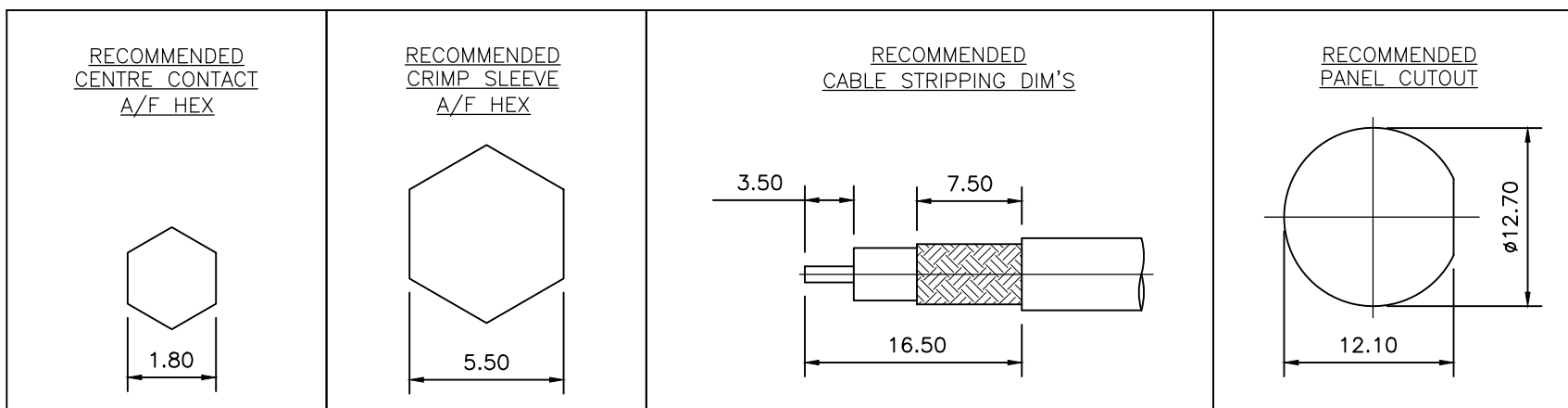
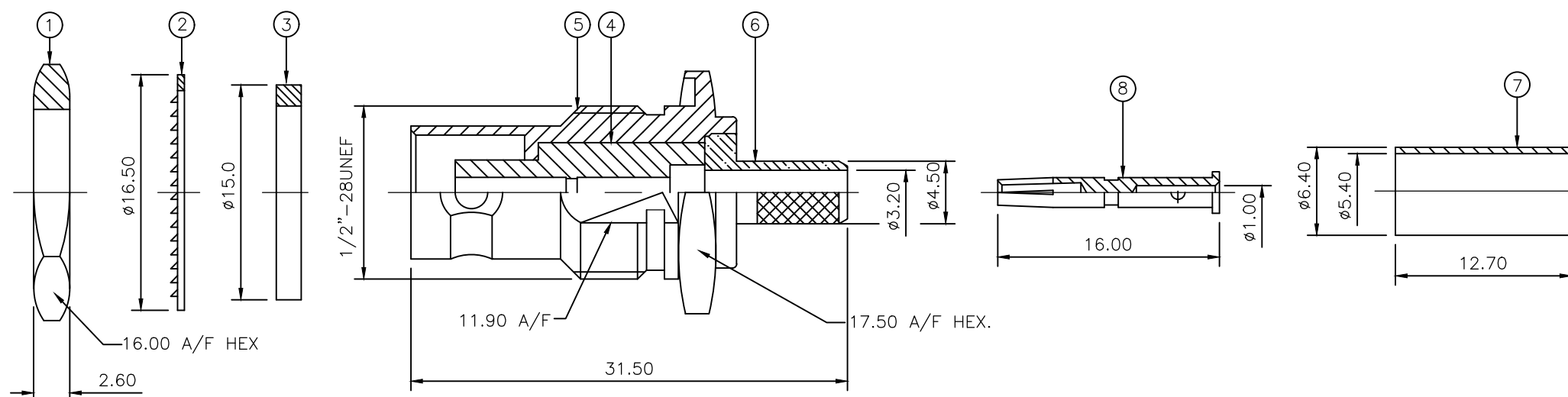
© COPYRIGHT 2005 TE Connectivity Ltd.

ALL RIGHTS RESERVED.

P	LTR	DESCRIPTION	DATE	DWN	APVD
D		ECR-19-006130	19APR2019	RZ	RS

NOTES:

- 1 PACK IN ACCORDANCE WITH AMP SPEC 107-3275
- 2 100 TRAY PACK IN ACCORDANCE WITH AMP SPEC 107-3275
- 3 Au PLATING
- 4 Ni PLATING
- 5 THIS ITEM MUST BE WHITE
- 6 HAND TOOL : 9-1478240-0
- 7 DIE SET : 9-1478242-0
- 8 ELECTRICAL CHARACTERISTICS
 FREQUENCY RANGE: DC - 4 GHz
 NOMINAL IMPEDANCE: 50 Ohm
 INSULATION RESISTANCE: 5000 MOhm
 WORKING VOLTAGE: 500 Volts RMS at Sea Level
 DIELECTRIC WITHSTAND VOLTAGE: 1500 Volts RMS Max
 CONTACT RESISTANCE:
 CENTRE CONTACT: 1.50 mOhm Max
 OUTER CONTACT: 0.20 mOhm Max
 VSWR @ 4GHz: 1.30:1 Max
 INSERTION LOSS dB @ x 3 GHz: 0.20 Max
- 9 MECHANICAL CHARACTERISTICS
 COUPLING NUT RETENTION FORCE: N/A
 CABLE RETENTION FORCE: 170N Min
 MOUNT NUT RECOMMENDED TORQUE: 4N
 DURABILITY: 500 Cycles Min
- 10 ENVIRONMENTAL CHARACTERISTICS
 OPERATING TEMPERATURE: -65 to +165 DegC



QTY	QTY PER ASSY	QTY PER ASSY	MATERIAL	DESCRIPTION	ITEM
1	1	1	BRASS	CONTACT	8
1	1	1	BRASS	FERRULE	7
1	1	1	BRASS	CHASSIS	6
1	1	1	BRASS	BODY	5
1	1	1	PTFE	INSULATION	4
1	1	1	SILICON RUBBER	GASKET	3
1	1	1	STEEL	LOCKWASHER	2
1	1	1	BRASS	HEX NUT	1
6--0	1--0				

THIS DRAWING IS A CONTROLLED DOCUMENT.

DWN J.SANDWELL 23NOV05
 CHK S.PARLOW 23NOV05
 APVD F.WHEELER-KING 23NOV05

PRODUCT SPEC 108-112000
 APPLICATION SPEC 411-3247
 WEIGHT 0.000000

STE TE Connectivity

NAME: BNC BULKHEAD JACK REAR MOUNT
 RG58C/U, 141A/U, URM43, 76, Belden 9907, KX15

SIZE A3 CAGE CODE 00779 DRAWING NO C-1337433 RESTRICTED TO -

CUSTOMER DRAWING SCALE NTS SHEET 1 OF 1 REV D