

THIS DRAWING IS UNPUBLISHED. RELEASED FOR PUBLICATION NOV ,2005.

© COPYRIGHT 2005 By - ALL RIGHTS RESERVED.

LOC	DIST	REVISIONS					
E	B	P	LTR	DESCRIPTION	DATE	DWN	APVD
		D		ECR-14-012651	04SEP2014	RZ	MY

NOTES:

1 SINGLE PACKING: ONE CONNECTOR PER LABELED BAG PACKAGED. LABELED PER TEC-107-115

2 TRAY PACKAGED

3 Ag PLATING

4 Zn PLATING

5 THIS ITEM MUST BE WHITE

6 HAND TOOL : 9-1478240-0

7 DIE SET : 9-1478242-0

8 ELECTRICAL CHARACTERISTICS

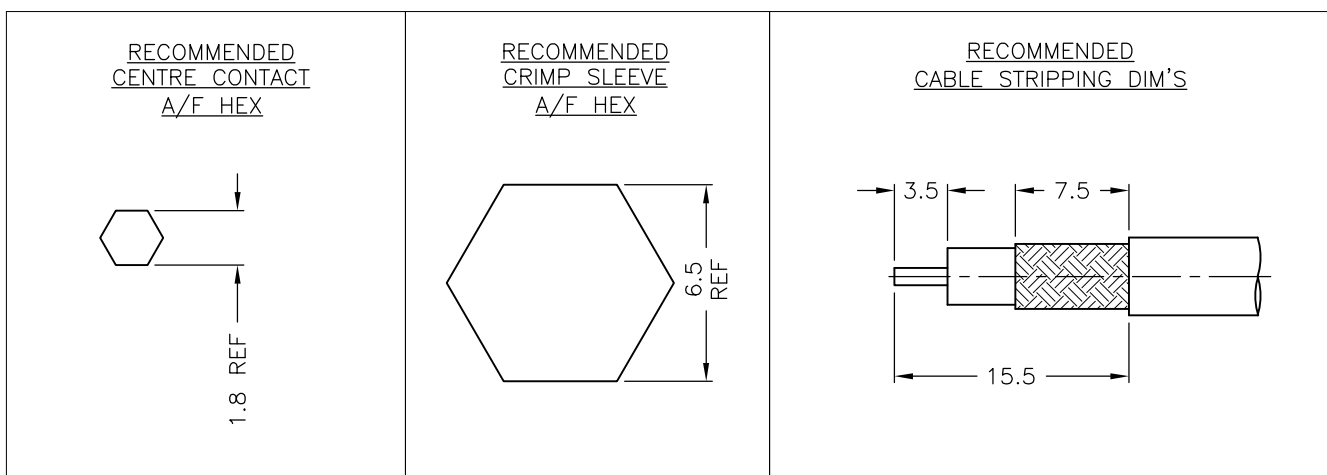
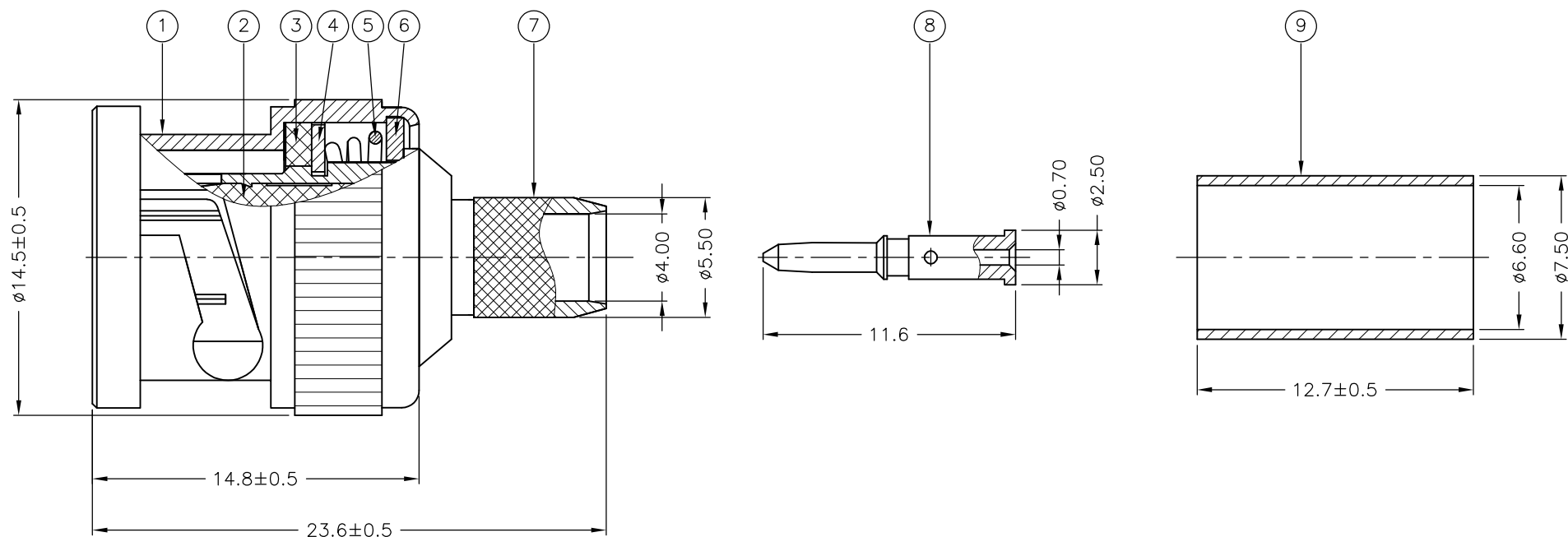
FREQUENCY RANGE:	DC - 2 GHz
NOMINAL IMPEDANCE:	75 Ohm
INSULATION RESISTANCE:	5000 MOhm
WORKING VOLTAGE:	500 Volts RMS at Sea Level
DIELECTRIC WITHSTAND VOLTAGE:	1500 Volts RMS Max
CONTACT RESISTANCE:	
CENTER CONTACT:	1.50 mOhm Max
OUTER CONTACT:	1.00 mOhm Max
VSWR @ 2GHz:	1.20:1 Max
INSERTION LOSS dB @ 2 GHz:	0.20 Max

9 MECHANICAL CHARACTERISTICS

COUPLING RETENTION FORCE:	266 N Min
CABLE RETENTION FORCE:	170 N Min
DURABILITY:	500 Cycles Min

10 ENVIRONMENTAL CHARACTERISTICS

OPERATING TEMPERATURE:	-65 to +165 DegC
------------------------	------------------



QTY	QTY PER ASSY	QTY PER ASSY	MATERIAL	DESCRIPTION	ITEM
1	1	1	BRASS	FERRULE	9
1	1	1	BRASS	CONTACT	8
1	1	1	BRASS	BODY	7
1	1	1	SK5	WASHER	6
1	1	1	SPRING STEEL	SPRING	5
1	1	1	SK5	WASHER	4
1	1	1	SILICON RUBBER	GASKET	3
1	1	1	PTFE	DIELECTRIC	2
1	1	1	BRASS	COLLAR	1
6--0	1--0				

THIS DRAWING IS A CONTROLLED DOCUMENT.		DWN J.SANDWELL 22NOV05	TE Connectivity NAME BNC STRAIGHT PLUG CRIMP 75 OHM RG59B/U, 62A/U, 140/U, 210/U, URM90, KX6A, KX25, KX52, KX53				
DIMENSIONS: mm		CHK S.PARLOW 22NOV05					
TOLERANCES UNLESS OTHERWISE SPECIFIED:		APVD F.WHEELER-KING 22NOV05					
0 PLC ± - 1 PLC ± 0.2 2 PLC ± 0.1 3 PLC ± - 4 PLC ± - ANGLES ± -		PRODUCT SPEC 108-112000					
MATERIAL SEE TABLE	FINISH -	APPLICATION SPEC 411-3247	WEIGHT -	SIZE A3	CAGE CODE 00779	DRAWING NO C-1337429	RESTRICTED TO -
CUSTOMER DRAWING			SCALE NTS	SHEET 1 OF 1	REV D		