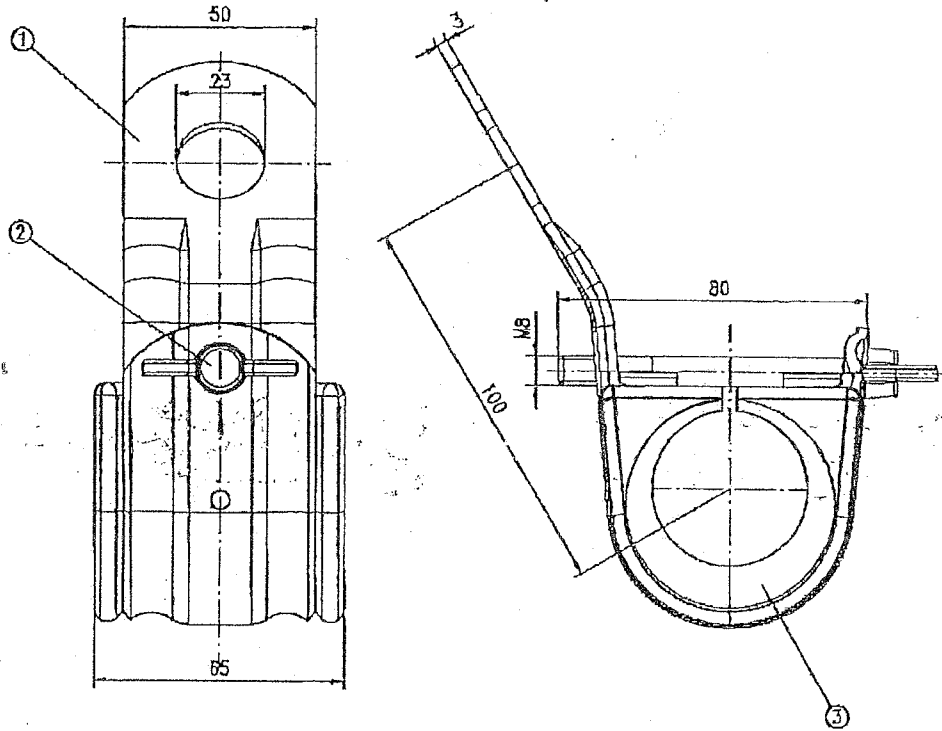


LOC	DIST	REVISIONS				
P	LTR REV	DESCRIPTION MODIFICATIONS	DATE	DWN DESS.	APVD APP.	
FH	2	0	EQ00-416-98	18sep1998	JB AD	
		A	MAJ VUES	21JUN2005	RB GP	



1319667-1	023177	PS 4120	4x120	40-42
PN	CODE	DESIGNATION	CAPACITIES (mm ²)	BUNDLE DIAMETER (mm)

20
 RELEASED FOR PUBLICATION
 LIBRE A LA DIFFUSION
 BY TYCO ELECTRONICS CORPORATION. ALL RIGHTS RESERVED.
 TOUS DROITS RESERVES.
 THIS DRAWING IS UNPUBLISHED.
 DIFFUSION RESTREINTE
 COPYRIGHT 20

DIMENSIONS: mm TOLERANCES UNLESS OTHERWISE SPECIFIED. TOLERANCES NON SPECIFIEES (SUIV NB DE DECIMALES): 0 PLC/DEC: ±0 1 PLC/DEC: ±0 2 PLC/DEC: ±0 3 PLC/DEC: ±0 4 PLC/DEC: ±0 ANGLES ±-	DWN/DESSINE R. BUTHIOT	21JUN2005	MATERIAL MATIERE	TOLERANCES UNLESS OTHERWISE SPECIFIED TOLERANCES NON SPECIFIEES: -	
	CHK/VERIFIE C. TISSE	-		FINISH FINITION -	
	APVD/APPROUVE G. PORCHERAY	-		tyco SIMEL Electronics 21220 Gevrey-Chambertin, FRANCE	
	PRODUCT SPEC SPEC. PRODUIT	-		NAME TITRE PS 4120	
APPLICATION SPEC SPEC. APPLICATION	-		SIZE FORMAT A4	CAGE CODE 00779	DRAWING NO No PLAN C-1319667
WEIGHT MASSE APPROX.			RESTRICTED TO RESERVE A -		
CUSTOMER DRAWING / PLAN CLIENT			UNIQUEMENT POUR REFERENCE	SCALE ECHELLE 1/2	SHEET FEUILLE 1 OF DE 1 REV A