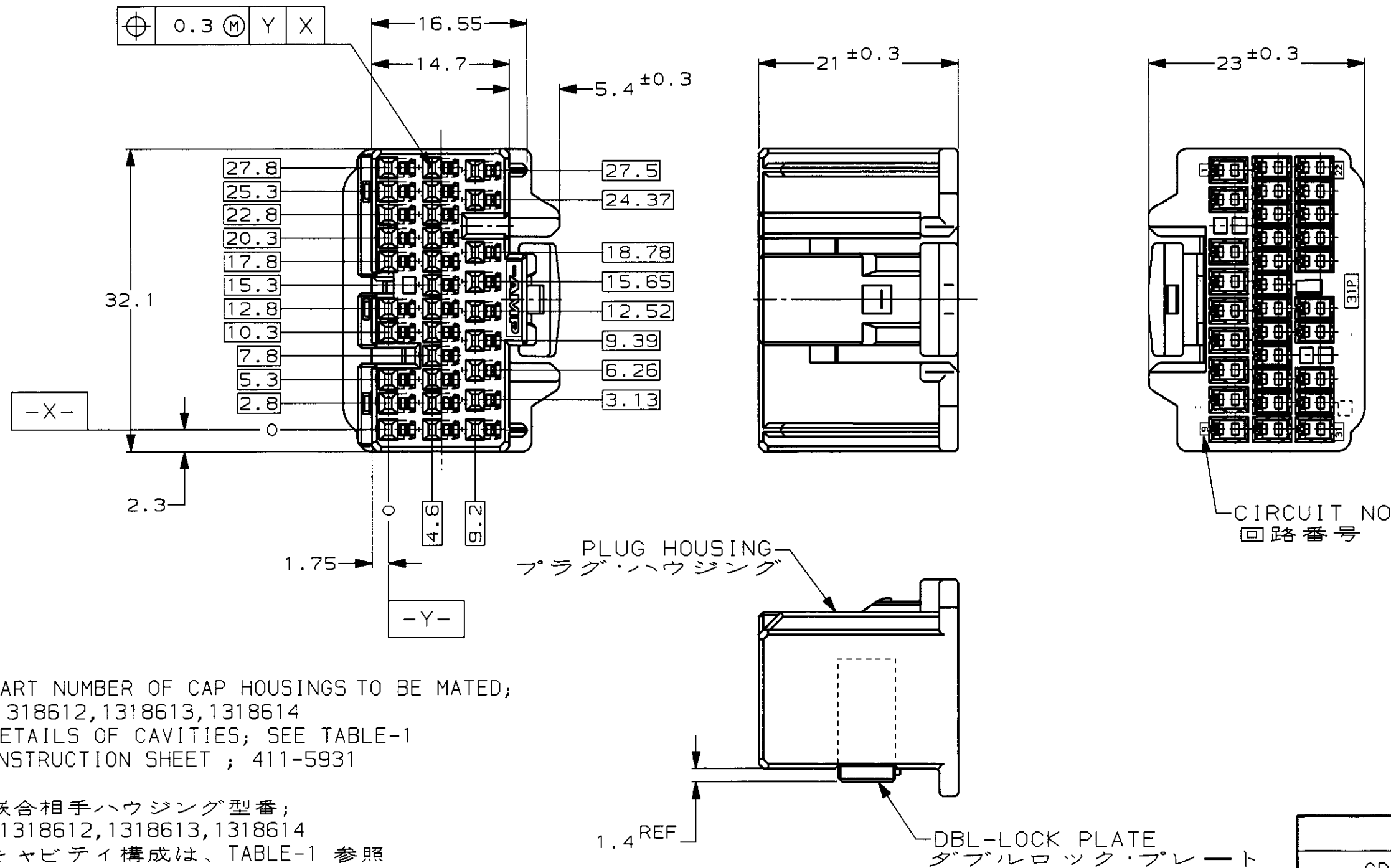


LOC	DIST	REVISIONS						
		P	LTR	DESCRIPTION	ECN	DATE	DWN	APVD
J	-	0		DRAWN	FJ00-1684-99	30SEP99	YF	KO



- PART NUMBER OF CAP HOUSINGS TO BE MATED;
1318612, 1318613, 1318614
 - DETAILS OF CAVITIES; SEE TABLE-1
 - INSTRUCTION SHEET ; 411-5931
- 嵌合相手ハウジング型番;
1318612, 1318613, 1318614
 - キャビティ構成は、TABLE-1 参照
 - 取扱説明書 411-5931

TABLE-1

CAVITY キャビティ	POS. 極数	CIRCUIT NO 回路番号	APPLIED CONTACT P/N 適用端子型番	APPLICABLE WIRE RANGE 適用電線	
S	20	10-20 22-30	CAVITY		
			S, M	316836	CAVUS 0.3~0.85mm ² AVSS/CAVS 0.3~0.5mm ²
M	11	1-9 21 31	S, M	1123653	CAVUS 0.85mm ² CAVS/AVSS 0.85mm ²
			M	316838	CAVUS 1.25mm ² AVSS/CAVS 0.85~1.25mm ² AVS 0.5mm ²

THIS DRAWING IS A CONTROLLED DOCUMENT FOR AMP INCORPORATED. IT IS SUBJECT TO CHANGE AND THE CONTROLLING ENGINEERING ORGANIZATION SHOULD BE CONTACTED FOR THE LATEST REVISION.

DIMENSIONS: 単位・概 mm

TOLERANCES UNLESS OTHERWISE SPECIFIED

一般公差
10% : ±0.2
30% : ±0.25
100% : ±0.3
ANGLE : ±3°

MATERIAL 材料 PBT

COLOR 色 SEE TABLE 表参照

DWN 29SEP99
Y.FUJIWALA

CHK 30SEP99
K.ODA

APVD 30SEP99
K.ODA

PRODUCT SPEC
108-5673

APPLICATION SPEC
114-5217

WEIGHT 6.9g

CUSTOMER DRAWING

GRAY (灰)	1318682-6
COLOR (色)	PART NUMBER (型番)
AMP 日本エー・エム・ピー株式会社 Kawasaki, Japan	
NAME 名称 040III HIGH DENSITY CONNECTOR 31POS PLUG HOUSING ASSY (C TYPE)	
SIZE A3	CAGE CODE 00779
DRAWING NO. 番号 C-1318682	
SCALE 尺度 2-1	SHEET 1 OF 1
REV 0	