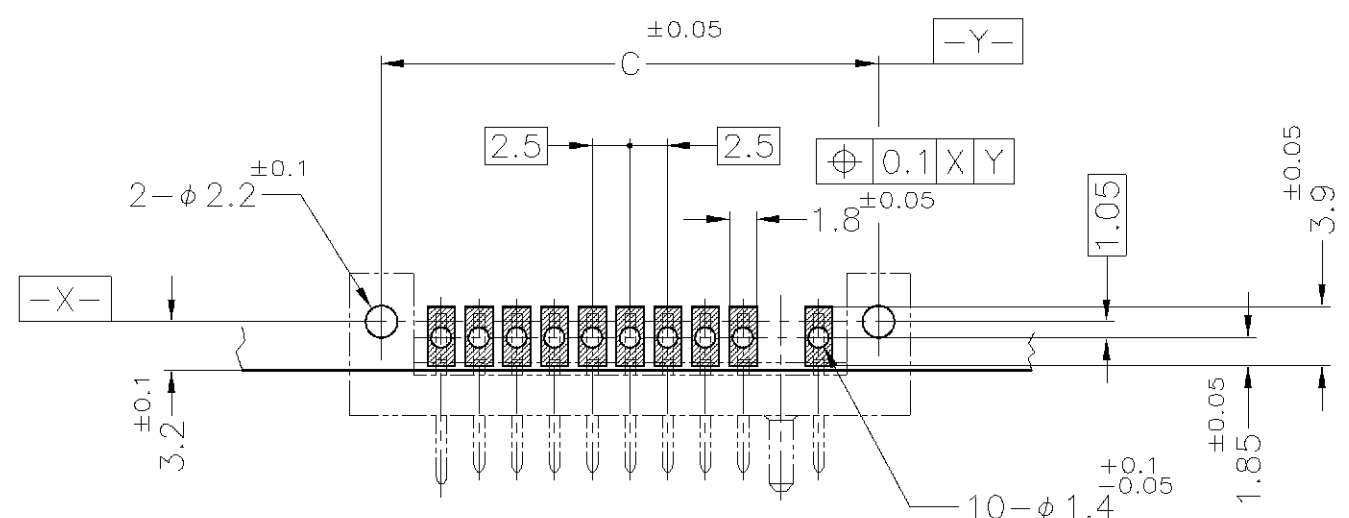
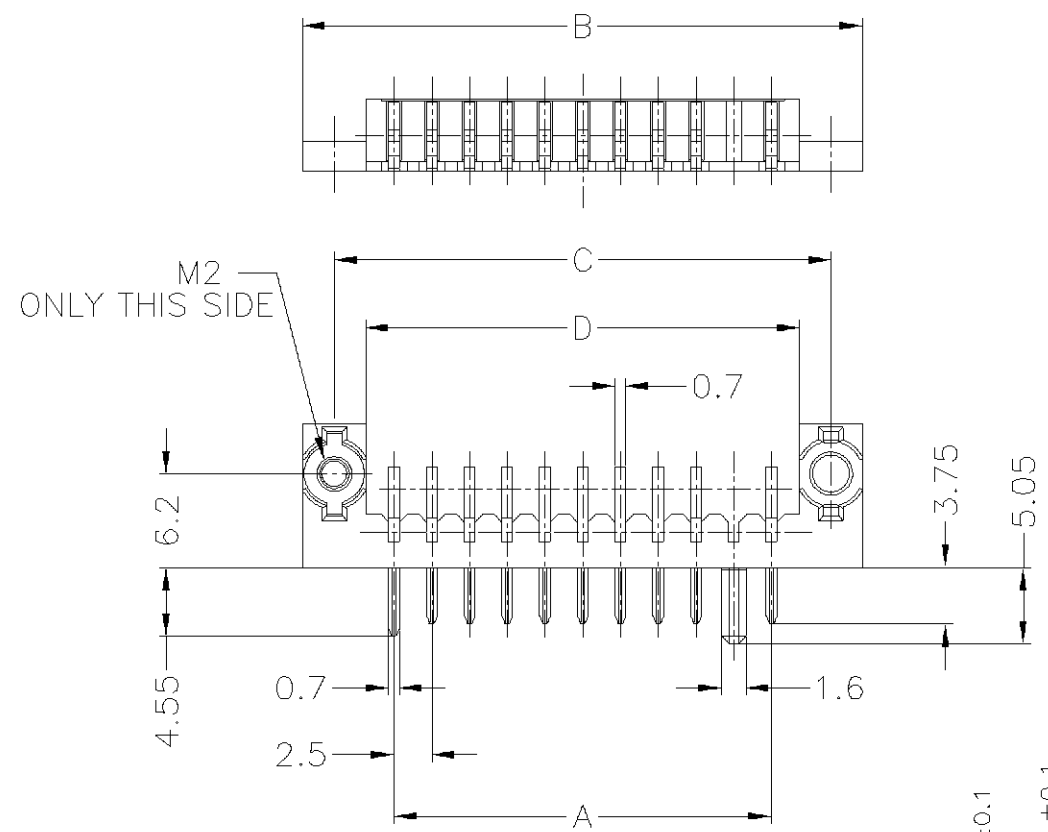
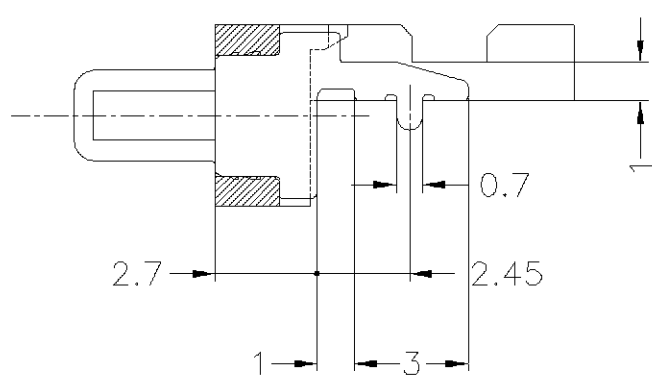
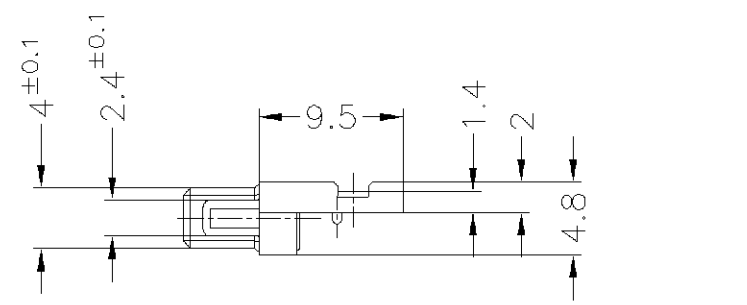
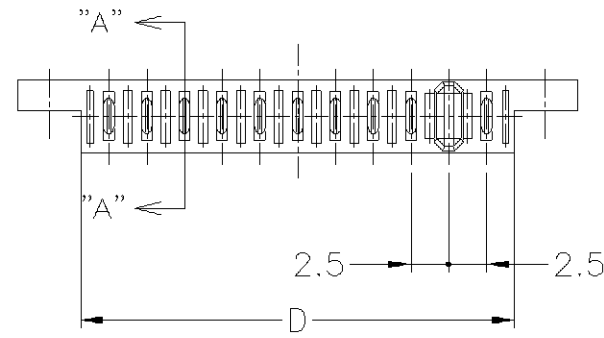


THIS DRAWING IS UNPUBLISHED. RELEASED FOR PUBLICATION
 © COPYRIGHT BY TYCO ELECTRONICS CORPORATION. ALL RIGHTS RESERVED.

LOC	DIST	REVISIONS		
J	-	P	LTR	DESCRIPTION
		A	REVISED	FJ00-1135-02
				DATE: 05JUN02
				DWN: T.K
				APVD: K.K



基板取付推奨寸法
 RECOMMENDED P.C.BOARD LAYOUT
 P.C.BOARD THK 0.8~1.2
 (VIEW FROM CONNECTOR MOUNTING SIDE)



SECT. "A"-"A"
 (SCALE:5-1)

- 注記
- △1 材料 ハウジング : 熱可塑性樹脂 UL94V-0
色 ; 黒
コンタクト : 銅合金
ナットプレート : ステンレススチール
 - △2 仕上げ コンタクト : Ni 下地メッキ
接触部 金メッキ
半田付け部 Sn-Pb メッキ

- NOTES
- △1 MATERIAL HOUSING : THERMOPLASTIC RESIN, UL94V-0
COLOR ; BLACK
CONTACT : COPPER ALLOY
NUT-PLATE : STAINLESS STEEL
 - △2 FINISH CONTACT : Ni ALL OVER UNDER PL
GOLD PL. AT CONTACT AREA
TIN-LEAD PL. AT LEAD AREA

28.7	32.9	37.1	25	10	1318572-7
26.2	30.4	34.6	22.5	9	1318572-6
23.7	27.9	32.1	20	8	1318572-5
21.2	25.4	29.6	17.5	7	1318572-4
18.7	22.9	27.1	15	6	1318572-3
16.2	20.4	24.6	12.5	5	1318572-2
13.7	17.9	22.1	10	4	1318572-1
D	C	B	A	N (POS)	P/N

THIS DRAWING IS A CONTROLLED DOCUMENT.

DIMENSIONS: 単位: 耗 MM

TOLERANCES UNLESS OTHERWISE SPECIFIED: 一般公差

⊕ PLC ± 0.15
 ⊕ PLC ±
 ⊕ PLC ±
 ⊕ PLC ±
 ANGLE ± 3°
 FINISH 仕上

MATERIAL 材料

tyco Electronics

Tyco Electronics AMP K.K.
Kawasaki, Japan

NAME 名称: PLUG ASSEMBLY
2.5mm PITCH BATTERY CONNECTOR
(OFF SET ONE SIDE NUT-PLATE TYPE)

PRODUCT SPEC 製品規格: 108-5775

APPLICATION SPEC 取付適用規格

WEIGHT

SIZE: A3 CAGE CODE: 00779 DRAWING NO: C-1318572 RESTRICTED TO: -

CUSTOMER DRAWING SCALE 尺度: 2:1 SHEET 1 OF 1 REV A