

4

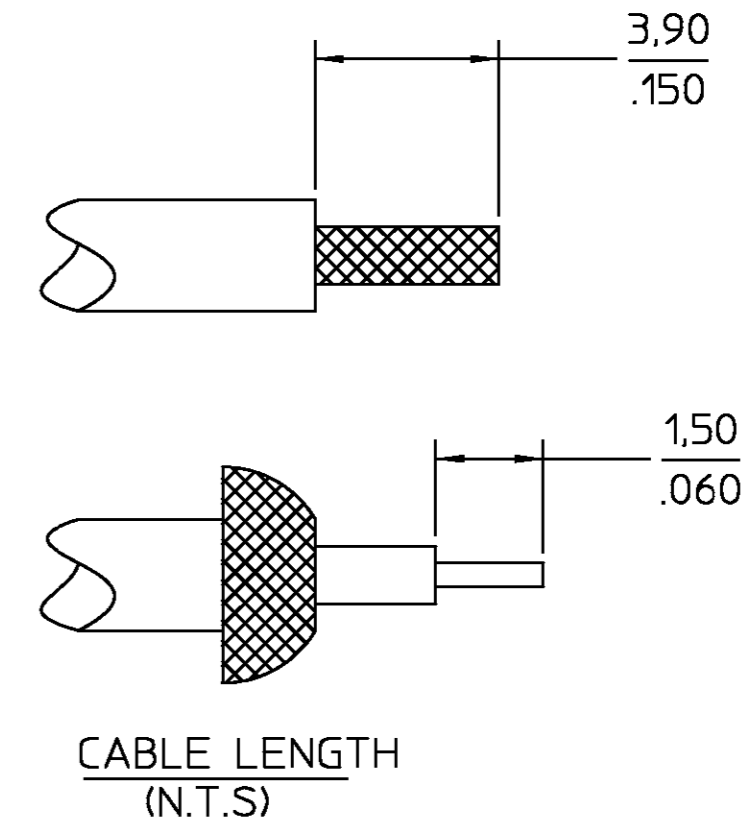
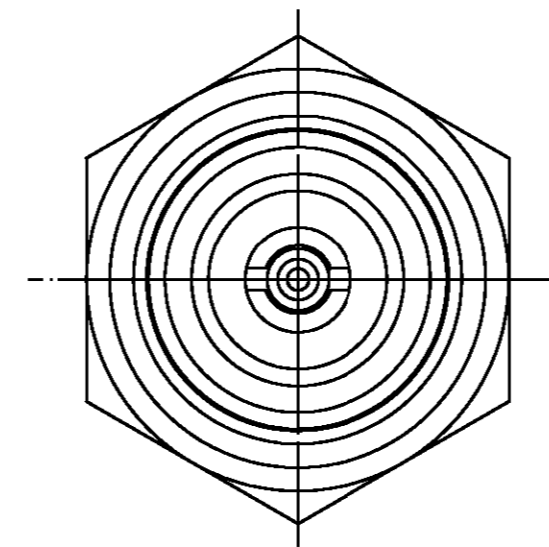
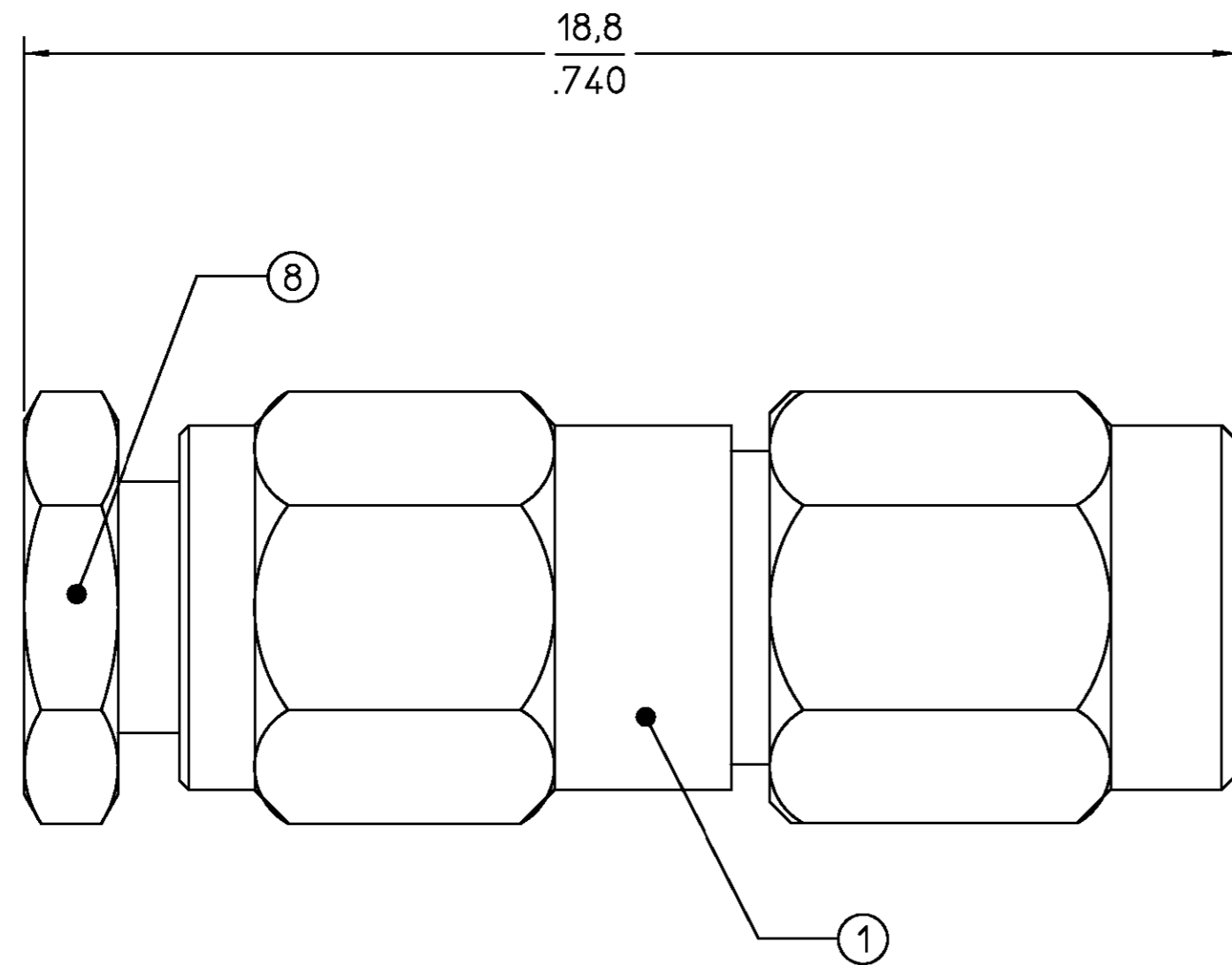
3

2

1

THIS DRAWING IS UNPUBLISHED. RELEASED FOR PUBLICATION
 © COPYRIGHT - BY TYCO ELECTRONICS CORPORATION. ALL RIGHTS RESERVED.

LOC	DIST	REVISIONS			
P	LTR	DESCRIPTION	DATE	DWN	APVD
HC	00	0	RELEASE	07/25/01	VM



TM3306, RG174A/U, RG188A/U, RG316/U	1401371-2	1401359-1	1401440-2	1401405-2	1401396-1	1401397-1	1401426-2	1404216-1	1310892-1
CABLE TYPE	CLAMP NUT ⑧ QTY.= 1	* GASKET ⑦ QTY.= 1	WASHERS * ⑥ QTY.= 2	* SLEEVE ⑤ QTY.= 1	* DIELECTRIC ④ QTY.= 1	* DIELECTRIC ③ QTY.= 1	FEMALE CONTACT * ② QTY.= 1	SUB ASSY ① QTY.= 1	AMP PART #

- NOTES:
- * 1. ITEMS ② ③ ④ ⑤ ⑥ AND ⑦ NOT SHOWN.
 - 2. SEE INSTRUCTION SHEET PER 408-08307

THIS DRAWING IS A CONTROLLED DOCUMENT.		DWN VM	07-25-01	AMP Tyco Electronics Corporation Waltham MA. 02451-7599	
DIMENSIONS: MM/INCHES	TOLERANCES UNLESS OTHERWISE SPECIFIED:	CHK --	APVD --	NAME (C65A01G022X)	
	±.127 MM ±.005 IN	PRODUCT SPEC --	"SMC" FEMALE PLUG		
	ANGLES ±1°	APPLICATION SPEC --	SIZE A2	CAGE CODE 26805	DRAWING NO 1310892
CUSTOMER DRAWING		WEIGHT --	RESTRICTED TO --	SCALE 10:1	SHEET 1 OF 1
		REV 0			