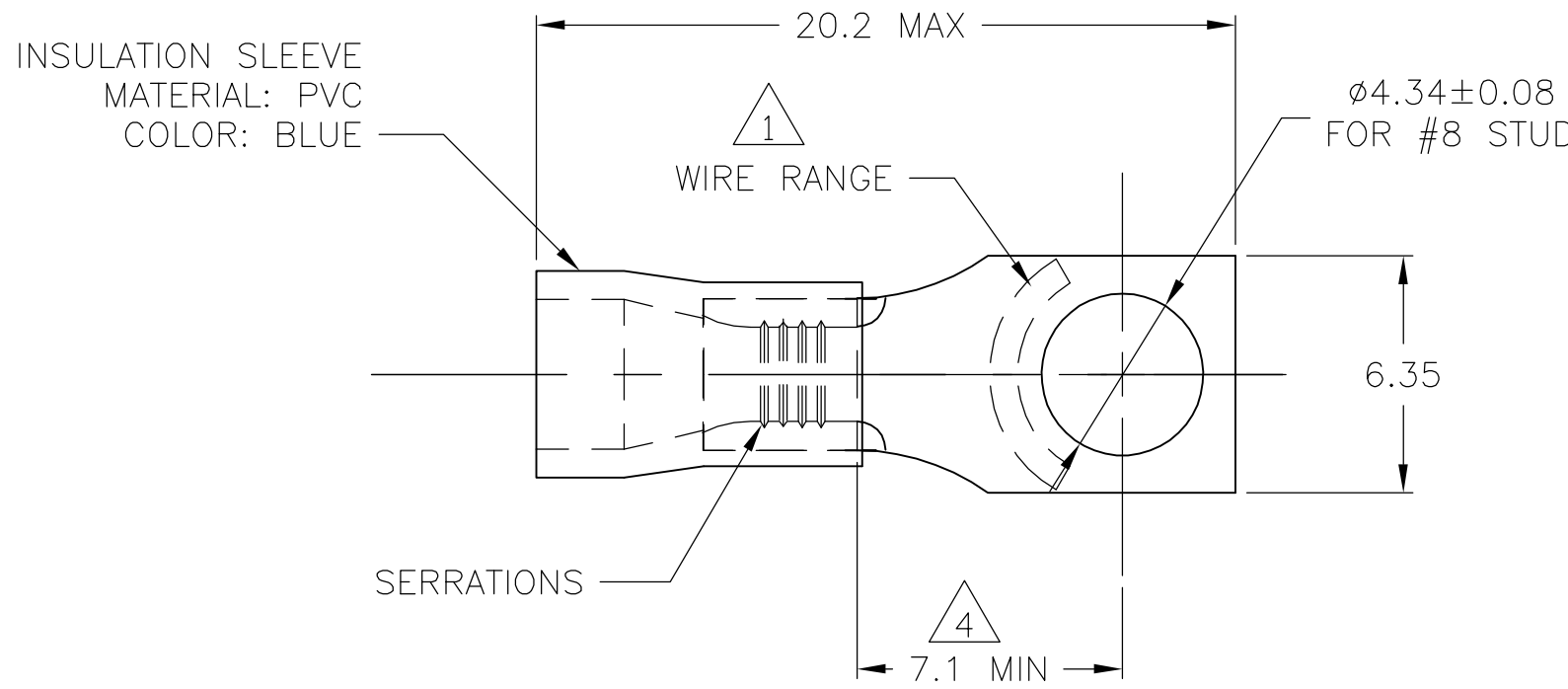
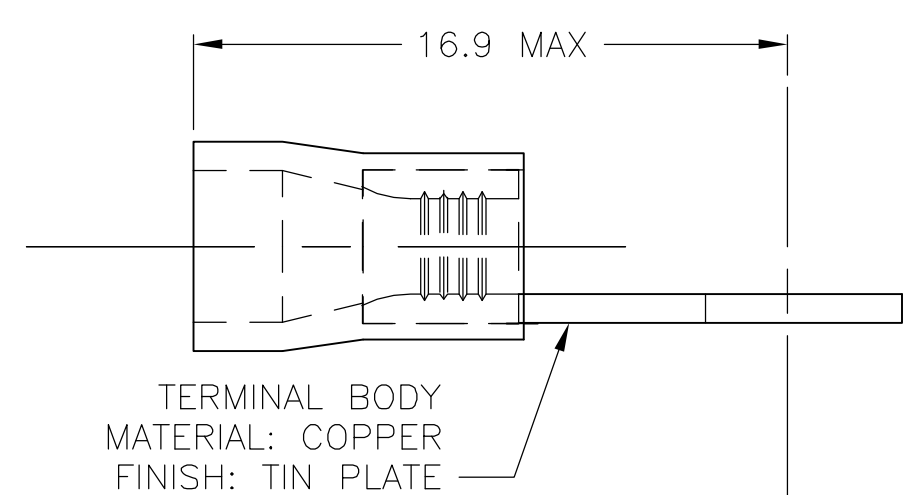


THIS DRAWING IS UNPUBLISHED. RELEASED FOR PUBLICATION
 © COPYRIGHT BY TYCO ELECTRONICS CORPORATION. ALL RIGHTS RESERVED.

LOC	DIST	REVISIONS			
P	LTR	DESCRIPTION	DATE	DWN	APVD
G	02	B	REV PER ECR 05-009599	08DEC05	JR TM



- 1 WIRE SIZE IS 16-14 AWG
- 2 WIRE INSULATION DIA: 3.0-4.9
- 3 MATERIAL THICKNESS IS 0.80±0.05
- 4 DIMENSION APPLIES FROM EDGE OF METAL WIRE BARREL TO CENTER OF STUD HOLE.
- 5 600 VOLT MAX
- 6 CIRCULAR MIL AREA:
2,050 - 5,180 (1.04mm²-2.62mm²)



ON TAPE, REEL	STANDARD	4000	2-130742-1
PLASTIC BAG	STANDARD	1000	130742
PACKAGING	LABELLING	QTY	PART NO

THIS DRAWING IS A CONTROLLED DOCUMENT.		DWN jr_ruth 08DEC05	Tyco Electronics Corporation Harrisburg, PA 17105-3608	
DIMENSIONS: mm		CHK T MICHIELUTTI 08DEC05		
TOLERANCES UNLESS OTHERWISE SPECIFIED:		APVD T MICHIELUTTI 08DEC05	NAME	
0 PLC ± -		PRODUCT SPEC	TERMINAL, SPADE, PLASTI-GRIP,	
1 PLC ± 0.5		APPLICATION SPEC	-	
2 PLC ± -		WEIGHT	SIZE	CAGE CODE
3 PLC ± -		-	DRAWING NO	
4 PLC ± -			RESTRICTED TO	
ANGLES ± 1'		A3 00779 C-130742		
MATERIAL -		CUSTOMER DRAWING		SCALE 5:1
FINISH -		SHEET 1 OF 1		REV B