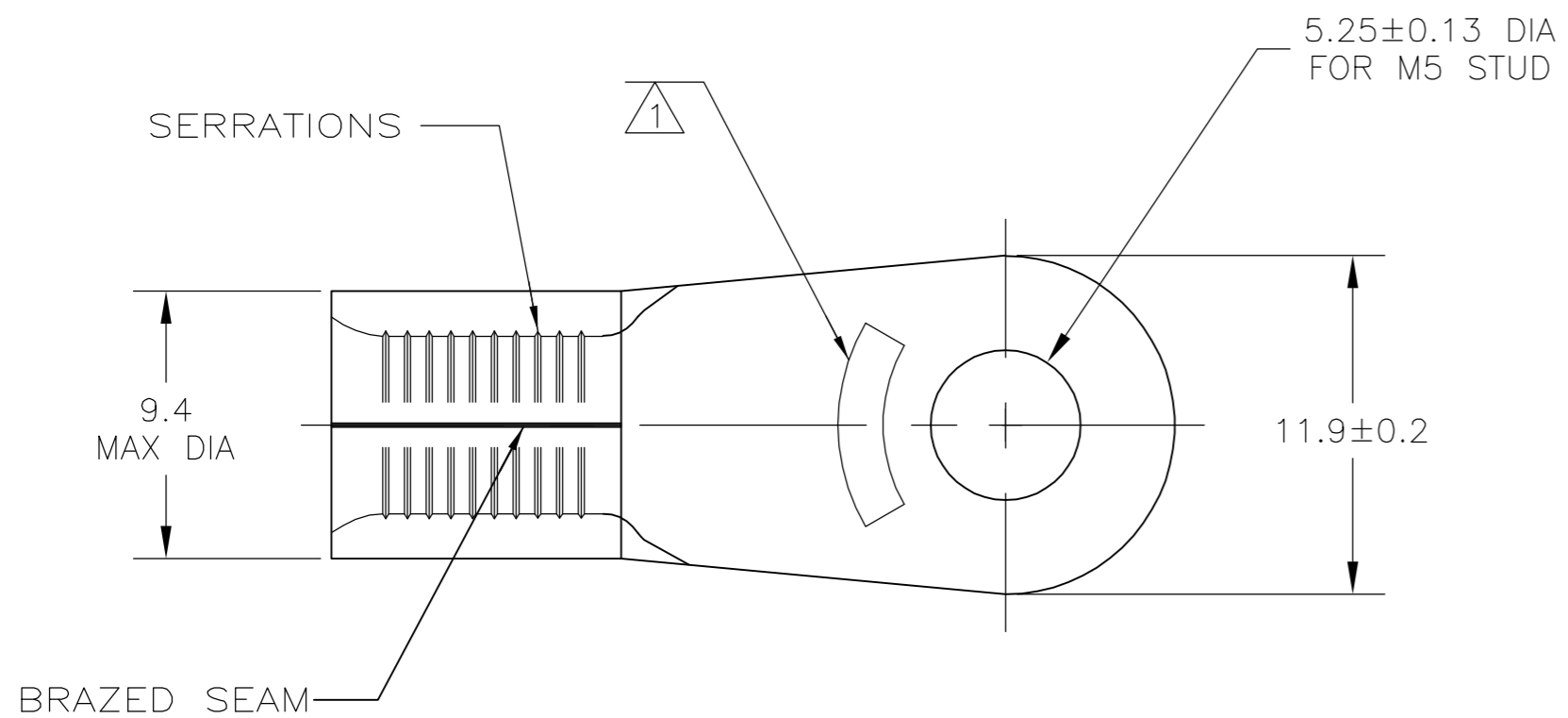


THIS DRAWING IS UNPUBLISHED. RELEASED FOR PUBLICATION  
 © COPYRIGHT BY TYCO ELECTRONICS CORPORATION. ALL RIGHTS RESERVED.

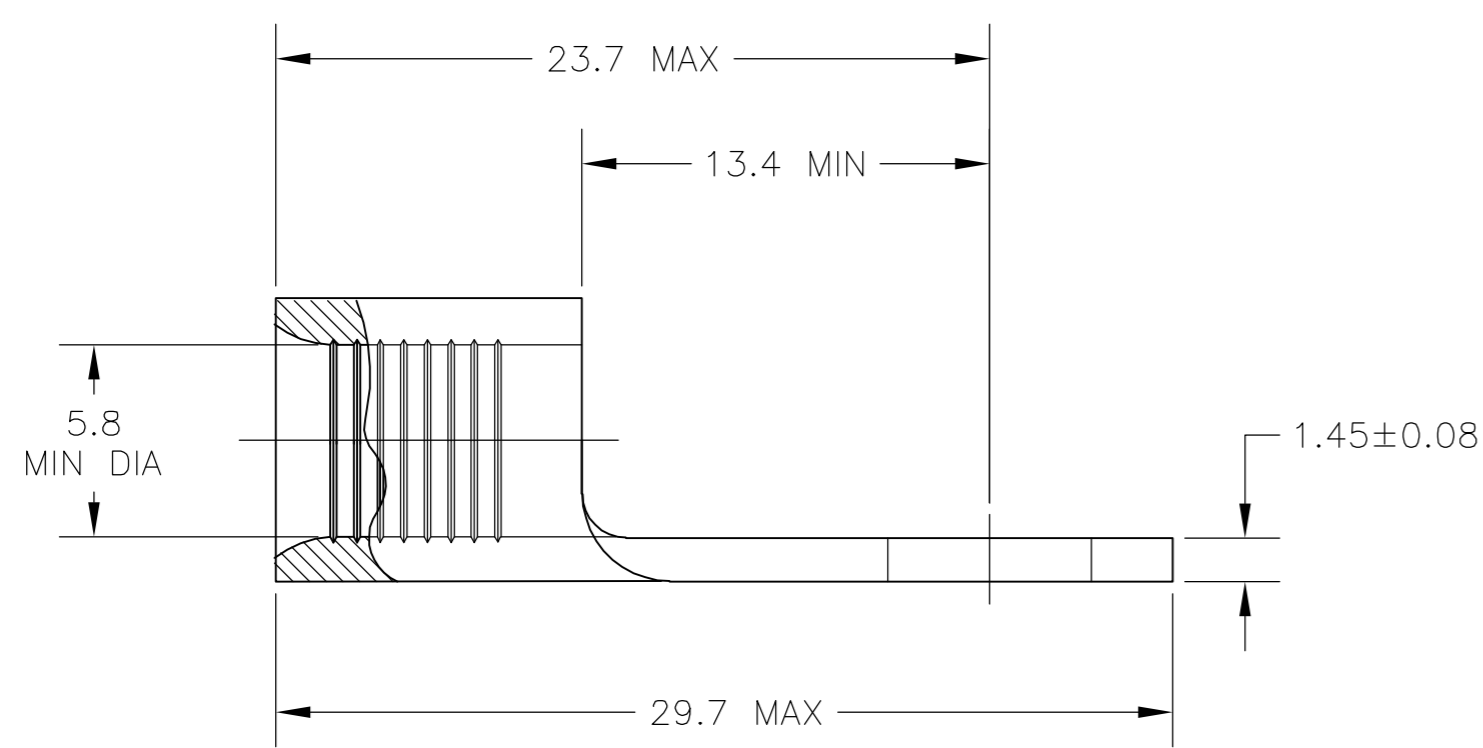
LOC	DIST	REVISIONS					
		P	LTR	DESCRIPTION	DATE	DWN	APVD
G	14		A	REDRAWN PER ECR 05-010490	08SEP05	JR	TM



**AMP**  
WIRE RANGE

6 AWG  
SOLID OR STRANDED

- 1 STAMP AMP 6\* APPROX AS SHOWN
- 2 COPPER PER ASTM B-152, ANNEALED
- 3 MAX OPERATING TEMP IS 170°C
- 4 WIRE CROSS SECTIONAL AREA RANGE:  
10.5-16.8mm<sup>2</sup> [20,800-33,100] CIR MILS  
SOLID OR STRANDED WIRE



LOOSE PIECE	100	TIN PLATE 0.00254[.000100] MIN THK PER MIL-T-10727	130552
PACKAGE TYPE	QTY	FINISH	PART NO.

THIS DRAWING IS A CONTROLLED DOCUMENT.		DWN JR RUTH 08SEP05	Tyco Electronics Corporation Harrisburg, Pa 17105-3608	
DIMENSIONS: mm <del>INCHES</del>		CHK T MICHIELUTTI 08SEP05	NAME T MICHIELUTTI	
TOLERANCES UNLESS OTHERWISE SPECIFIED:		APVD T MICHIELUTTI 08SEP05	PRODUCT SPEC	
0 PLC ± - 1 PLC ± - 2 PLC ± - 3 PLC ± - 4 PLC ± - ANGLES ± - FINISH SEE TABLE		APPLICATION SPEC	TERMINAL, RING TONGUE, SOLISTRAND	
MATERIAL	FINISH	WEIGHT	SIZE A2	RESTRICTED TO
			CAGE CODE 00779	
			DRAWING NO C=130552	
CUSTOMER DRAWING			SCALE 4:1	SHEET 1 OF 1
			REV A	

130552