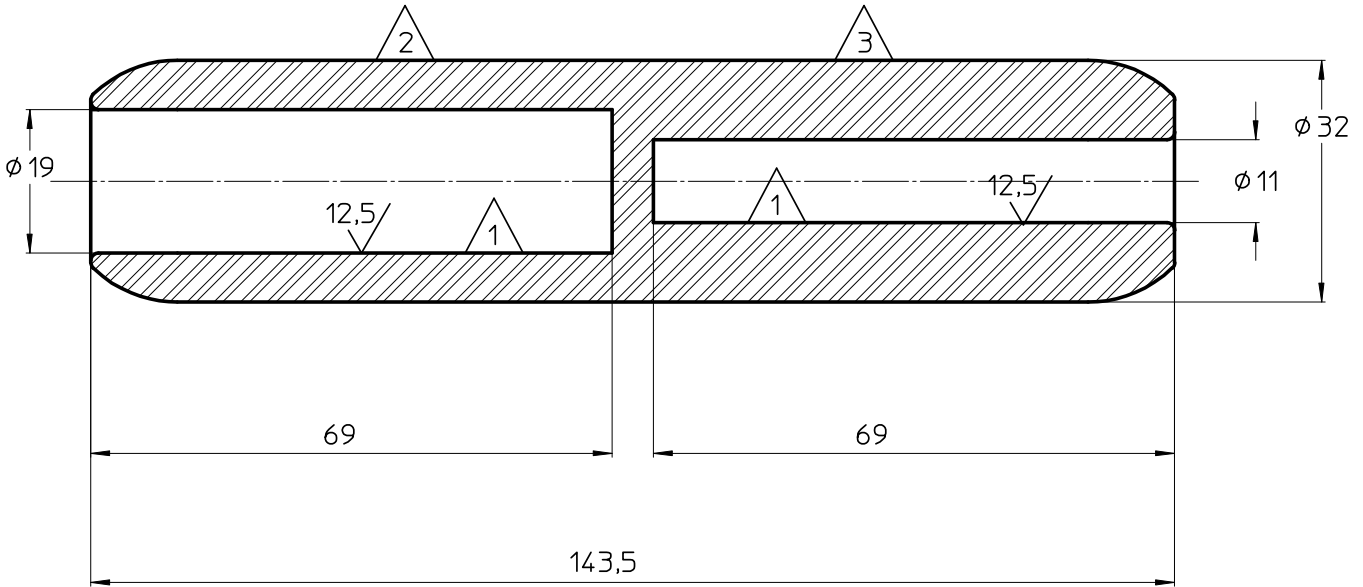


LOC	DIST	REVISIONS					
		P	LTR REV	DESCRIPTION MODIFICATIONS	DATE	DWN DESS.	APVD APPR
-	-		A	CREATION	22-Nov-13	GC	NA




1 Graise/Greased

2 MARQUAGE/MARKING:
Reference Logo Bacht Die (MJ4E-4E)

3 MARQUAGE/MARKING: Section (70)

1273158-1
Part Number

2011
 RELEASED FOR PUBLICATION
 LIBRE A LA DIFFUSION
 ALL RIGHTS RESERVED.
 TOUS DROITS RESERVES
 BY TYCO ELECTRONICS CORPORATION
 THIS DRAWING IS UNPUBLISHED.
 DIFFUSION RESTREINTE
 COPYRIGHT 2011

DIMENSIONS: mm	DWN /DESSINE G.CARLHIAN	22-Nov-13	MATERIAL MATIERE	AIU 1050	FINISH FINITION	-
	CHK /VERIFIE E.DEREY	-	 TE connectivity SIMEL PRODUCTS			
TOLERANCES UNLESS OTHERWISE SPECIFIED PER TOLERANCES NON SPECIFIEES SELON :-	APVD /APPROUVE N.ALMEIDA	-				
	PRODUCT SPEC SPEC. PRODUIT	-	SIZE FORMAT	A4	CAGE CODE	00779
	APPLICATION SPEC SPEC. APPLICATION	C33-090-1	DRAWING NO No PLAN	© = 1273158		RESTRICTED TO RESERVE A
	APPROX. WEIGHT MASSE APPROX.	233g				
CUSTOMER DWG / PLAN CLIENT			UNIQUEMENT POUR REFERENCE	SCALE ECHELLE - :-	SHEET FEUILLE 1 OF 1 DE 1	REV A