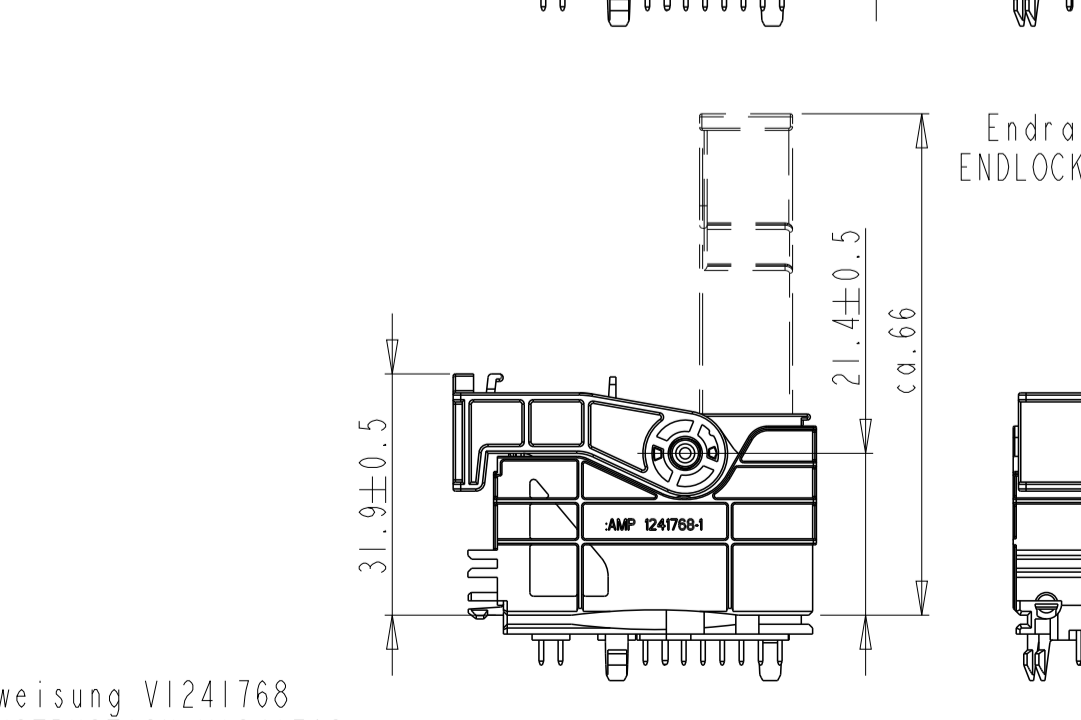
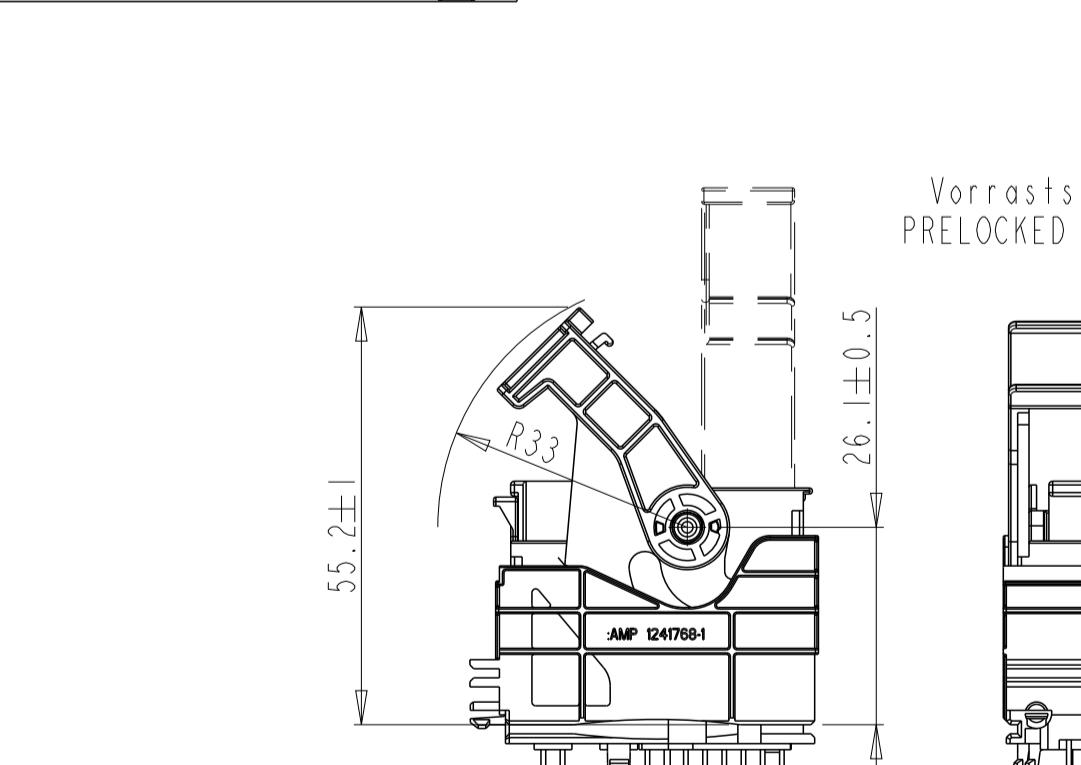
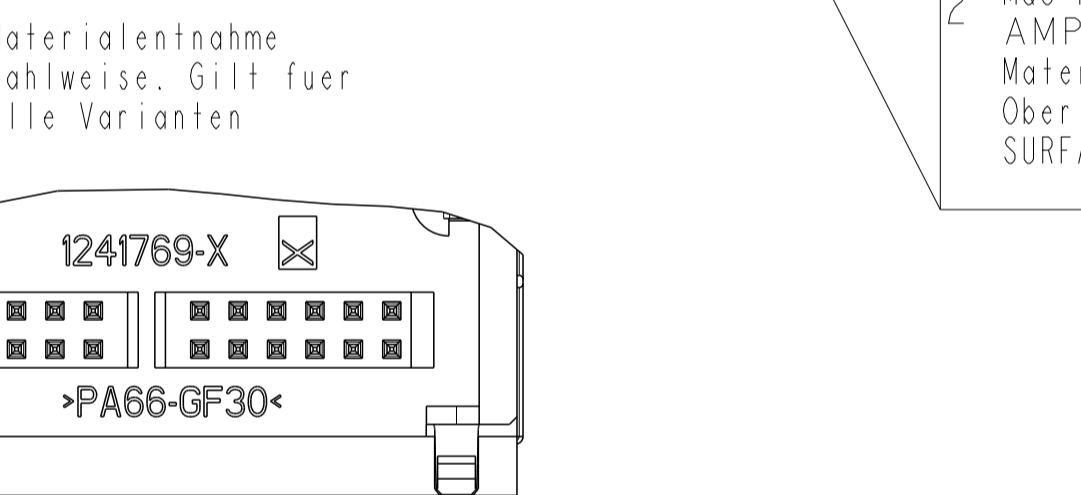
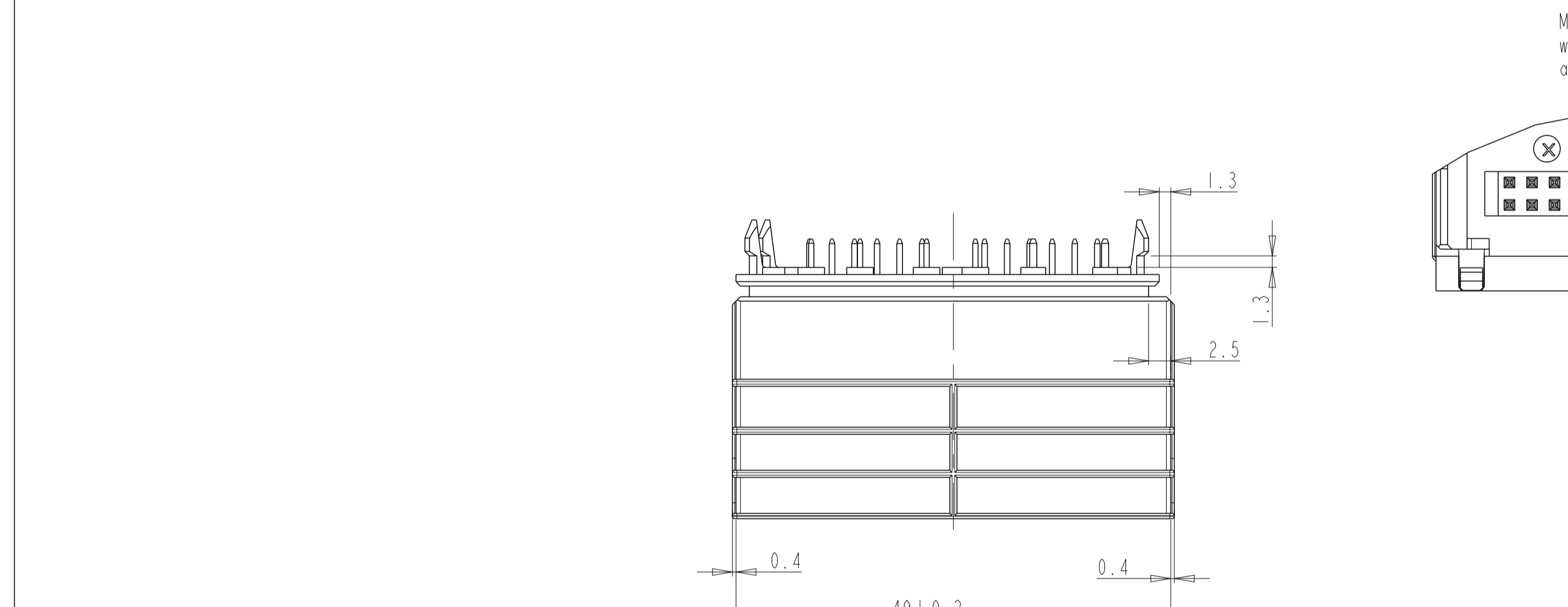
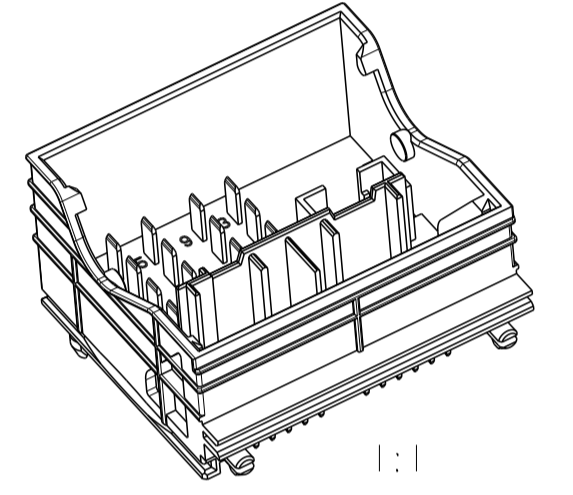
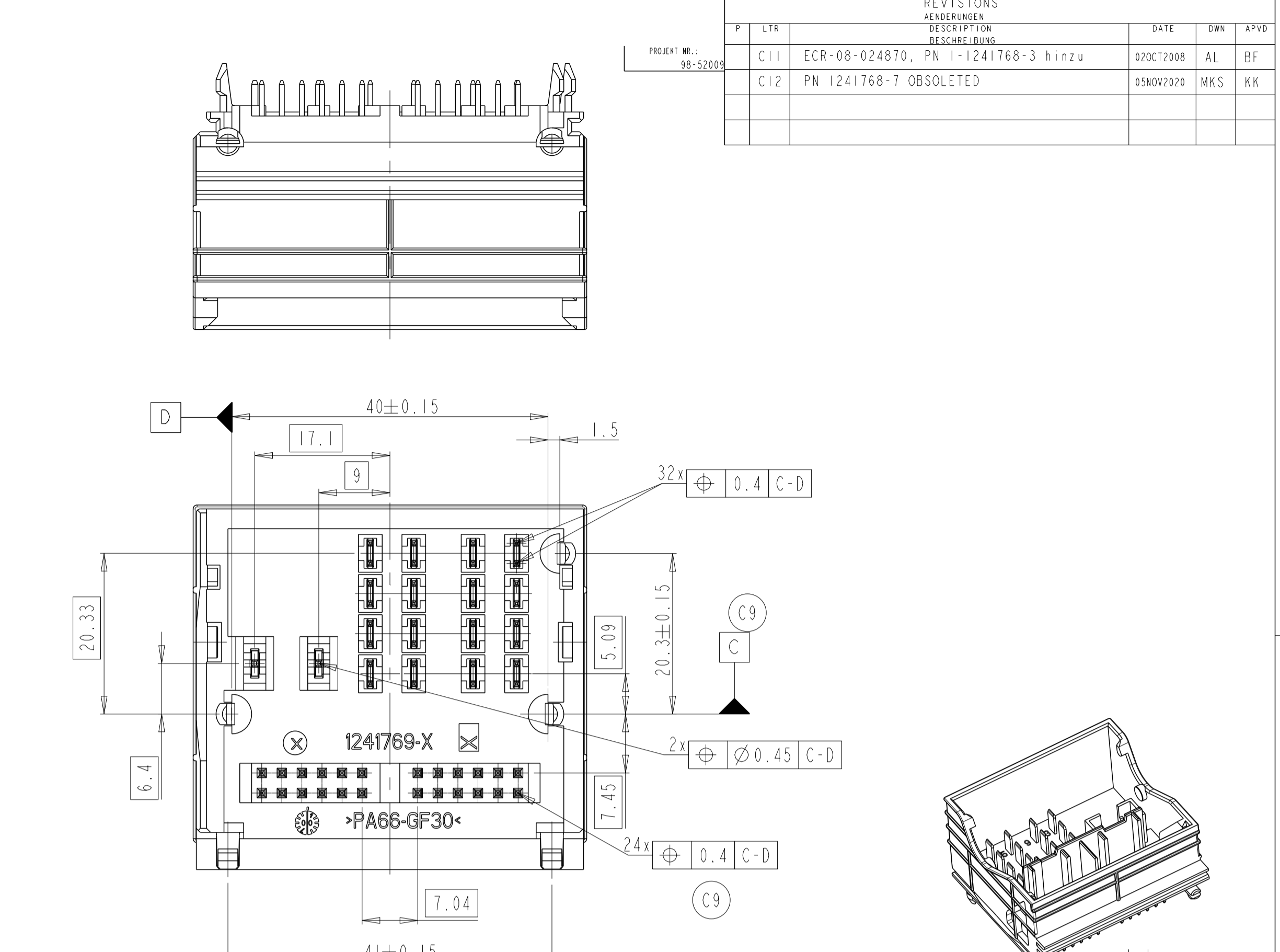
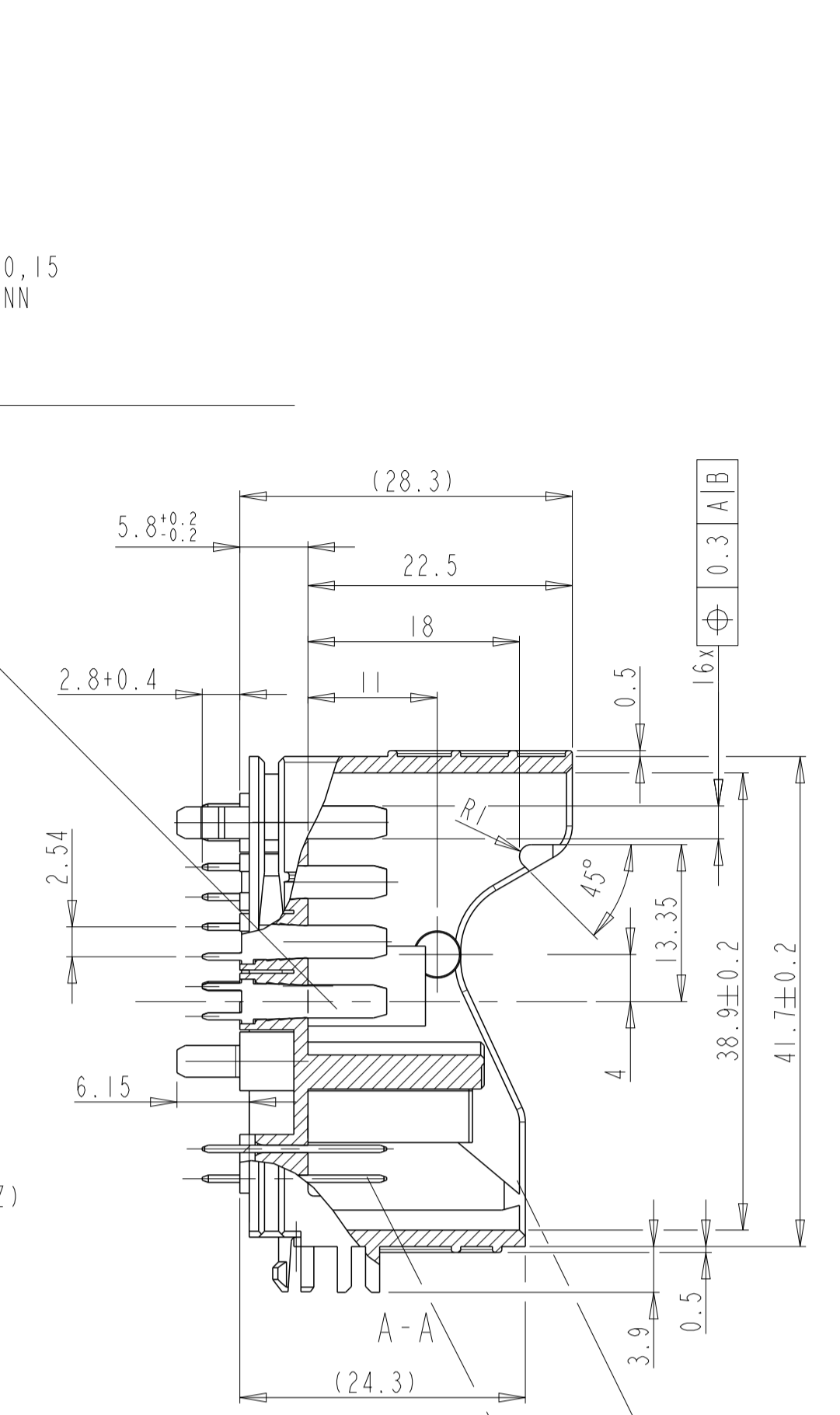
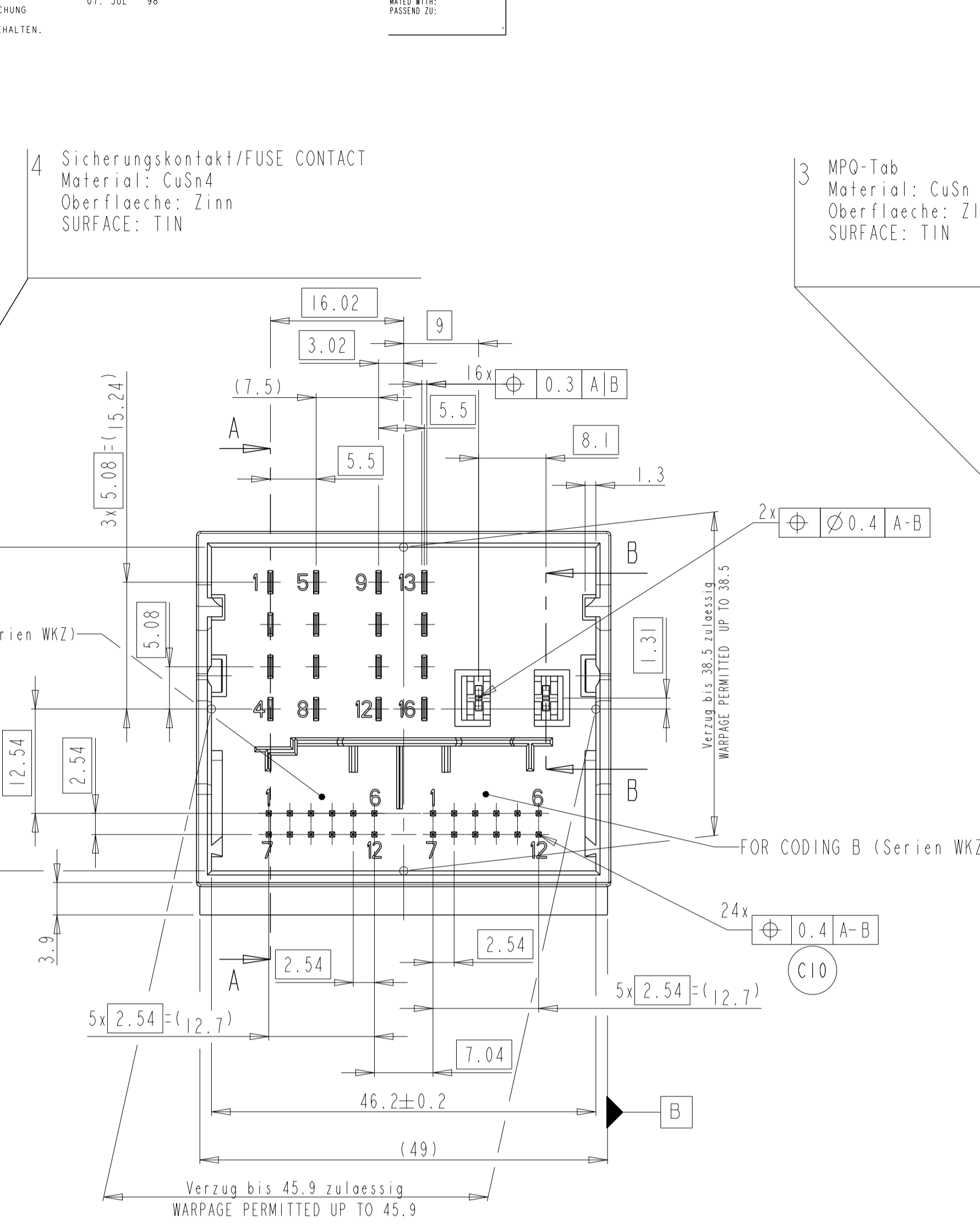
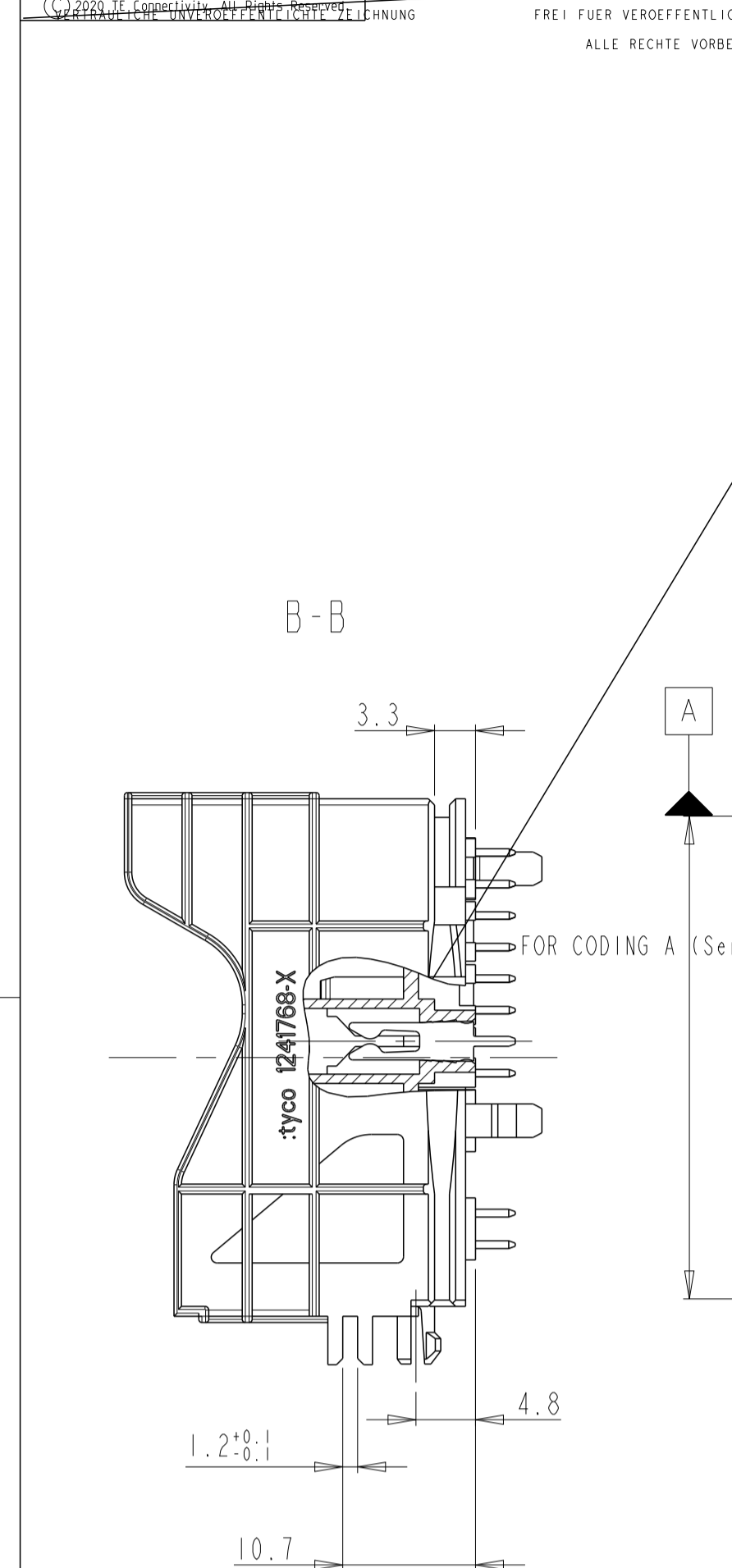


| REVISIONS | | DATE | OWN | APVD |
|-----------|-----|-------------------------------------|-----------|--------|
| P. | LYN | DESCRIPTION | | |
| C11 | | ECR-08-024870, PN 1-1241768-3 hinzu | 02OCT2008 | AL BF |
| C12 | | PN 1241768-7 OBSOLETED | 05NOV2020 | MKS KK |



1 Stiftwanne/PIN HEADER
Material: PA66-GF30
Farbe: siehe Tabelle
COLOR: SEE TABLE (C11)

2 MOS-PIN
AMP SPEC. 114-18063-1
Material: CuFe2 F56
Oberflaeche: Zinn
SURFACE: TIN

Materialentnahme
wahlweise. Gilt fuer
alle Varianten

- Bemerkungen
NOTES
- 1 Massgebend ist der deutsche Text
ONLY THE GERMAN-LANGUAGE VERSION SHALL BE BINDING
 - 2 Kontaktausdrueckkraft >25N mit Vorschub 25mm/min
PRESS OUT FORCE OF CONTACTS >25N WITH FORCE 25mm/min
 - 3 Verpackung: lagenweise (Karton, Teil), nach Verpackungsanweisung VI241768
PACKING: IN LAYERS (BOX, SAMPLE), ACC. PACKAGING INSTRUCTION VI241768
 - 4 Loeftbarkeit gemass DIN IEC 60068-2-20, Alterung 3
SOLDERABILITY ACCORDING DIN IEC 60068-2-20, AGEING 3
 - 5 Einzelheiten der Ausfuehrung bleiben dem Hersteller ueberlassen
DETAILS OF DESIGN ARE LEFT TO MANUFACTURER
 - 6 Produkt darf nur mit Zustimmung von BMW, in Absprache mit FAKRA und VW, geaendert werden
PRODUCT SHALL BE CHANGED WITH THE AGREEMENT OF BMW, FAKRA AND VW ONLY
 - 7 PN 1-1241768-2/ 1-1241768-3 verpackt in ESD-Tray (PS-leitfaehig) und Karton, nach Verpackungsanweisung VI241768
PN 1-1241768-2/ 1-1241768-3 PACKED INTO ESD-TRAY (PS CONDUCTIVE) AND CARTON, ACC. PACKAGING INSTRUCTION VI241768

| SEE SHEET 2 OF 2 | TE Bestell-Nr. ORDER NO. | REV. | POS. | Stk. QTY. | Benennung DESCRIPTION | Oberflaeche SURFACE | Farbe COLOUR | Passend zu: SUITABLE FOR: |
|------------------|-----------------------------|------|------|--------------|--------------------------|------------------------|--------------------------|------------------------------|
| SEE SHEET 2 OF 2 | 1-1241768-3 | C | - | 4 | 2 | ESD- TRAY | BLACK | 1241765-2 1-1355035-1 |
| | | | 4 | 2 | FUSE CONTACT | TIN | | |
| | | | 3 | 16 | TAB 2.8x0.6 | TIN | | |
| | | | 2 | 24 | MOS PIN | TIN | | |
| | | | 5 | 1 | PIN HEADER | LIGHT BLUE | | |
| SEE SHEET 2 OF 2 | 1-1241768-2 | C | - | 4 | 2 | ESD-TRAY | BLACK | 1241765-2 1-1355035-1 |
| | | | 4 | 2 | FUSE CONTACT | TIN | | |
| | | | 3 | 16 | TAB 2.8X0.6 | TIN | | |
| | | | 2 | 24 | MOS PIN | TIN | | |
| | | | 5 | 1 | PIN HEADER | BLACK | | |
| SEE SHEET 2 OF 2 | OBSOLETE 1-1241768-7 | B | 4 | 2 | FUSE CONTACT | TIN | 1241765-2 1-1355035-1 | |
| | | | 3 | 16 | TAB 2.8X0.6 | TIN | | |
| | | | 2 | 4 | MOS PIN | TIN | | |
| | | | 10 | 1 | PIN HEADER | BLACK | | |
| | | | 9 | 1 | MINI FUSE, 10A | - | | |
| SEE SHEET 2 OF 2 | 1241768-5 | A | 9 | 1 | MINI FUSE, 10A | - | 1241765-2 1-1355035-1 | |
| | | | 4 | 2 | FUSE CONTACT | TIN | | |
| | | | 3 | 16 | TAB 2.8X0.6 | TIN | | |
| | | | 2 | 24 | MOS PIN | TIN | | |
| | | | 8 | 1 | PIN HEADER | BLACK | | |
| SEE SHEET 2 OF 2 | 1241768-4 | C | 4 | 2 | FUSE CONTACT | TIN | 1241765-2 1-1355035-1 | |
| | | | 3 | 16 | TAB 2.8X0.6 | TIN | | |
| | | | 2 | - | MOS PIN | - | | |
| | | | 7 | 1 | PIN HEADER | BLACK | | |
| | | | 4 | 2 | FUSE CONTACT | TIN | | |
| SEE SHEET 2 OF 2 | 1241768-3 | C | 3 | 16 | TAB 2.8X0.6 | TIN | 1241765-2 1-1355035-1 | |
| | | | 2 | - | MOS PIN | - | | |
| | | | 6 | 1 | PIN HEADER | BLACK | | |
| | | | 4 | 2 | FUSE CONTACT | TIN | | |
| | | | 3 | 16 | TAB 2.8X0.6 | TIN | | |
| SEE SHEET 2 OF 2 | 1241768-2 | C | 4 | 2 | FUSE CONTACT | TIN | 1241765-2 1-1355035-1 | |
| | | | 3 | 16 | TAB 2.8X0.6 | TIN | | |
| | | | 2 | 24 | MOS PIN | TIN | | |
| | | | 5 | 1 | PIN HEADER | BLACK | | |
| | | | 4 | 2 | FUSE CONTACT | TIN | | |
| SEE SHEET 2 OF 2 | 1241768-1 | C | 4 | 2 | FUSE CONTACT | TIN | 1241765-2 1-1355035-1 | |
| | | | 3 | 16 | TAB 2.8X0.6 | TIN | | |
| | | | 2 | 24 | MOS PIN | TIN | | |
| | | | 1 | 1 | PIN HEADER | BLACK | | |
| | | | 1 | 1 | PIN HEADER | BLACK | | |

| | | | | | |
|--|--|--|-------------------------------|--|--|
| THIS DRAWING IS A CONTROLLED DOCUMENT. DIESER ZEICHNUNGSBEFUGNIS WIRD DURCH AMI INCORPORATED KONTROLLIERT. ABERKANNUNG: DIESE ZEICHNUNG FUEHRT KEINEN ANSPRUCH AUF VERWENDUNG IN ANDEREN PROJEKTEN. REVISIONS: 1-1241768-3 hinzugefügt, 1-1241768-7 entfernt. | | OWN: M. Matern CHK: J. Hahn APVD: - | DATE: 29APR99 REV: 30APR99 | TE Connectivity | |
| DIMENSIONS: MASS/EINHEITEN: mm | | TOLERANCES: UNLESS OTHERWISE SPECIFIED: ALL DIMENSIONS | | NAME: Micro Power Quadlok - Micro Quadlok System, PIN HEADER 16+24 POSN. Stiftwanne 16+24-pol. | |
| MATERIAL: PA66-GF30 | | FINISH: POLISHED | | PRODUCT SPEC: PRODUCT SPEZ. DIN 16901-140 ELECTRIC TO: PLC NOMINAL DIM: - | |
| WEIGHT: 21g | | CAGE CODE: 00779 | | DRAWING NO: 1241768 | |
| CUSTOMER DRAWING | | /KUNDENZEICHNUNG | | RESTRICTED TO: NUR FÜR | |

| REVISIONS | | DATE | DWN | APVD |
|-----------|-----|-------------|-----|------|
| P. | LYN | DESCRIPTION | | |
| - | - | SEE SHEET 1 | - | - |

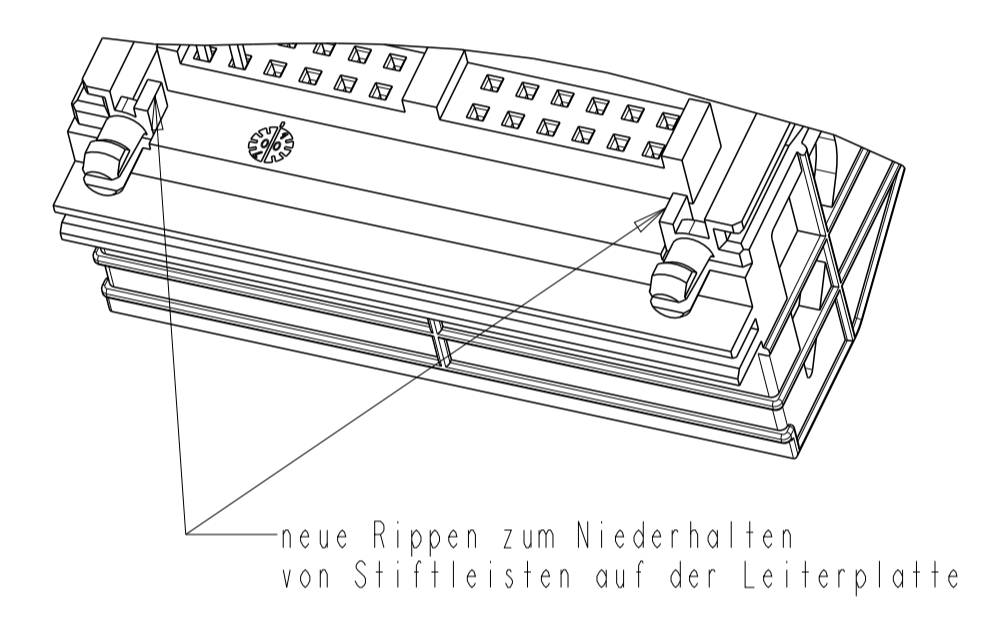
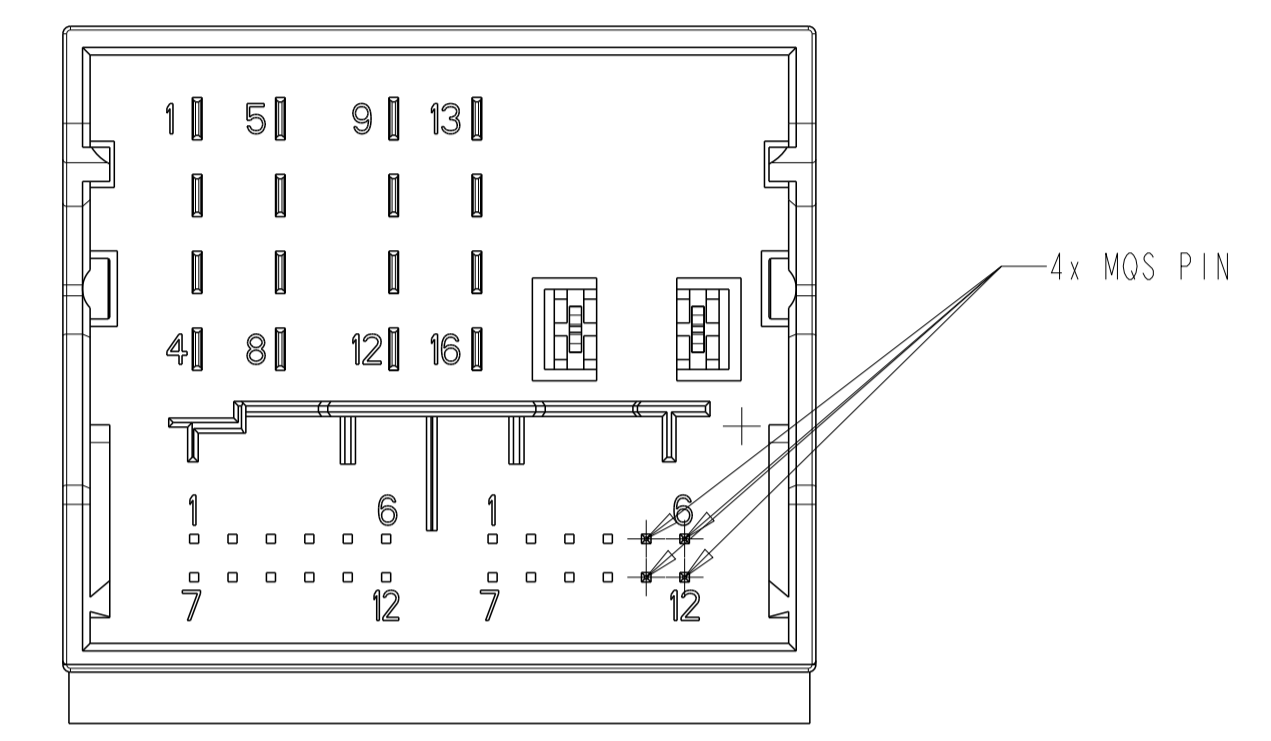
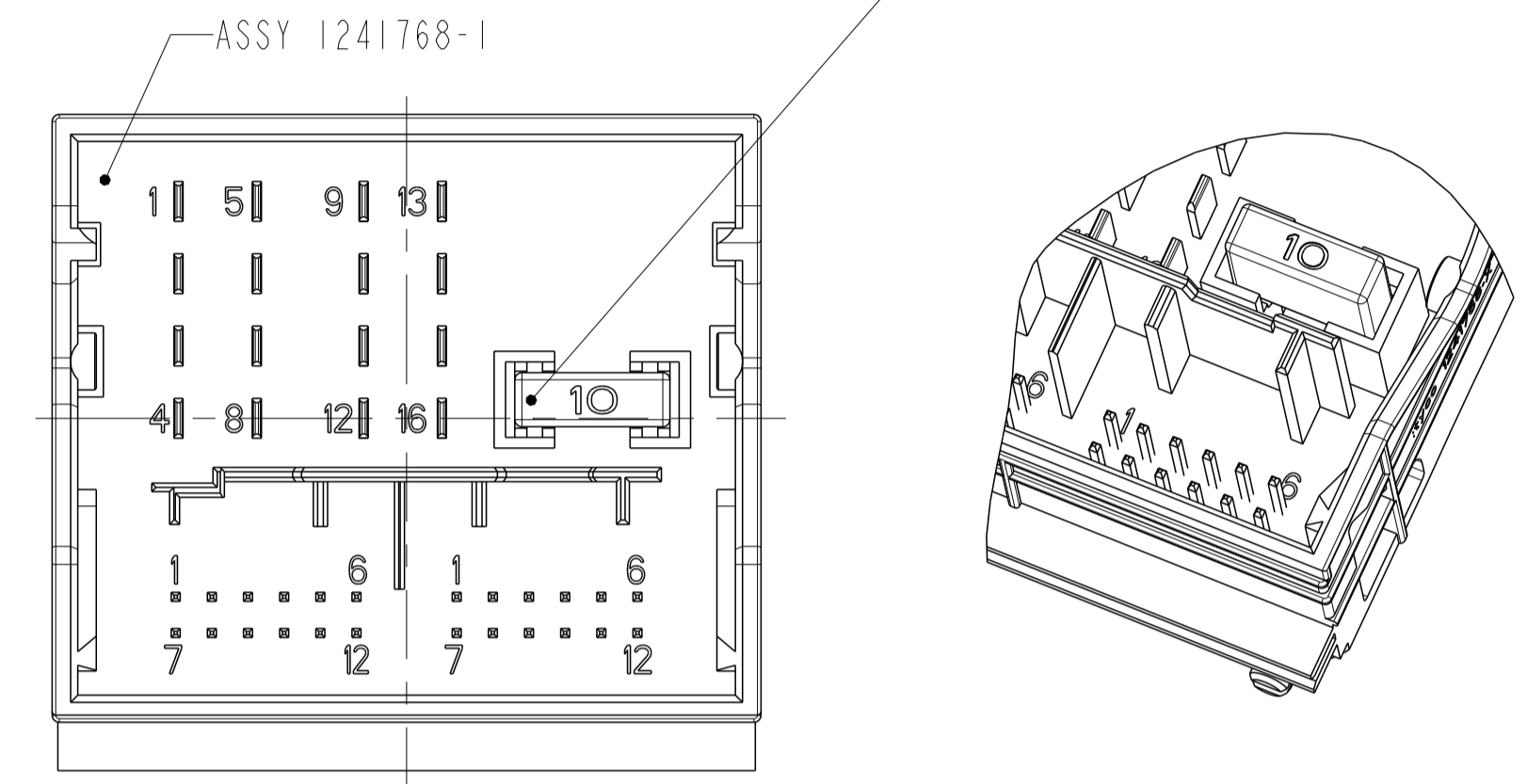
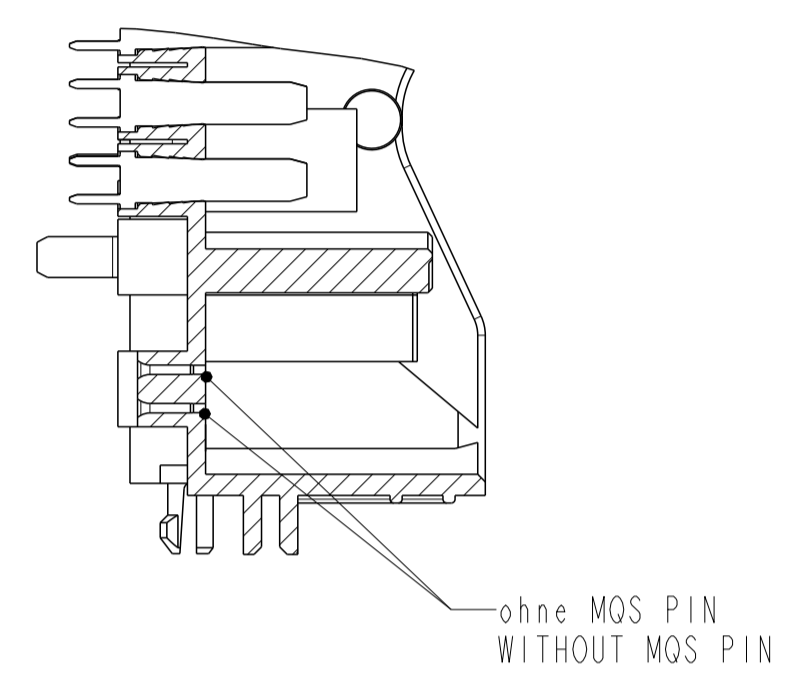
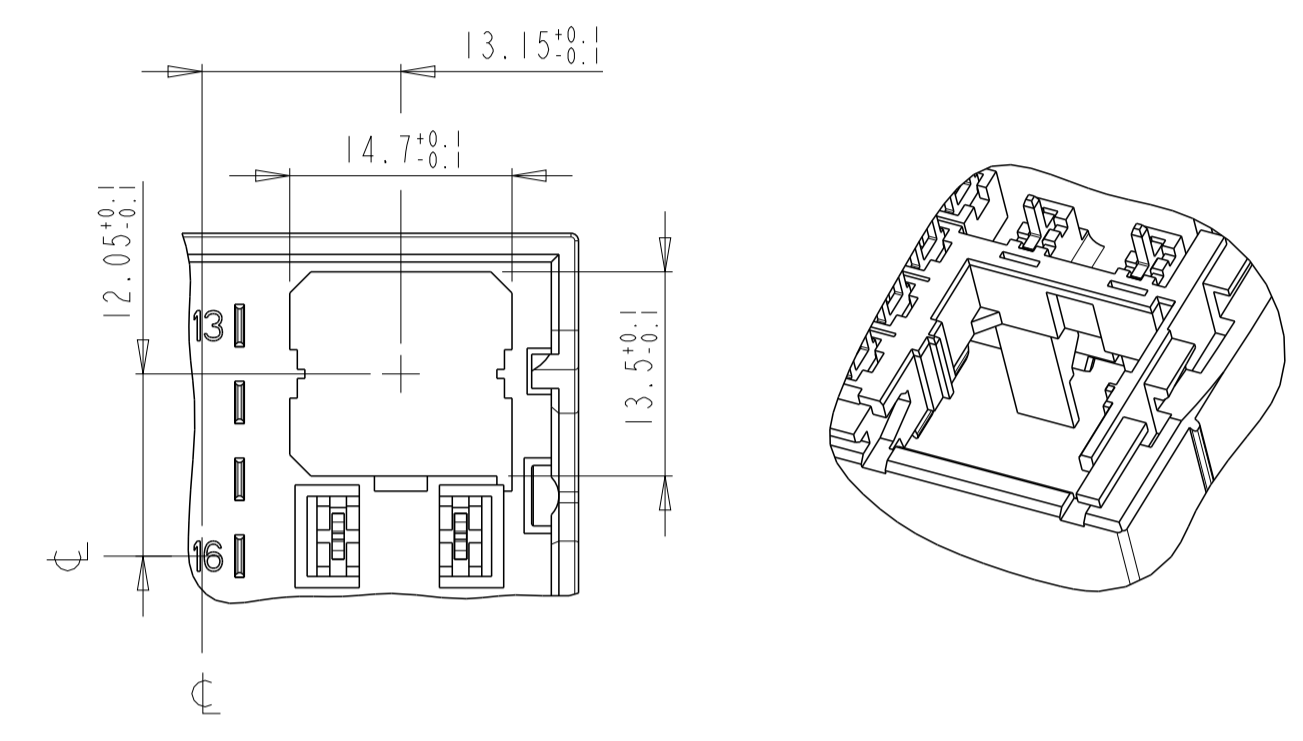
POS. 5
 PART NO. 1241768-2
 PART NO. 1-1241768-2
 PART NO. 1-1241768-3

POS. 6
 PART NO. 1241768-3
 restliche Ausfuehrung wie POS.1

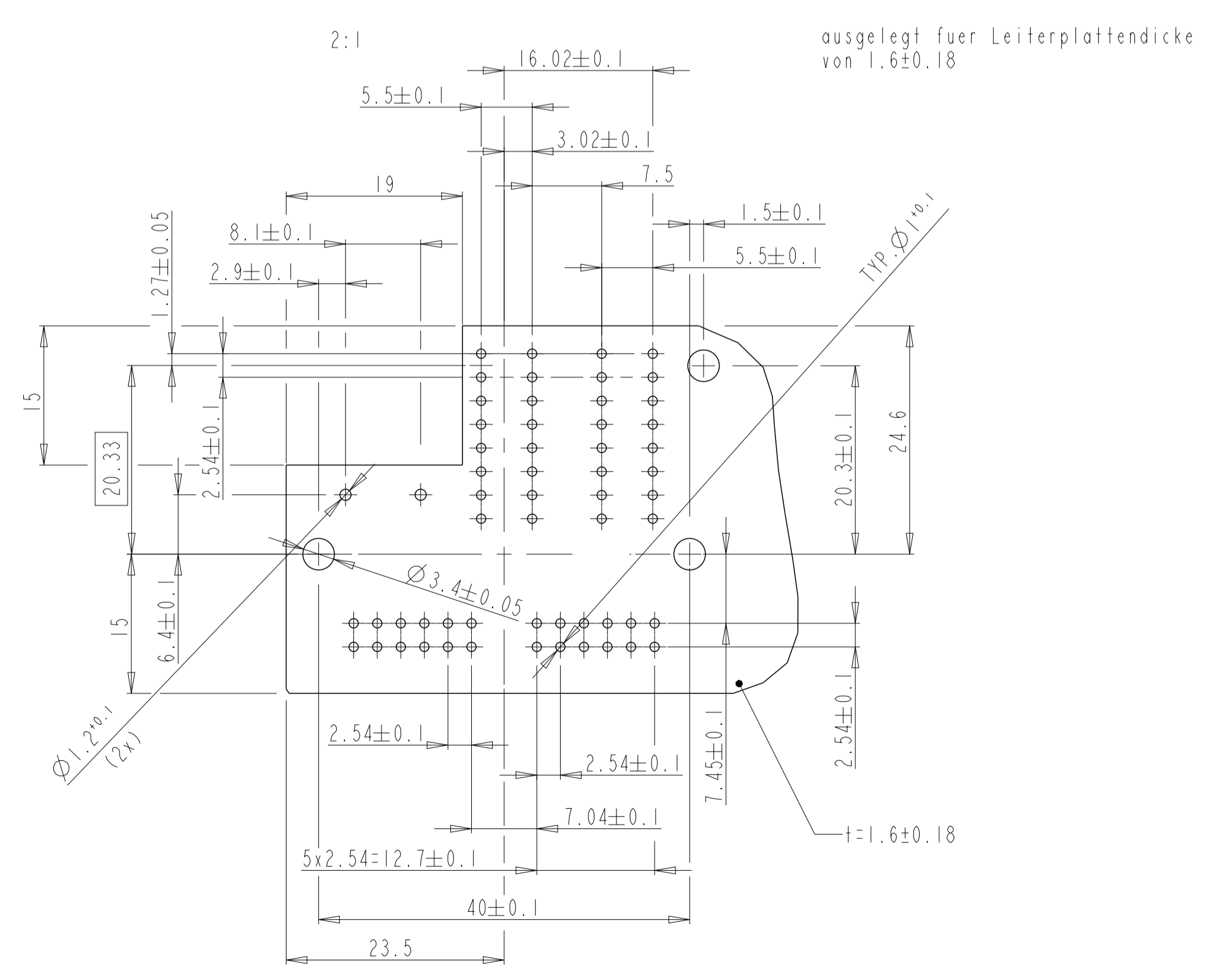
POS. 7
 PART NO. 1241768-4
 restliche Ausfuehrung wie POS.5

POS. 8
 PART NO. 1241768-5
 restliche Ausfuehrung wie POS.1

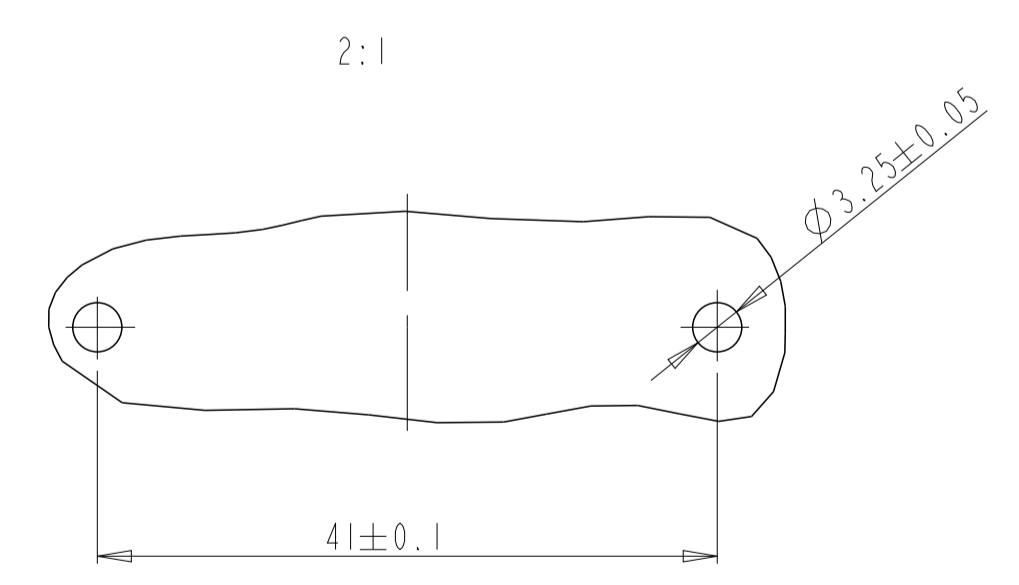
POS. 10
 PART NO. 1241768-7
 restliche Ausfuehrung wie POS.1



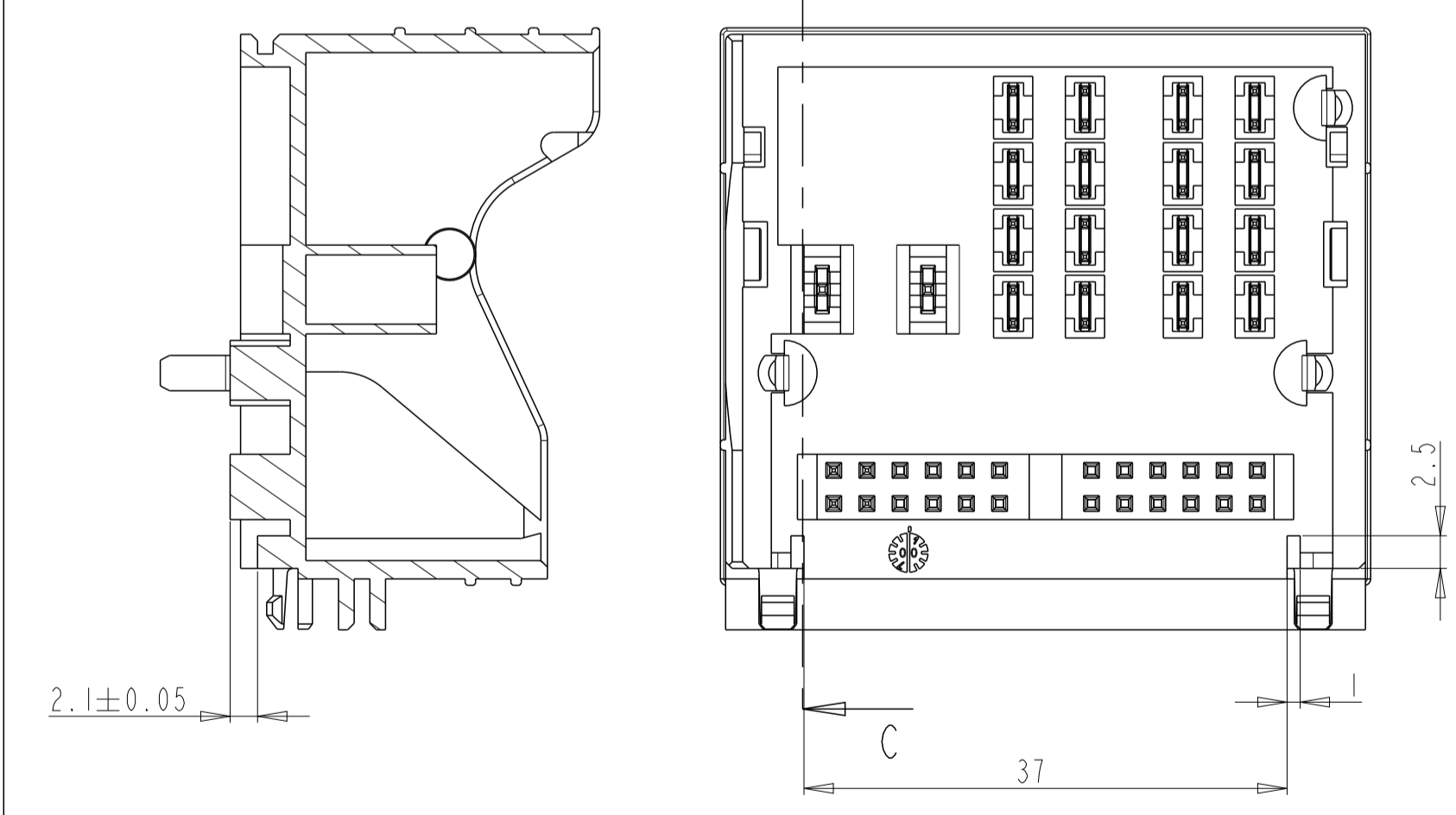
Empfohlenes Lochbild fuer Leiterplatte (Loetseite)
 LAYOUT FOR PCB (SOLDER SIDE)



Empfohlenes Lochbild fuer Boardlocks
 RECOMMENDED LAYOUT FOR BOARDLOCKS



C-C



| | | | |
|---|--|--|--|
| THIS DRAWING IS A CONTROLLED DOCUMENT. | | DWN: M. Matern 29APR99 | TE Connectivity |
| DIESES ZEICHNUNGSSTÜCK WURDE DURCH UNS KONTROLLIERT. ANSCHLIESSENDE VERÄNDERUNGEN SIND UNTERSCHRIEBEN. THIS DRAWING HAS BEEN CHECKED BY US. ANY CHANGES THEREAFTER ARE INITIALED AND SIGNED. | | CHK: J. Hahn 30APR99 | |
| DIMENSIONS: MASS/EINHEITEN: mm TOLERANCES: UNLESS OTHERWISE SPECIFIED: ALL GENERAL UNLESS OTHERWISE SPECIFIED: | | APVD: - | NAME: Micro Power Quadlok - Micro Quadlok System, PIN HEADER 16+24 POSN. Stiftwanne 16+24-pol. |
| MATERIAL: FINISH/OBERFLÄCHE/FARBEN: | | PRODUCT SPEC: PLC # DIN 16901-140 APPLICATION SPEC: # CENTRIC TO # NOMINAL DIM WEIGHT: 21g | SIZE: A1 CAGE CODE: 00779 DRAWING NO.: 1241768 SCALE: 2:1 SHEET: 2 OF 2 |
| CUSTOMER DRAWING | | /KUNDENZEICHNUNG | RESTRICTED TO NUR FÜR |