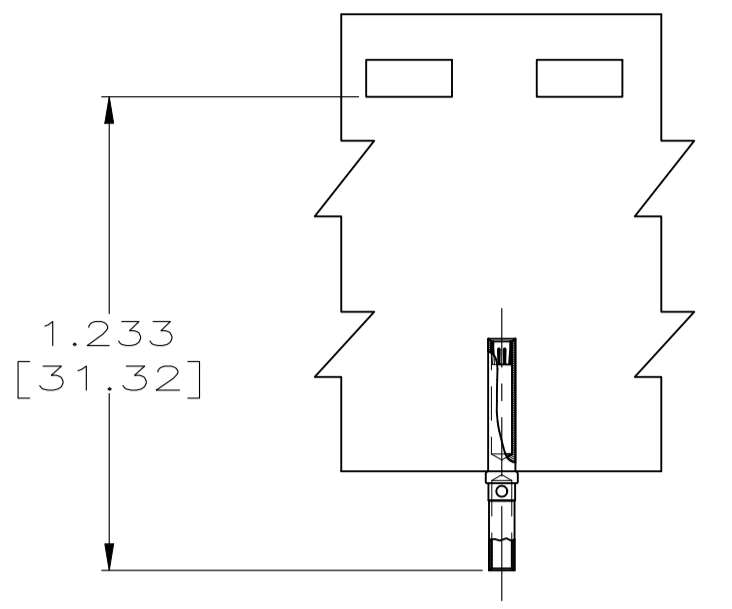
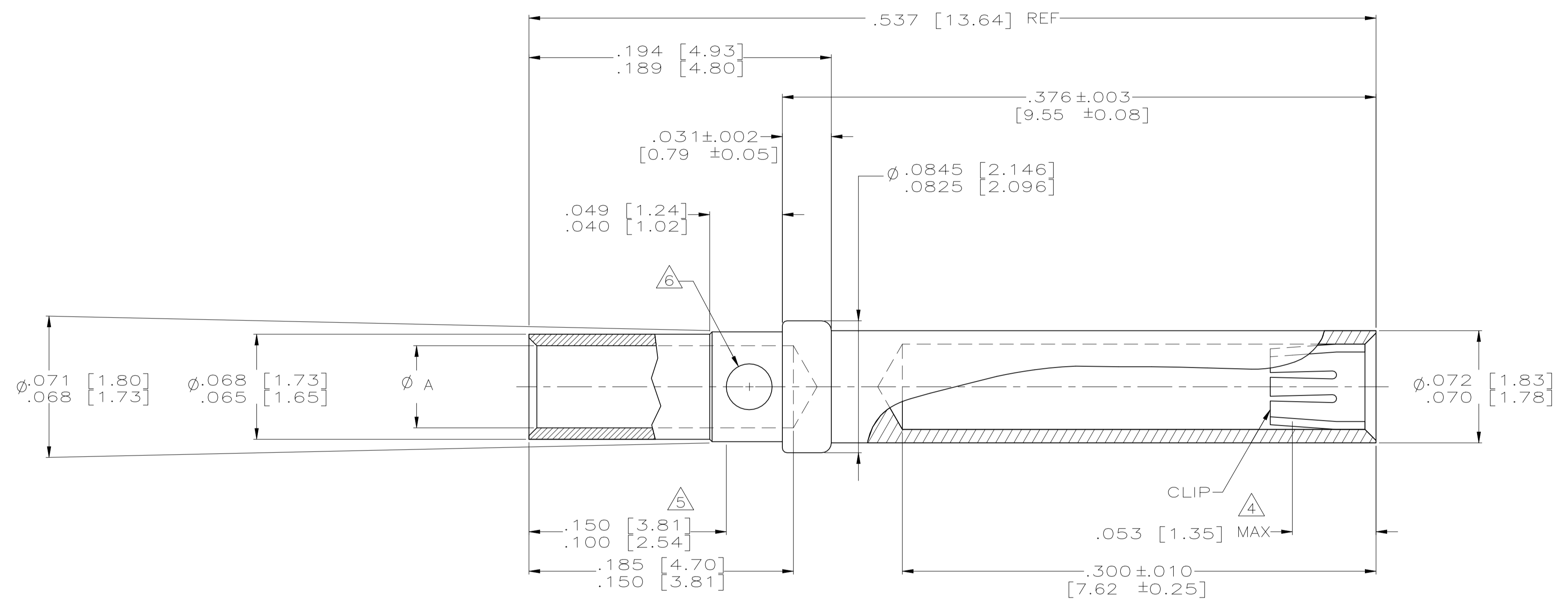


REVISIONS					
P	LTR	DESCRIPTION	DATE	DMN	APVD
E		REVISED PER ECO 20-014632	1-21-21	CT	DM



1218267-2 & -4
SCALE 2:1

- 1 MATERIAL:
BODY: COPPER ALLOY
CLIP: BERYLLIUM COPPER ASTM B 194,
OR AMP ENGINEERING APPROVED EQUIVALENT.
- 2 FINISH:
BODY: GOLD PLATE .000010 [0.25µm] MIN THICK ON CONTACT BODY AS PER ASTM-B-488
OVER NICKEL PLATE .000050 [1.27µm] MIN THICK COATED PER ASTM-B-571.
CLIP: GOLD PLATE .000050 [1.27µm] MIN THICK COATED PER ASTM-B-488
OVER NICKEL PLATE .000100 [2.54µm] MIN THICK COATED PER ASTM-B-571.
- 3. ALL DIMENSIONS SHOWN AFTER PLATING.
- 4 POINT WHICH A .039 DIAMETER SQUARE ENDED PIN FIRST
ENGAGES CLIP TINES.
- 5 POINT OF PLATING THICKNESS MEASUREMENT.
- 6 INSPECTION HOLE THRU ONE WALL ONLY
RADIAL LOCATION OPTIONAL.



LOOSE PIECE 26-28 AWG WIRE	.024-.026 [0.61-0.66]	△	△	1218267-5
TAPE MOUNTED 20-24 AWG WIRE	.043-.046 [1.09-1.17]	△	△	1218267-4
LOOSE PIECE 20-24 AWG WIRE	.043-.046 [1.09-1.17]	△	△	1218267-3
TAPE MOUNTED 18 AWG WIRE	.051-.053 [1.30-1.35]	△	△	1218267-2
LOOSE PIECE 18 AWG WIRE	.051-.053 [1.30-1.35]	△	△	1218267-1
REMARKS	DIM A	FINISH	MATERIAL	PART NUMBER

THIS DRAWING IS A CONTROLLED DOCUMENT.

DIMENSIONS: INCHES	TOLERANCES UNLESS OTHERWISE SPECIFIED:	DIN P BRANDBERG 08 APR 98	APVD G. GRIFFITH 04 DEC 98	NAME
0 PLC ± -	1 PLC ± -	2 PLC ± -	3 PLC ± .005 [0.13]	4 PLC ± -
ANGLES ± 2°				

TE Connectivity

CONTACT, SOCKET, CRIMP TYPE, AMPLIMITE

WEIGHT 0.000000 A1 00779 C=1218267

CUSTOMER DRAWING SCALE 20:1 SHEET 1 of 1 REV E