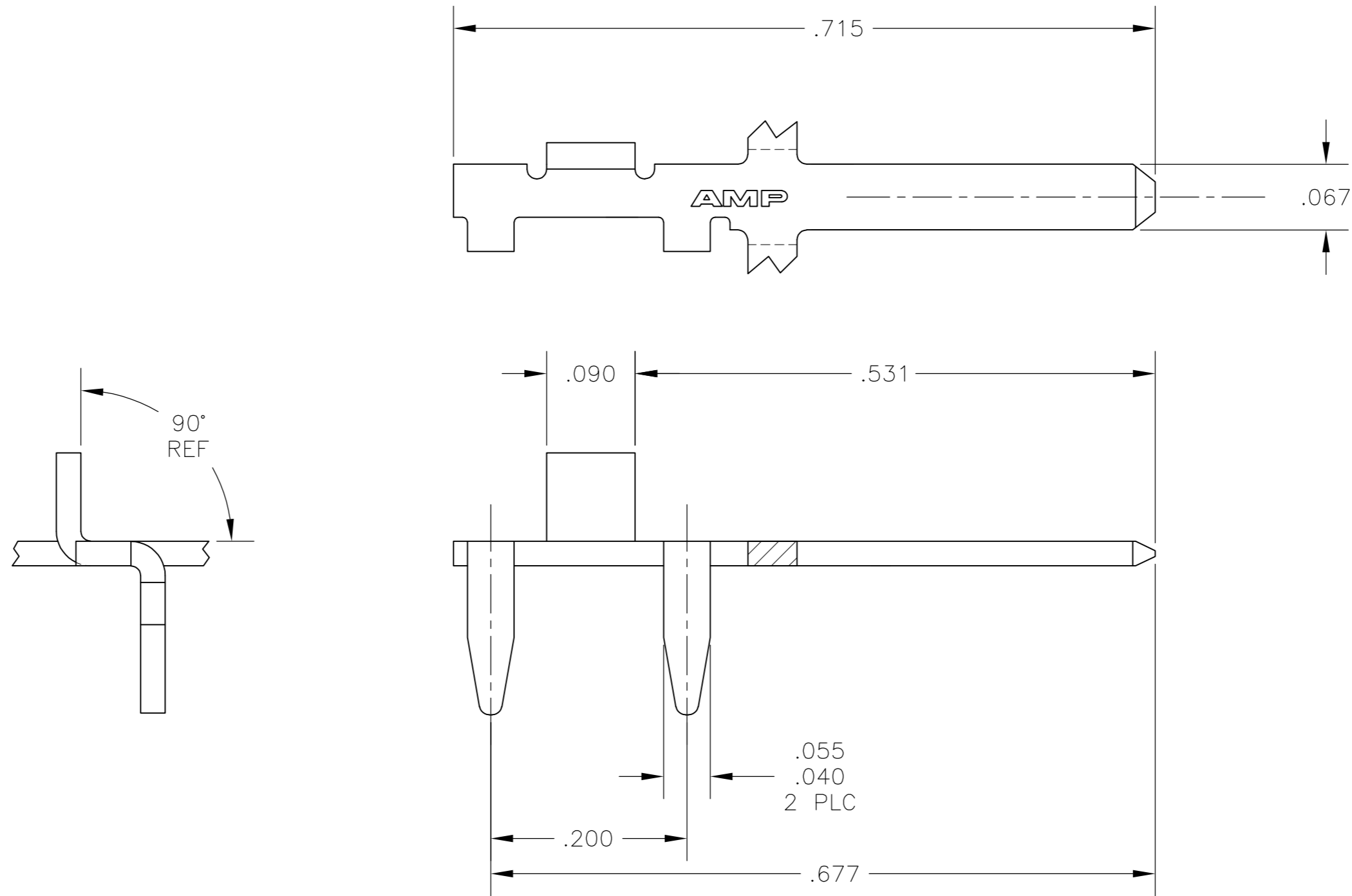


THIS DRAWING IS UNPUBLISHED. RELEASED FOR PUBLICATION
 © COPYRIGHT - By - ALL RIGHTS RESERVED.

| REVISIONS | | | | |
|-----------|-----|---------------------------|-----------|-------|
| P | LTR | DESCRIPTION | DATE | APVD |
| C1 | | REVISED PER ECR-17-000551 | 16JAN2017 | RS TD |

1.CONTINUS STRIP ON REELS



| | | | |
|----------|-------------------------|----------|-------------|
| OBSOLETE | - | BRASS | 1217183-2 |
| | TIN OVER NICKEL PLATING | BRASS | 1217183-1 |
| | FINISH | MATERIAL | PART NUMBER |

| | | | | | | | | | |
|--|--|--------------|----------|-----------|--------|------------------|-----------|------------|---------------|
| THIS DRAWING IS A CONTROLLED DOCUMENT. | | DWN | RAVI S | 17NOV2016 | | TE Connectivity | | | |
| DIMENSIONS: INCHES | | CHK | LI DAISY | 17NOV2016 | | NAME | | | |
| | | APVD | DING TIM | 17NOV2016 | | TAB,SPECIAL | | | |
| TOLERANCES UNLESS OTHERWISE SPECIFIED: | | PRODUCT SPEC | | | | APPLICATION SPEC | | | |
| MATERIAL | | FINISH | | | WEIGHT | SIZE | CAGE CODE | DRAWING NO | RESTRICTED TO |
| - | | - | | | - | A2 | 00779 | C=1217183 | - |
| CUSTOMER DRAWING | | | | | SCALE | 8:1 | SHEET | 1 of 1 | REV |
| | | | | | | | | | C1 |

1217183