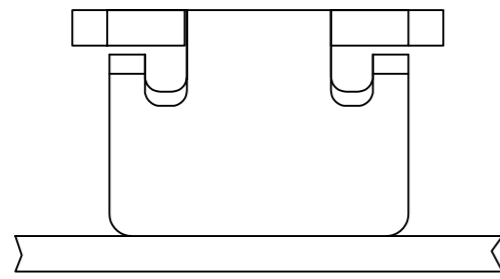


THIS DRAWING IS UNPUBLISHED. RELEASED FOR PUBLICATION  
 © COPYRIGHT - By - ALL RIGHTS RESERVED.

LOC		DIST		REVISIONS			
P	LTR	DESCRIPTION		DATE	DWN	APVD	
AF	50	E2		REVISED PER ECR-18-006427	15MAY2018	BW	SV

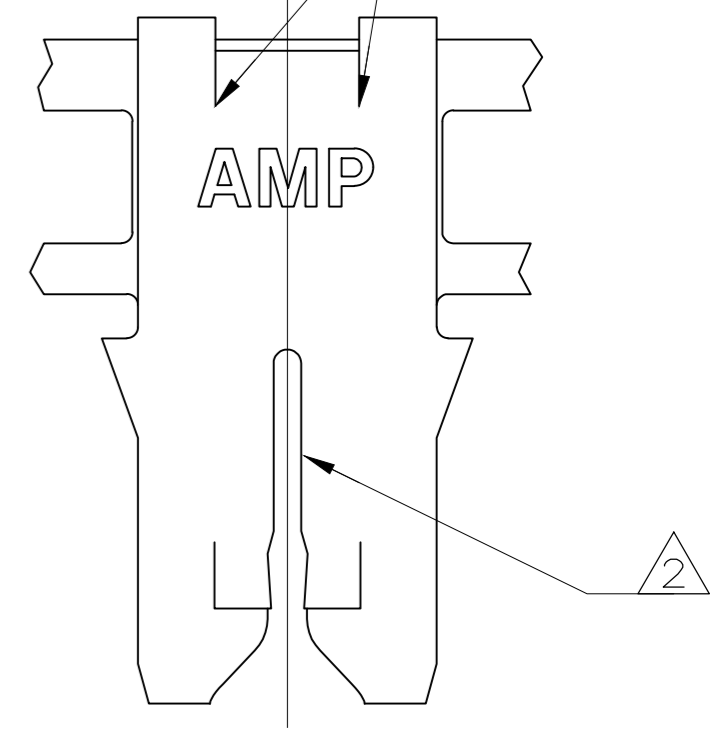
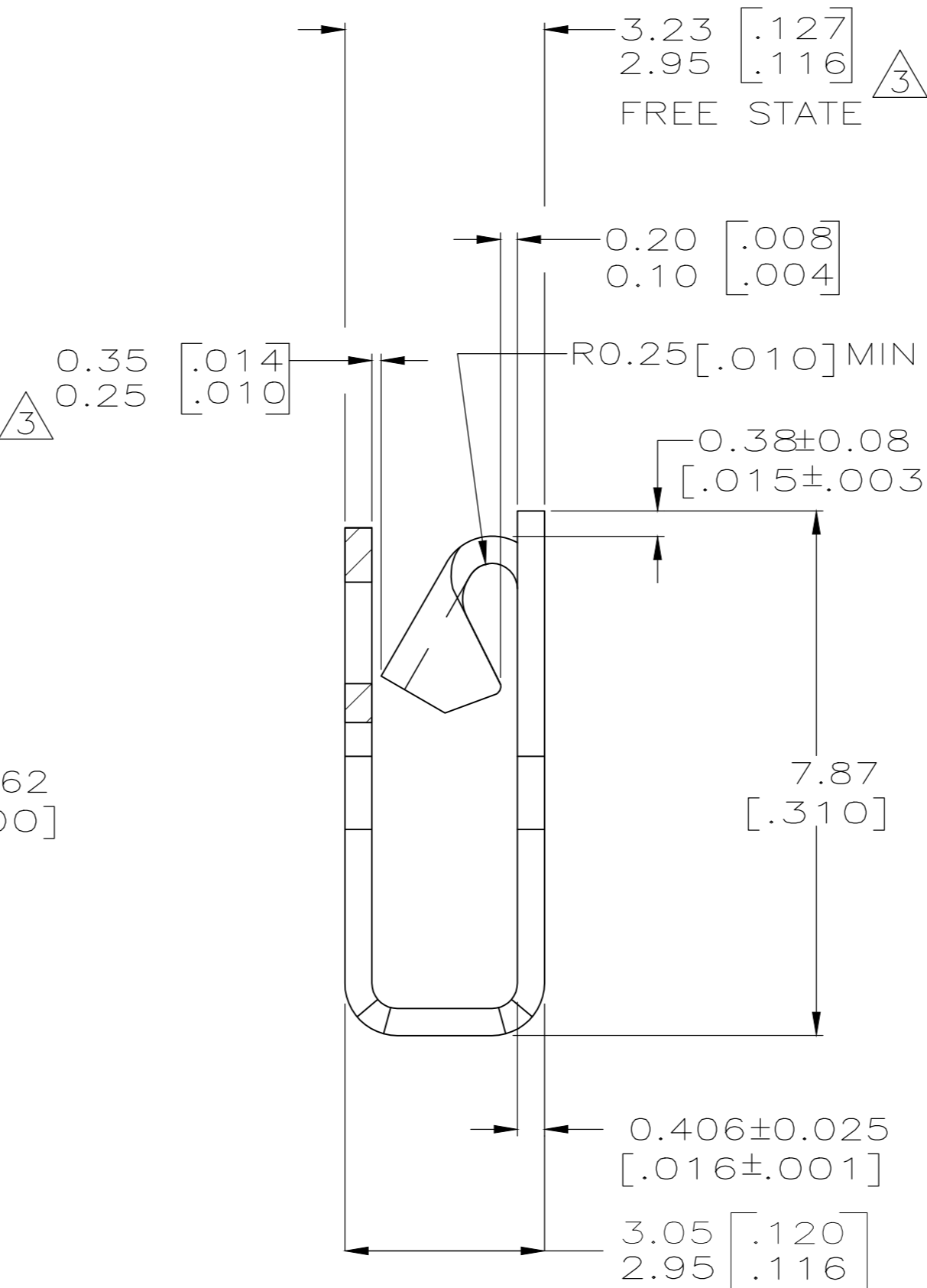
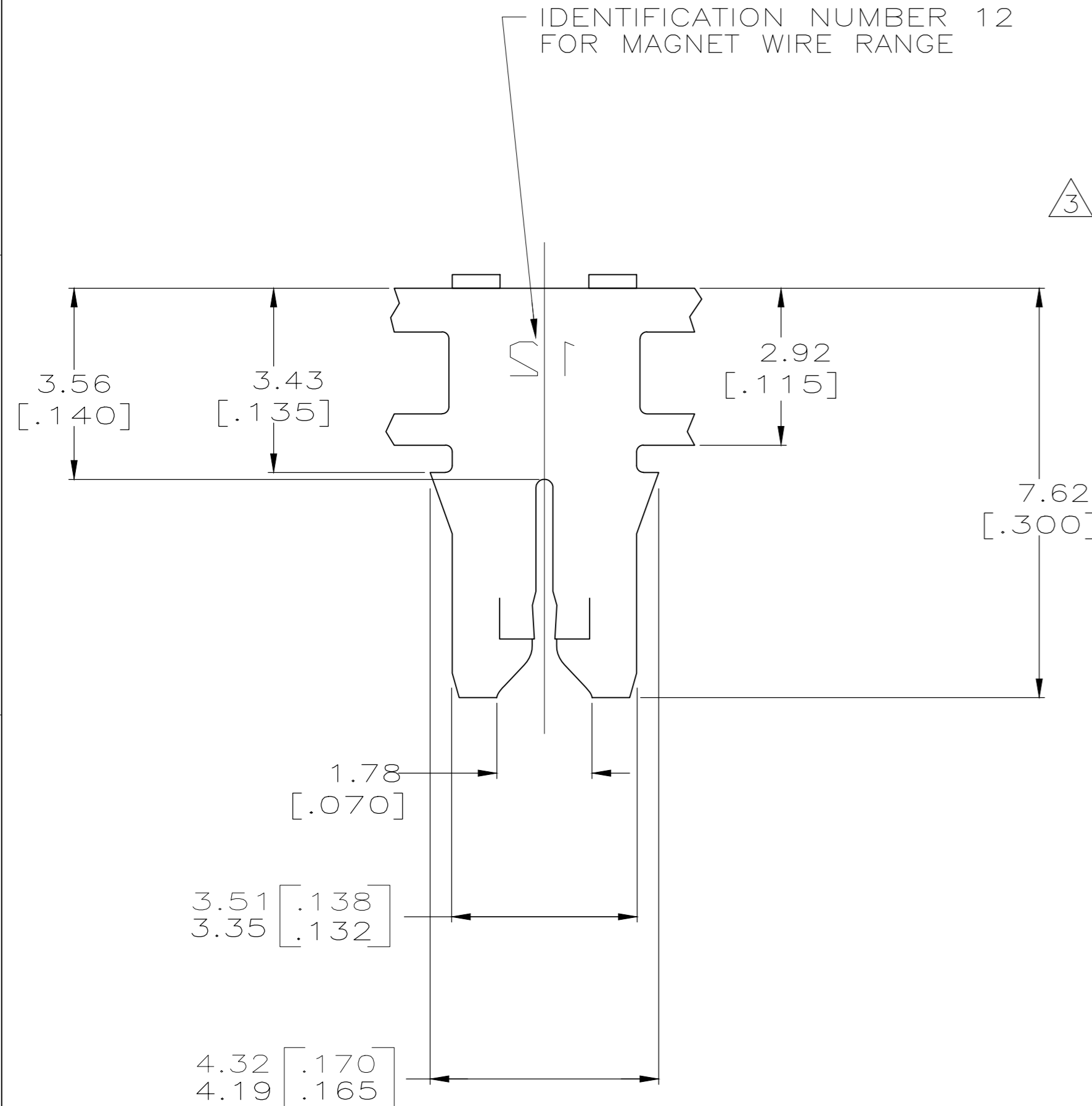


- 1 CONTINUOUS STRIP ON REELS (NO SPLICES) WITH TERMINALS LOCATED ON 5.59±0.08 [.220±.003] CENTERS.
- 2 SLOT ACCEPTS 0.45-0.64mm [#25-#22] AWG COPPER MAGNET WIRE. SINGLE OR DOUBLE WIRE OF THE SAME SIZE AND TYPE. EXCEPT 0.64mm [#22] AWG WHICH IS FOR ONE WIRE ONLY.  
0.57-0.72mm[#23-#21] AWG ALUMINIUM SINGLE MAGNET WIRE ONLY.  
ALUMINIUM WIRE RANGE IS APPLICABLE FOR POST TIN PLATED PART NOS ONLY.
- 3 GAGING: GO, 0.28 [.011] NO/GO, 0.38 [.015]. FREE STATE AND GAP AT CARRIER SIDE TO BE MAINTAINED PER CHART PROVIDED.

FREE STATE		CARRIER GAP	
2.95-3.12	[.116-.123]	0.25-0.35	[.010-.014]
3.15	[.124]	0.28-0.35	[.011-.014]
3.18	[.125]	0.30-0.35	[.012-.014]
3.20	[.126]	0.33-0.35	[.013-.014]
3.23	[.127]	0.35	[.014]

CARRIER SIDE GAP 0.25-0.35 [.010-.014] TO BE CHECKED WHEN FREE STATE IS COMPRESSED TO 3.12 [.123].

- 4 NO CRACKS OR TEARS PERMISSIBLE ALONG SHEAR AND BEND LINE
- 5 SPECIAL BLACK COLORED CARDBOARD REELS
- 6 PRELIMINARY - NOT FOR PRODUCTION
- 7 REELED ON A PLASTIC REEL



7 STANDARD	1217082-3	E
5 STANDARD	1217082-2	C
STANDARD	1217082-1	E
REELING	PART NUMBER	REV.

THIS DRAWING IS A CONTROLLED DOCUMENT.		DWN MICHAEL S. FEHER 09APR98	TE Connectivity	
DIMENSIONS: mm		CHK JEFF R. RUTH 09APR98		
TOLERANCES UNLESS OTHERWISE SPECIFIED:		APVD KURT A. RANDOLPH 09APR98	NAME	
0 PLC ± -		PRODUCT SPEC	108-2012	
1 PLC ± -		APPLICATION SPEC	114-2046	
2 PLC ± 0.25[.010]		WEIGHT	-	
3 PLC ± -		CUSTOMER DRAWING	SCALE 10:1 SHEET 1 OF 1 REV E2	
4 PLC ± -		FINISH	0.002032 [.000080] MIN. TIN	
ANGLES ± -		SIZE A2 CAGE CODE 00779 DRAWING NO C=1217082 RESTRICTED TO -		