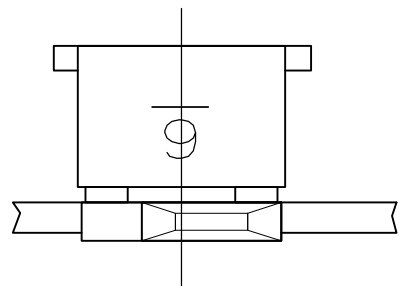
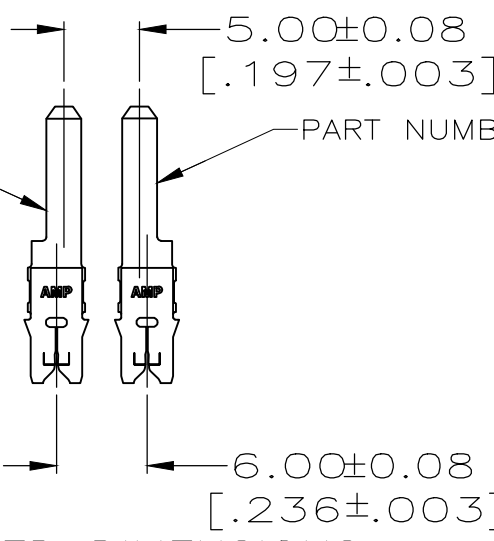


THIS DRAWING IS UNPUBLISHED. RELEASED FOR PUBLICATION
 © COPYRIGHT - By - ALL RIGHTS RESERVED.

LOC		DIST		REVISIONS			
P	LTR	DESCRIPTION	DATE	DWN	APVD		
AF	50						
	D2	REVISED PER ECR-18-006427	10MAY2018	BW	SV		

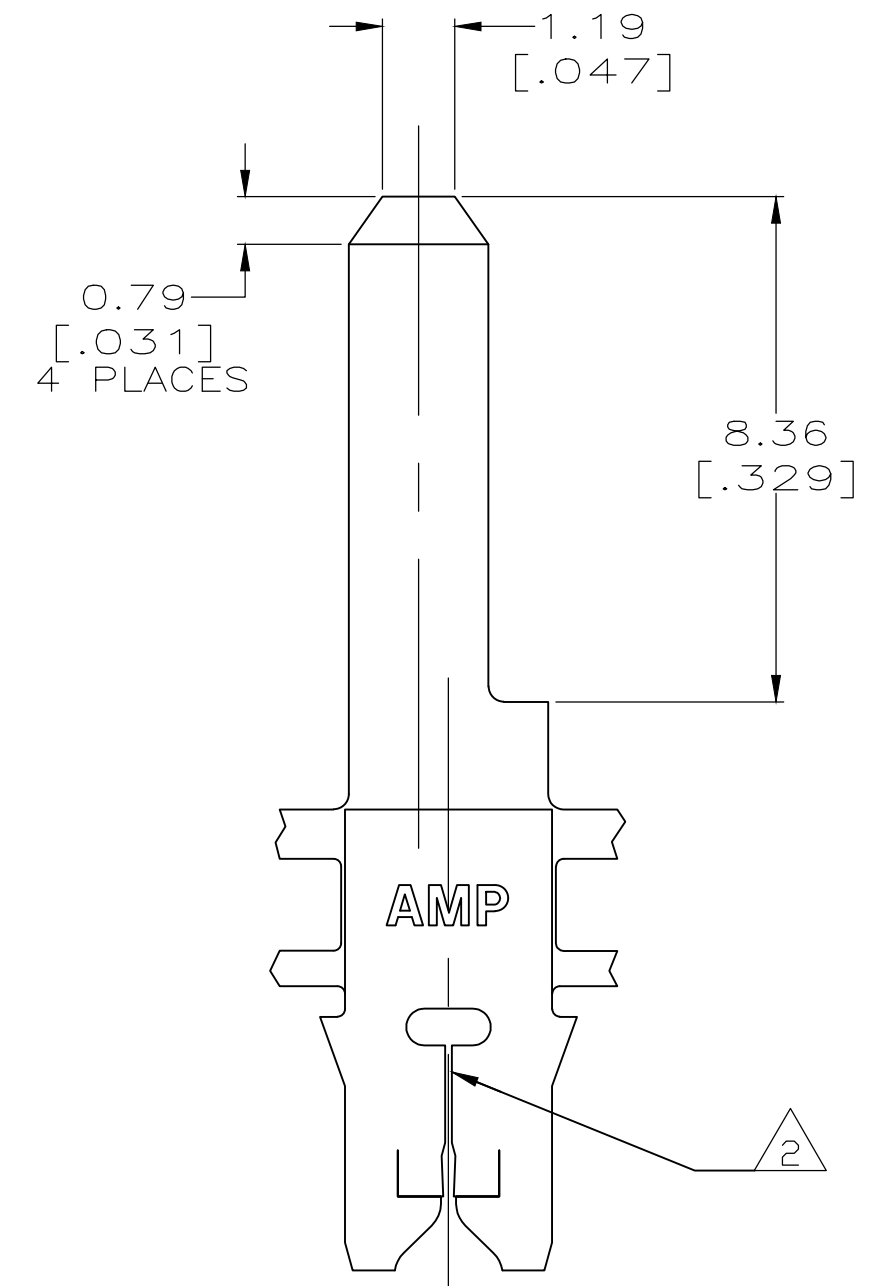
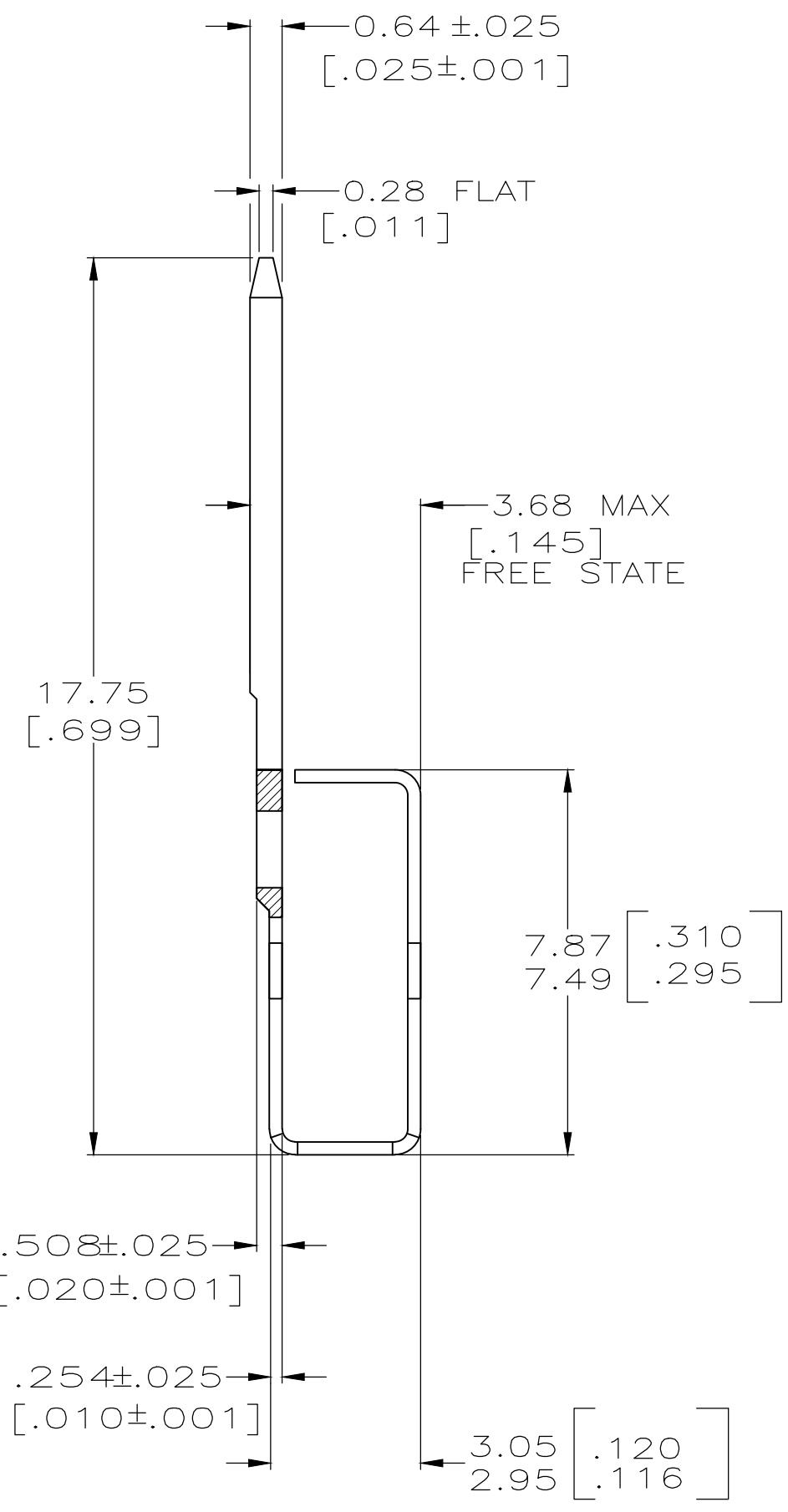
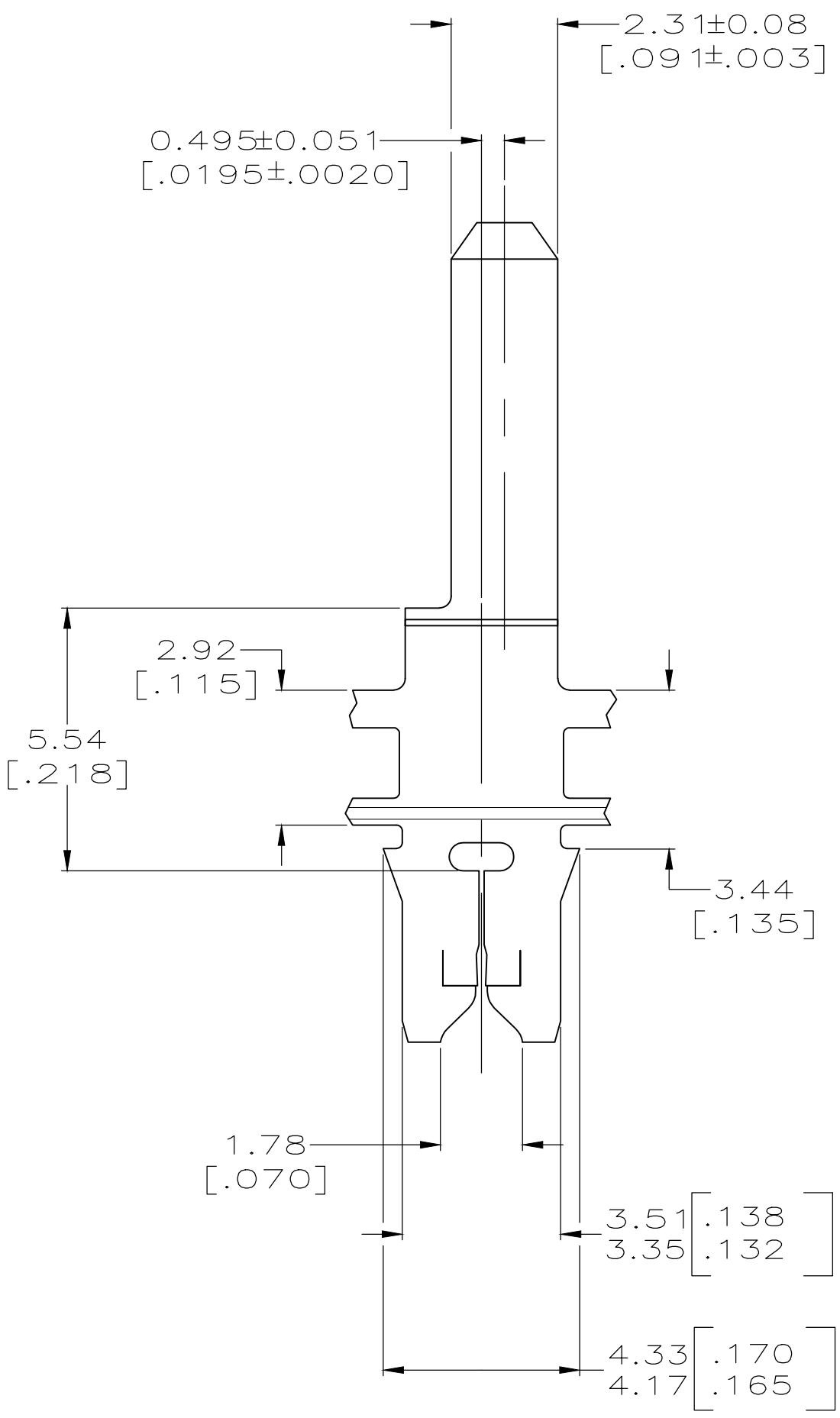


PART NUMBER 1217052-1 PART NUMBER 1217051-1



INSERTED DIMENSIONS
SCALE 2:1

- 1 CONTINUOUS STRIP ON REELS WITH TERMINALS LOCATED ON 5.59±0.08 [.220±.003] CENTERS
- 2 SLOT TERMINATES EITHER A SINGLE OR DOUBLE MAGNET WIRE OF THE SAME TYPE AND SIZE, COPPER RANGE: 0.25-0.36mm [#30-#27] AWG. ALUMINIUM RANGE: 0.32-0.45mm [#28-#25] AWG. ALUMINIUM WIRE RANGE IS APPLICABLE FOR POST TIN PLATED PART NOS ONLY
- 3 SPECIAL PACKAGE MARKINGS- ORANGE COLOR CODE TAG NEXT TO REEL TAG



1217051-1
PART NUMBER

THIS DRAWING IS A CONTROLLED DOCUMENT.		DWN MICHAEL S. FEHER 19JAN98	TE Connectivity																			
DIMENSIONS: INCHES		CHK RICHARD GRZYBOWSKI 20JAN98																				
TOLERANCES UNLESS OTHERWISE SPECIFIED:		APVD NELSON E. NEFF 21JAN98	NAME TAB, 2.31 [.091], LEFT HAND, MAG-MATE																			
<table border="1"> <tr><td>0 PLC</td><td>±</td><td>-</td></tr> <tr><td>1 PLC</td><td>±</td><td>-</td></tr> <tr><td>2 PLC</td><td>±</td><td>0.13 [.005]</td></tr> <tr><td>3 PLC</td><td>±</td><td>-</td></tr> <tr><td>4 PLC</td><td>±</td><td>-</td></tr> <tr><td>ANGLES</td><td>±</td><td>-</td></tr> </table>		0 PLC	±	-	1 PLC	±	-	2 PLC	±	0.13 [.005]	3 PLC	±	-	4 PLC	±	-	ANGLES	±	-	PRODUCT SPEC 108-2012	SIZE A2	CAGE CODE 00779
0 PLC	±	-																				
1 PLC	±	-																				
2 PLC	±	0.13 [.005]																				
3 PLC	±	-																				
4 PLC	±	-																				
ANGLES	±	-																				
MATERIAL BRASS	FINISH TIN PLATE	APPLICATION SPEC 114-2046	DRAWING NO C=1217051	RESTRICTED TO -																		
CUSTOMER DRAWING			SCALE 8:1	SHEET 1 of 1																		
				REV D2																		