

THIS DRAWING IS UNPUBLISHED.

RELEASED FOR PUBLICATION

2006

© COPYRIGHT 2006

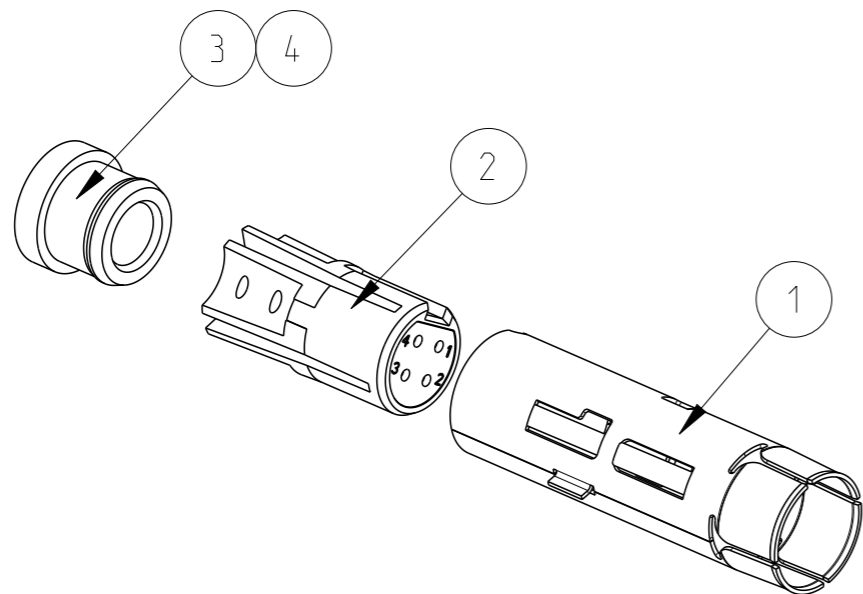
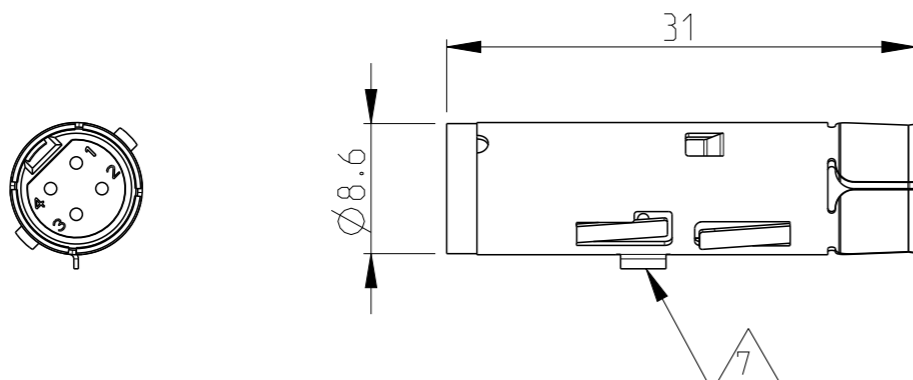
ALL RIGHTS RESERVED.

LOC  
A1

DIST  
-

REVISIONS

P	LTR	DESCRIPTION	DATE	DWN	APVD
D3		ECR-11-009482	09MAY2011	VG	BR
D4		ECR-15-014241	27OCT2015	RK	JB
D5		REV. PER ECR-16-000458	12JAN2016	ER	DO
D6		ITEM 4 EXCHANGED PER PCN E-16-007296	20MAY2016	ER	DO



Notes

- 1 SUITABLE POWER INSERT: SERIES HC26  
CUSTOMER DRAWING: 1103428
- 2 SUITABLE CAT5e CABLE:  
CUSTOMER DRAWING: 1103536
- 3 SUITABLE CRIMP CONTACTS:  
CUSTOMER DRAWING: 1658670
- 4 SUITABLE INSERTION TOOL:  
CUSTOMER DRAWING: 91285
- 5 SUITABLE EXTRACTION TOOL:  
CUSTOMER DRAWING: 91285
- 6 STANDARDS:  
DIN EN 61984, DIN EN 60664-1
- 7 POLARIZATION RIP
- 8 PACKAGING:  
40 SETS IN A CARTON, UNMOUNTED

PN 0--1 AND 0--2 AS SHOWN

QTY	0--1	0--2	DESCRIPTION	MATERIAL	SURFACE/COLOR	NOTE	ITEM
-	1	-	FERRULE	BRASS	SILVER PLATED	SERIES HC26, MALE SHELL	4
-	-	1	FERRULE	BRASS	SILVER PLATED	SERIES HC26, MALE SHELL	3
-	1	1	MALE INSERT ASS'Y			SERIES HC26, 4-POS. 22DF	2
-	1	1	MALE SHELL	COPPER ALLOY	SILVER PLATED	SERIES HC26, 4-POS. 22DF	1

QTY REQD PER ASSY		PARTS LIST					
THIS DRAWING IS A CONTROLLED DOCUMENT.		DWN H.BRAUN 27OCT2008	TE Connectivity  <b>MALE INSERT ASS'Y</b> SERIES HC26, 4-POS. 22DF CIRCULAR HYBRID CONNECTOR				
DIMENSIONS: mm		CHK T.VETTER 27OCT2008					
		APVD T.SCHNURPFEL 27OCT2008					
TOLERANCES UNLESS OTHERWISE SPECIFIED:		PRODUCT SPEC 108-94485					
MATERIAL		APPLICATION SPEC 114-94369	NAME	SIZE	CAGE CODE	DRAWING NO	RESTRICTED TO
FINISH		WEIGHT	Customer Drawing	A3	00779	©=1103426	-
		SCALE	SHEET		OF	REV	
		2:1	1		1	D6	