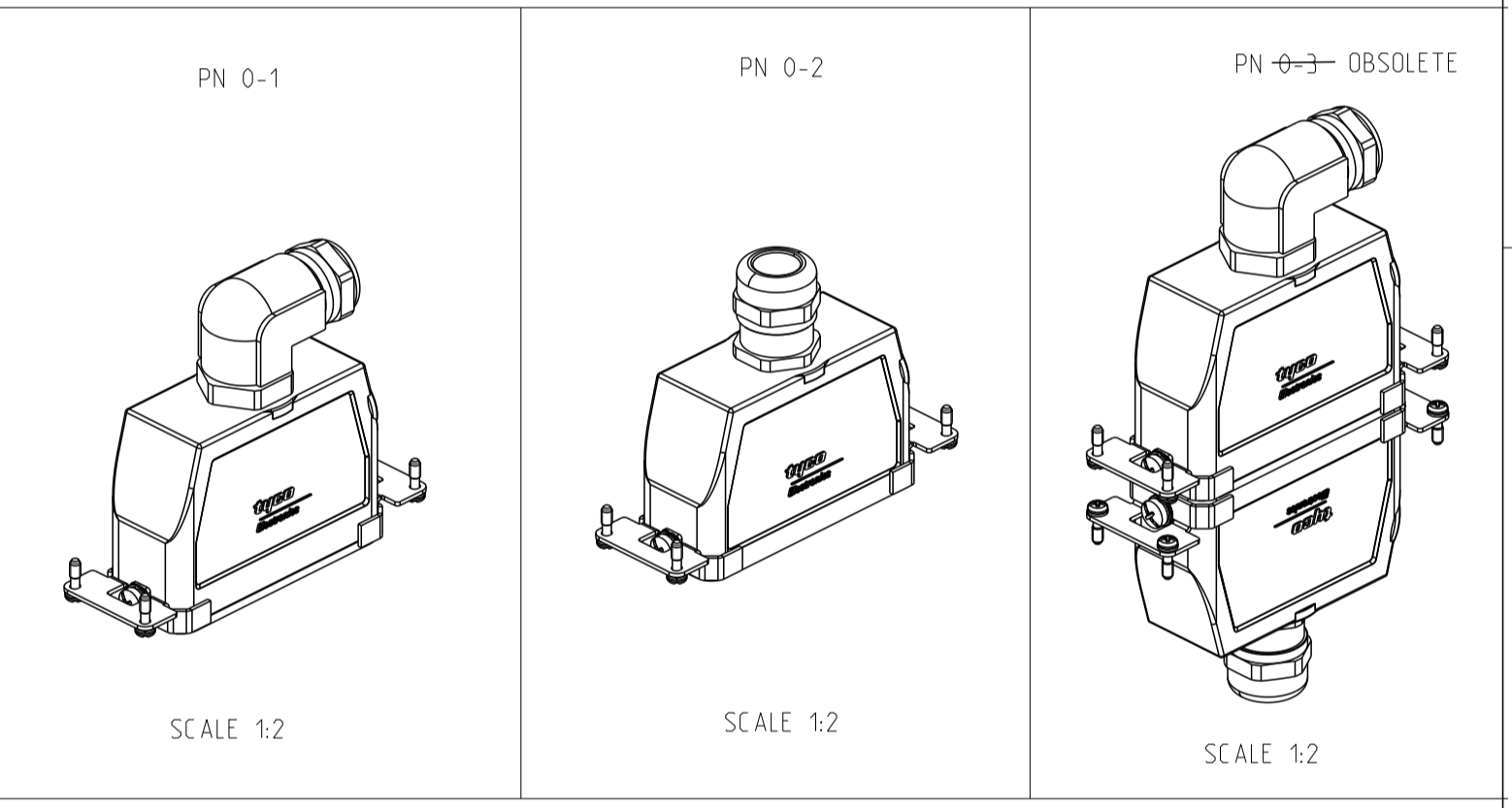
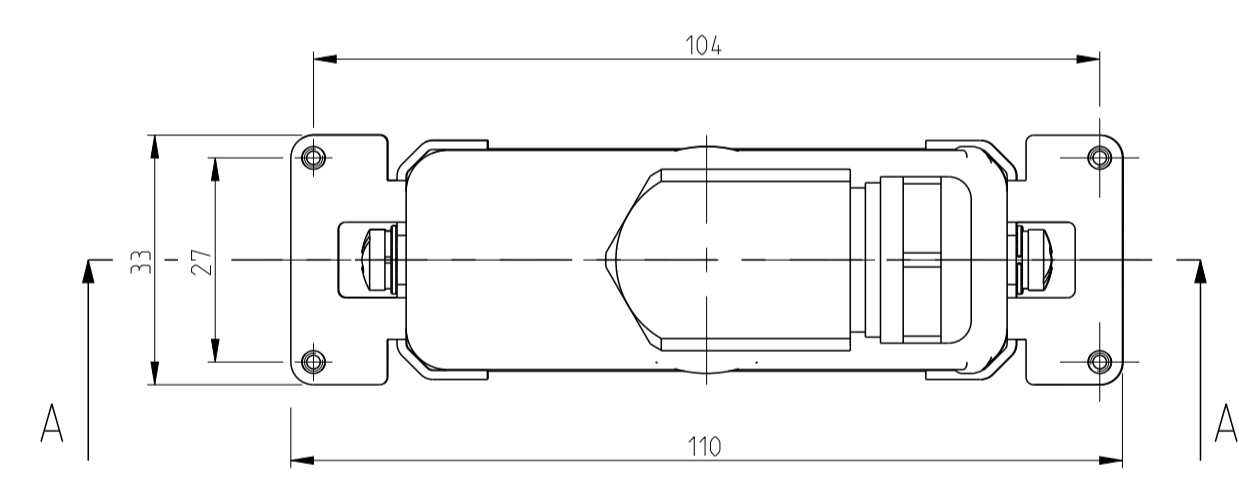
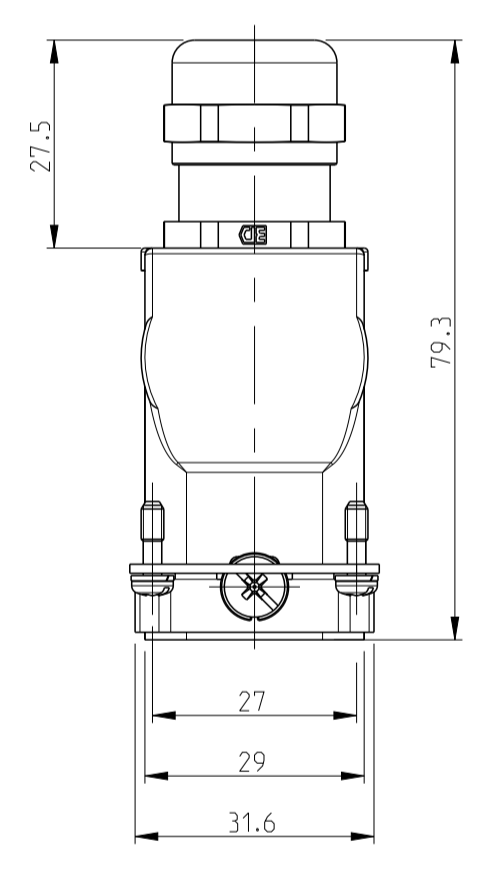
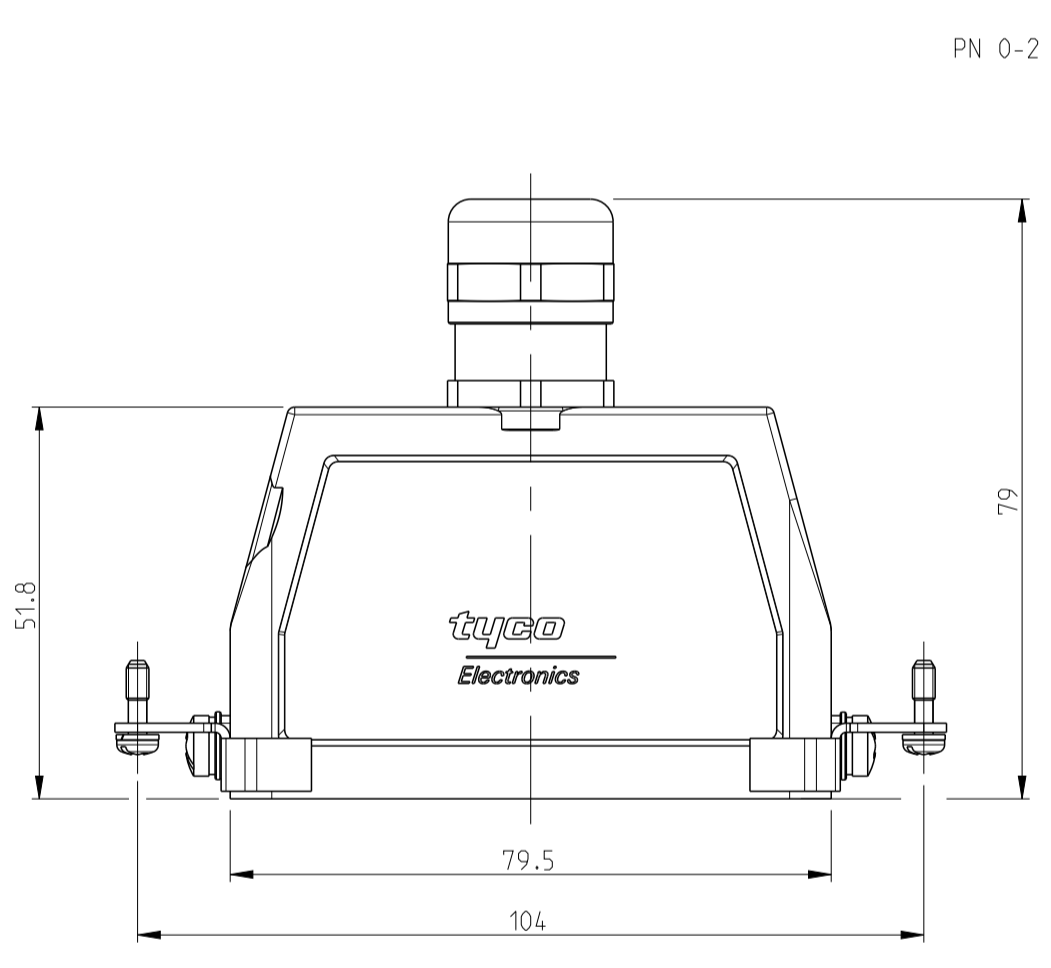
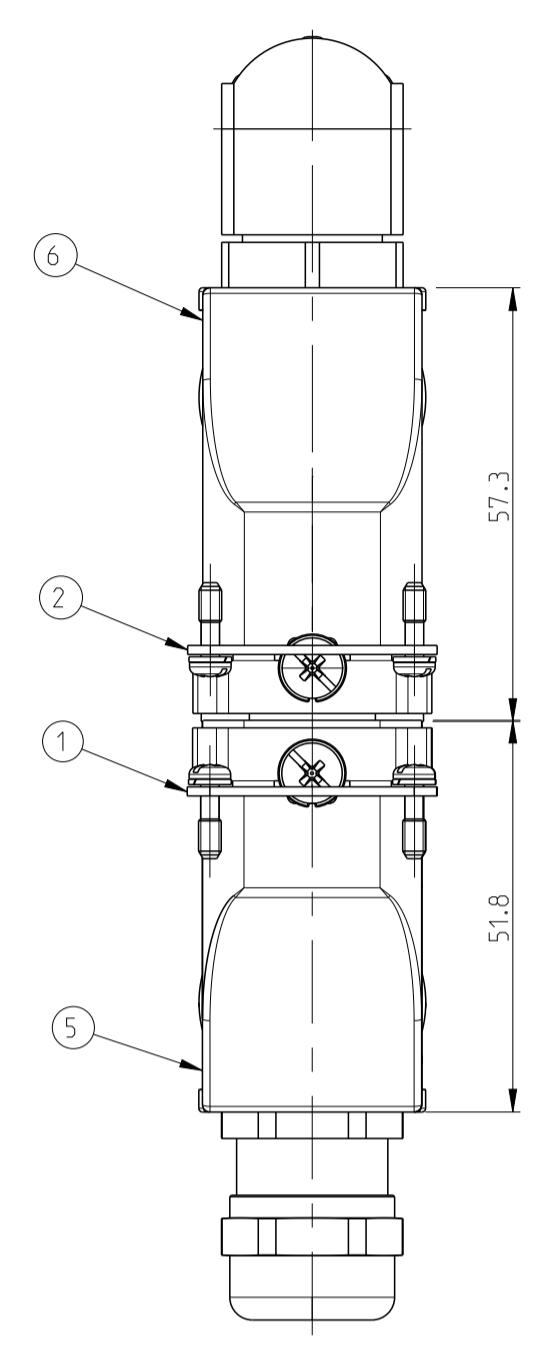
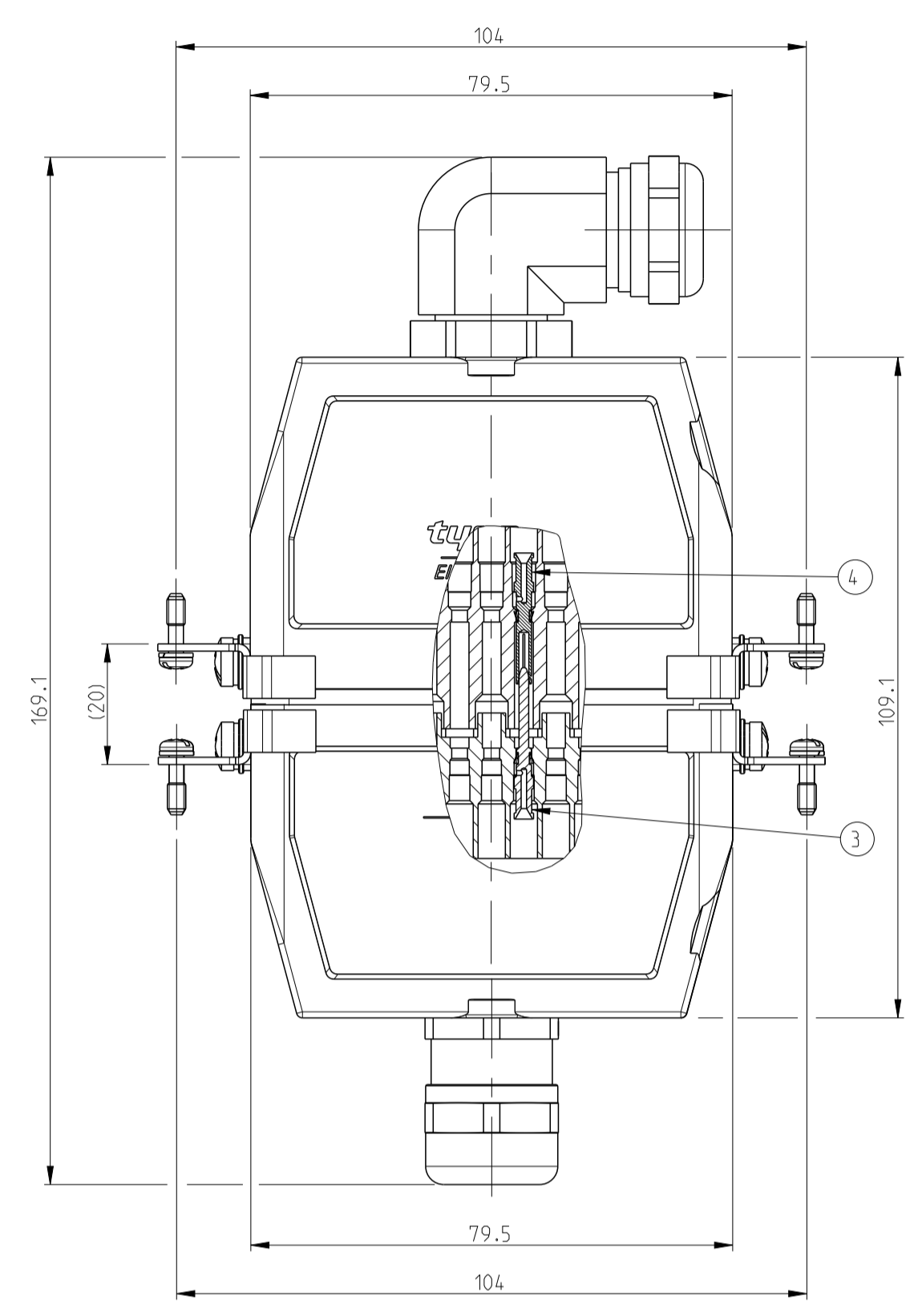
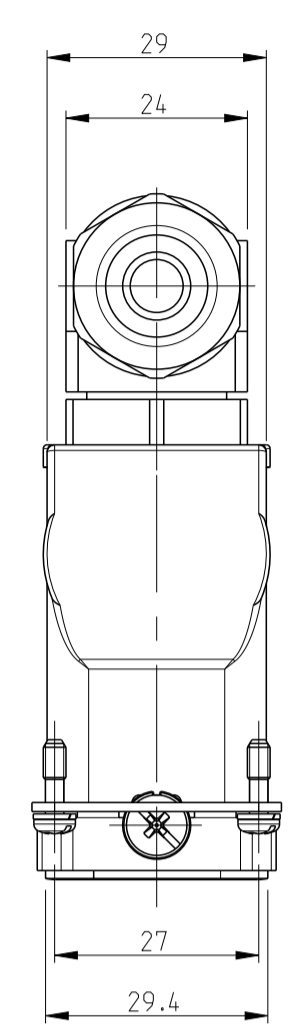
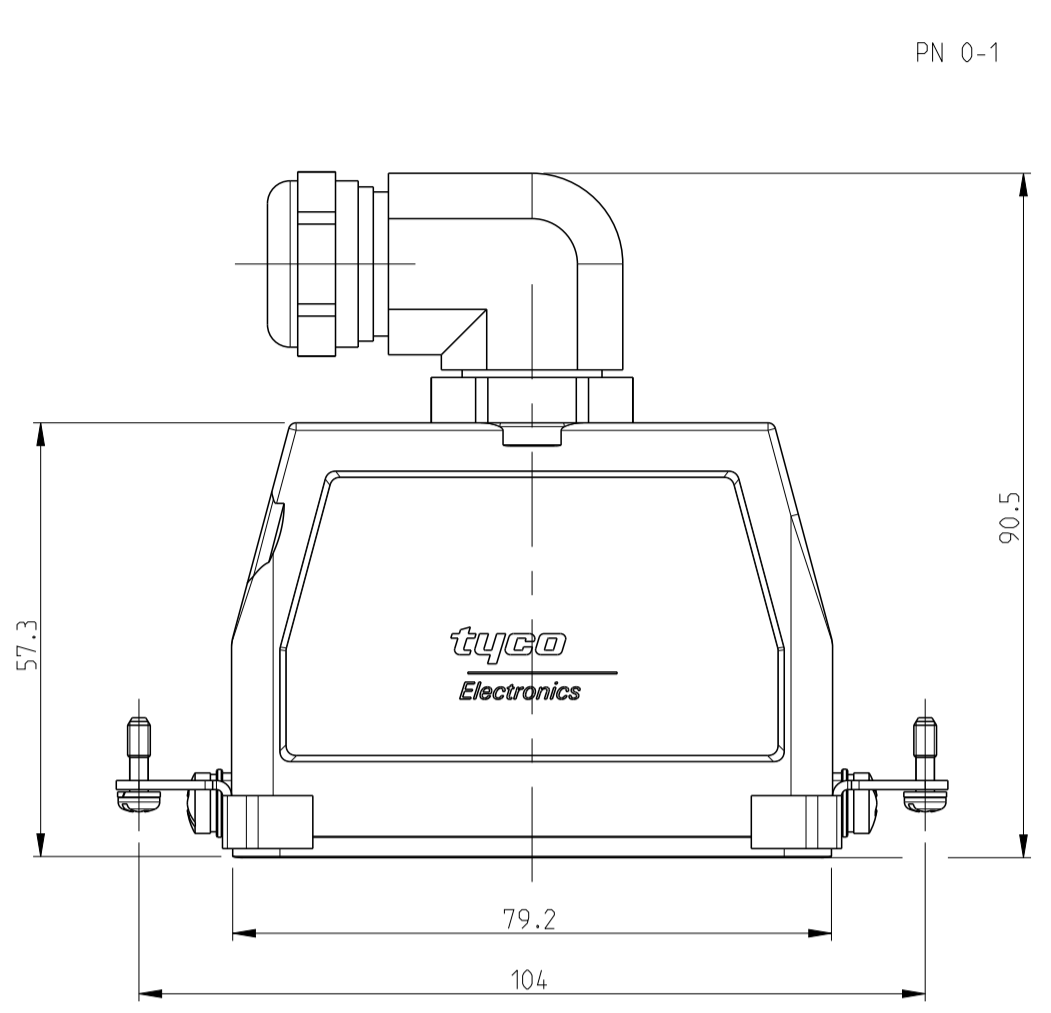


REVISIONS				
P	LTN	DESCRIPTION	DATE	APVD
C2		Released as per ECR-08-019210	31.Jul.2008	SP TS
C3		ECR-16-015318	18AUG2017	GR MKO

- NOTES
- 1 Material: Housing: Aluminium diecasting alloy
  - 2 Surface: See table.
  - 3 Varnish on the inside not necessarily
  - 4 Packaging 5 Pieces max. in a box



QTY	DESCRIPTION	MATERIAL	SURFACE	NOTE	ITEM NO
1	Hood HA 16 SO	Aluminium	Yellow Cromated	Ass'y	6
1	Coupler HA 16 SO	Aluminium	Yellow Cromated	Ass'y	5
20	Socket Contact HN.D	Brass	Gold Plated	0.14-0.37	4
20	Pin Contact HN.D	Brass	Gold Plated	0.14-0.37	3
1	Contact Insert Socket	PC	Grey	HND.D.25	2
1	Contact Insert Pin	PC	Grey	HND.D.25	1

THIS DRAWING IS A CONTROLLED DOCUMENT.

OWNER: P.BENNUR 3/9/2006  
 CHK: R.SRINIVAS 3/9/2006  
 APVD: T.SCHNURPFELL 3/9/2006

TE Connectivity

NAME: HOOD AND COUPLER HA.16.SO

PRODUCT SPEC: -  
 APPLICATION SPEC: -  
 WEIGHT: -  
 CUSTOMER DRAWING

DIMENSIONS: mm  
 TOLERANCES UNLESS OTHERWISE SPECIFIED:  
 0 PLC ±  
 1 PLC ±  
 2 PLC ±  
 3 PLC ±  
 4 PLC ±  
 ANGLES ±

FINISH: -

SIZE: A1  
 CAGE CODE: 00779  
 DRAWING NO: C=1103027

RESTRICTED TO: -  
 SCALE: 1:1  
 SHEET: 1 OF 1  
 REV: C3