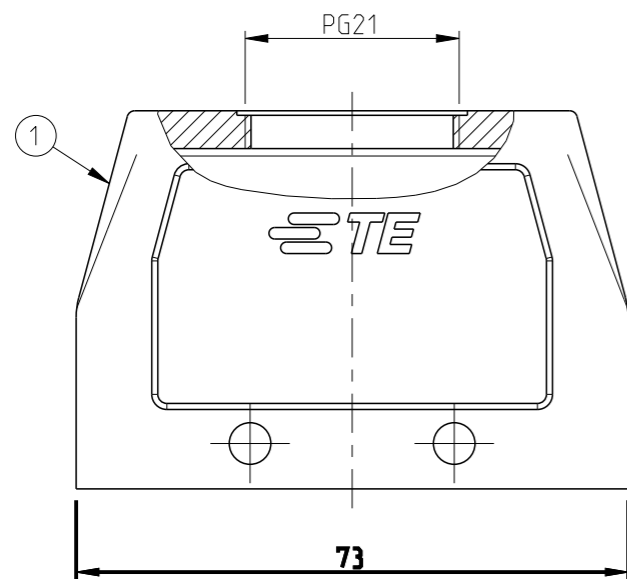
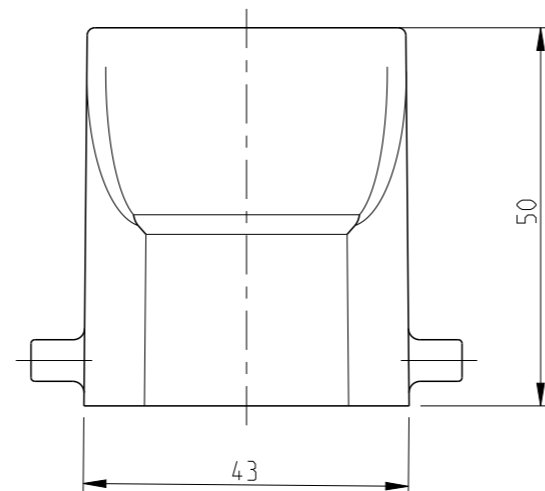


P	LTR	DESCRIPTION	DATE	DWN	APVD
	A4	ECR-21-123293	22FEB2022	RK	JB

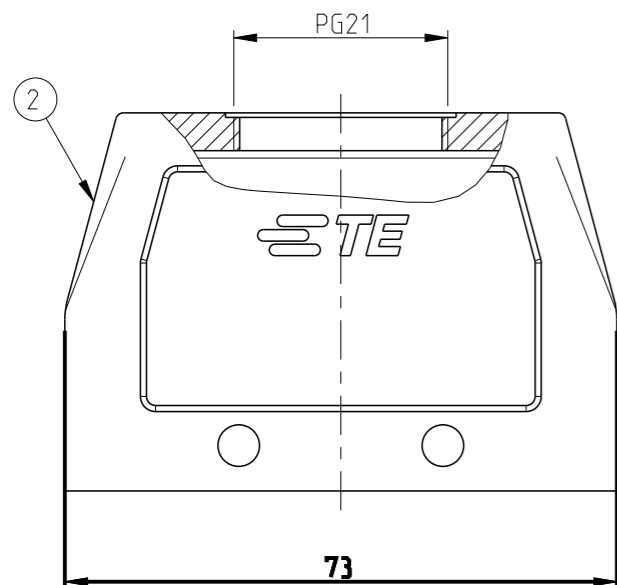


PN 4-6

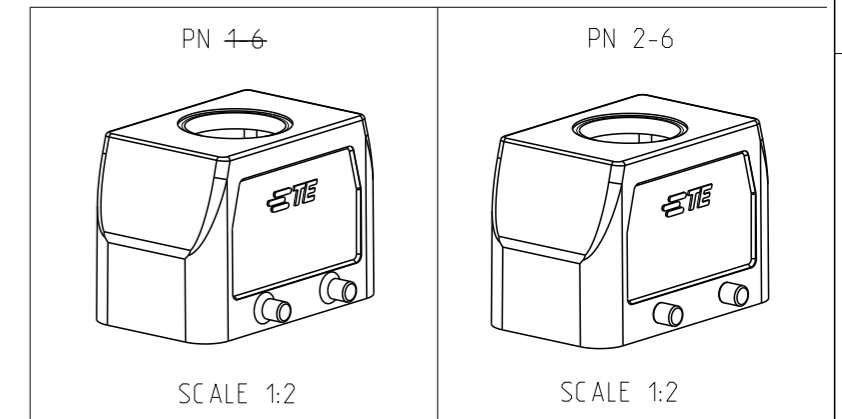
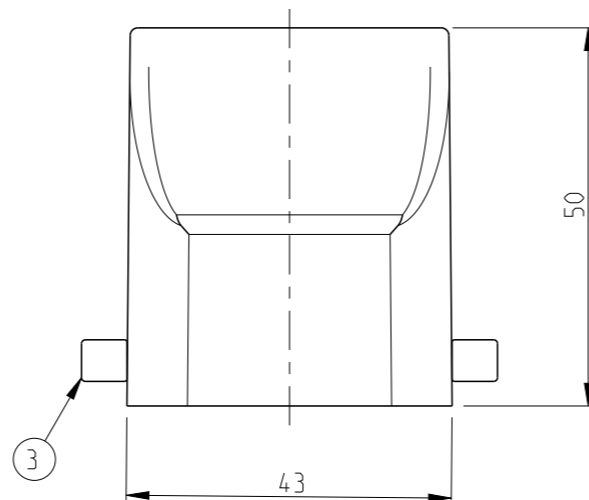


NOTES.

- 1 Material:Housing:Aluminium Diecasting Alloy
- 2 Surface-Powder Varnish Grey  
-Aluminium Oxide +  
Varnish Black
- 3 Varnish on the inside not necessary
- 4 Packaging  
Quantity 5 Pieces in a box



PN 2-6



OBSOLETE

QTY	DESCRIPTION	MATERIAL	SURFACE	COLOR	ITEM NO	REMARKS	
4	VS-Clip bolt	Stainless steel	-		3	-	
1	Hood HB.10.PG.1.21	Aluminium	Aluminium oxide	Black	2	-	
1	Hood HB.10.PG.1.21	Aluminium	-	Grey	1	-	
2-6	1-6	DESCRIPTION	MATERIAL	SURFACE	COLOR	ITEM NO	REMARKS
HB.10.STO.1.21.G							
HB-K.10.STO.1.21.G							

THIS DRAWING IS A CONTROLLED DOCUMENT.

DIMENSIONS: mm	
MATERIAL -	

TOLERANCES UNLESS OTHERWISE SPECIFIED: n-ISO 2768-mS-E n-DIN 16901-120	
0 PLC	±
1 PLC	±
2 PLC	±
3 PLC	±
4 PLC	±
ANGLES	±
FINISH	-

DWN	Schneider	15.06.99
CHK	Schweiger	15.06.99
APVD	-	-
PRODUCT SPEC	108-74003	
APPLICATION SPEC	114-74001	
WEIGHT	-	

		TE Connectivity	
		NAME Hood HB.10.STO.1.21.G	
SIZE	CAGE CODE	DRAWING NO	RESTRICTED TO
A3	00779	©=1102270	-

CUSTOMER DRAWING	SCALE 1:1	SHEET 1 OF 1	REV A4
------------------	-----------	--------------	--------