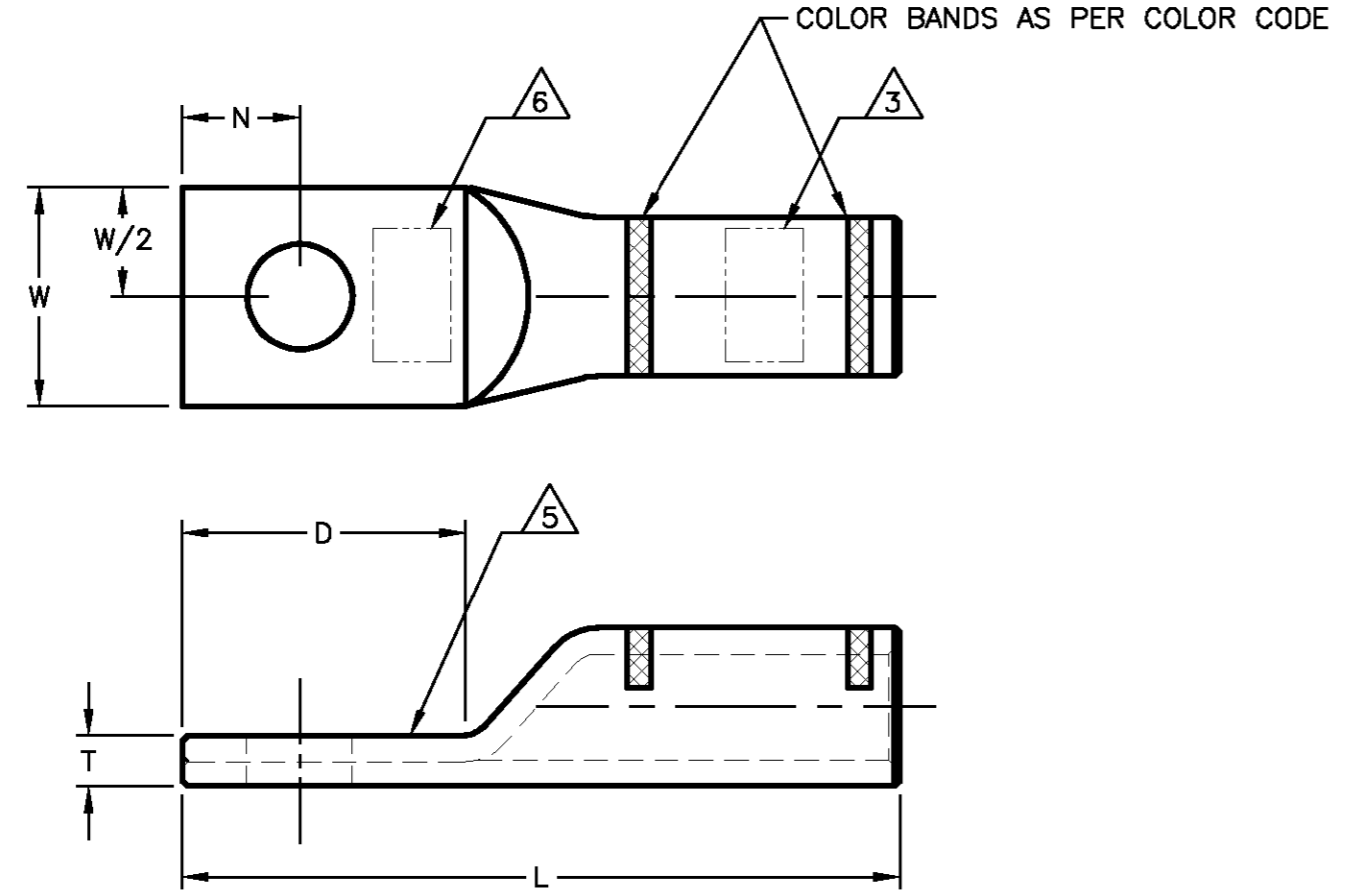


THIS DRAWING IS UNPUBLISHED. RELEASED FOR PUBLICATION
 BY TYCO ELECTRONICS CORPORATION. ALL RIGHTS RESERVED.

LOC	DIST	REVISIONS					
GA	1	P	LTR	DESCRIPTION	DATE	DWN	APVD
		A		REVISED PER LC20-0030-05	09 FEB 04	DR	BJ

- 1 MATERIAL:
ETP COPPER ALLOY C11000
PER ASTM SPEC B188
- 2. HEAT TREAT:
SOFT TEMPERED
- 3 LETTERING STAMPED TO READ:
UTILUX [PART NO]
[CONDUCTOR] cUs
[DIE INDEX]
MADE IN INDIA
- 4 FINISH:
ELECTRO TIN PLATE
- 5 THIS PORTION TO BE CLOSED AIR TIGHT
- 6 OPTIONAL PLACE FOR MARKING



WIRE SIZE	L	W	T	B	R	DIE INDEX	COLOUR CODE	BOLT SIZE	CONDUCTOR	PART NO
LENGTH	REF		REF			(NO. OF CRIMPS)				
2	4.9	2.16	0.32	2.12	0.94	27 (2)	white	5/8	1000 MCM	1-1099898-5
1-9/16	4.0	1.86	0.27	1.94	0.88	24 & 473 (2)	black	5/8	750 MCM	1-1099898-4
1-7/16	3.2	1.54	0.23	1.30	0.65	20 or 290 (1)	brown	1/2	500 MCM	1-1099898-3
1-1/16	2.5	1.27	0.18	1.08	0.53	18 or 324 (1)	red	1/2	350 MCM	1-1099898-2
1	2.4	1.11	0.16	1.08	0.53	16 (1)	yellow	1/2	250 MCM	1-1099898-1
13/16	2.2	1.02	0.14	1.08	0.53	15 (1)	purple	1/2	4/0 STR.	1-1099898-0
12/16	2.2	0.81	0.13	1.08	0.53	14 (1)	orange	1/2	3/0 STR.	1099898-9
3/4	1.9	0.83	0.12	0.83	0.41	13 (1)	black	3/8	2/0 STR.	1099898-8
3/4	2.1	0.88	0.09	1.08	0.53	12 or 348 (1)	pink	1/2	1/0 STR.	1099898-7
3/4	1.7	0.74	0.12	0.70	0.34	12 or 348 (1)	pink	5/16	1/0 STR.	1099898-6
3/4	1.8	0.68	0.10	0.56	0.27	11 or 375 (1)	green	1/4	1 STR.	1099898-5
3/4	1.8	0.61	0.11	0.70	0.34	10 (1)	brown	5/16	2 STR.	1099898-4
3/4	1.6	0.57	0.09	0.70	0.34	9 (1)	white	5/16	3 STR.	1099898-3
3/4	1.5	0.50	0.09	0.56	0.27	8 or 346 (1)	gray	1/4	4 STR.	1099898-2
3/4	1.5	0.45	0.08	0.56	0.27	7 or 374 (1)	blue	1/4	6 STR.	1099898-1

THIS DRAWING IS A CONTROLLED DOCUMENT.

DWN D. ROBITALLE 06 FEB 03	Tyco Electronics Corporation Markham, ON L3R 1E1
CHK A. BULZA 29 SEP 03	
APVD B. JOHNSON 29 SEP 03	NAME COMPRESSION TERMINAL, COPPER, ONE HOLE PAD, SHORT BARREL, PLATED
PRODUCT SPEC	
APPLICATION SPEC	
MATERIAL 1	WEIGHT A2 00779
FINISH 4	SCALE NTS
CUSTOMER DRAWING	
DRAWING NO 1099898	
RESTRICTED TO	
SHEET 1 OF 1	
REV A	

1099898