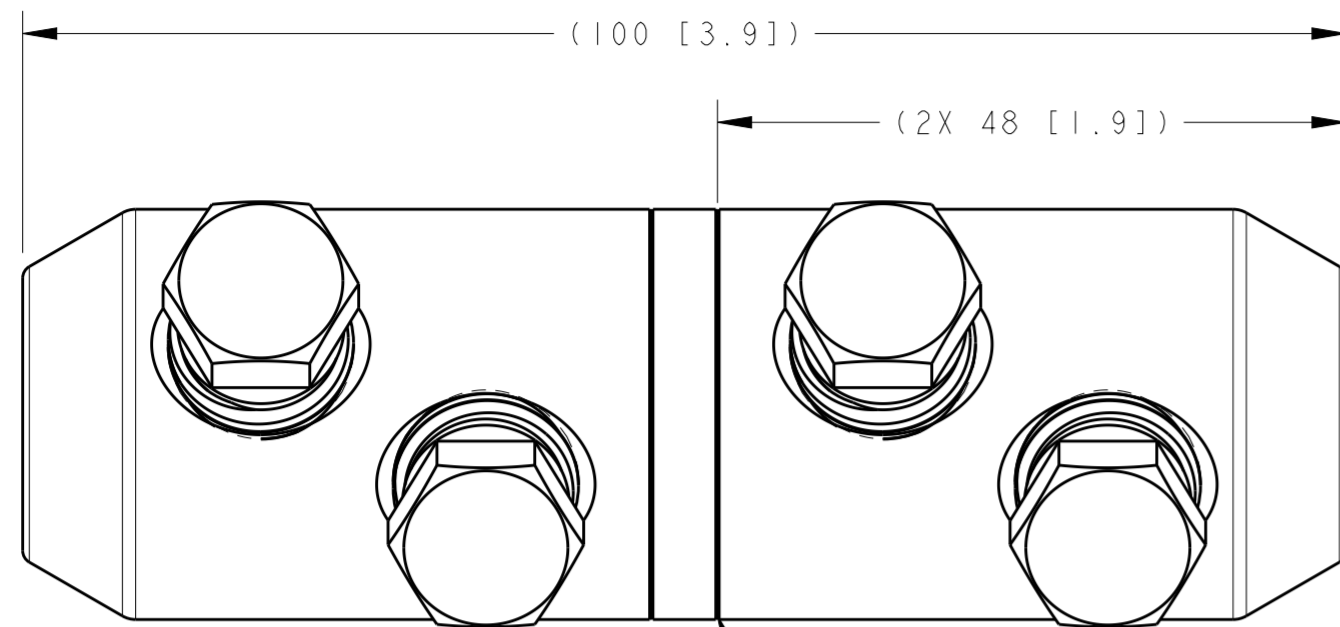
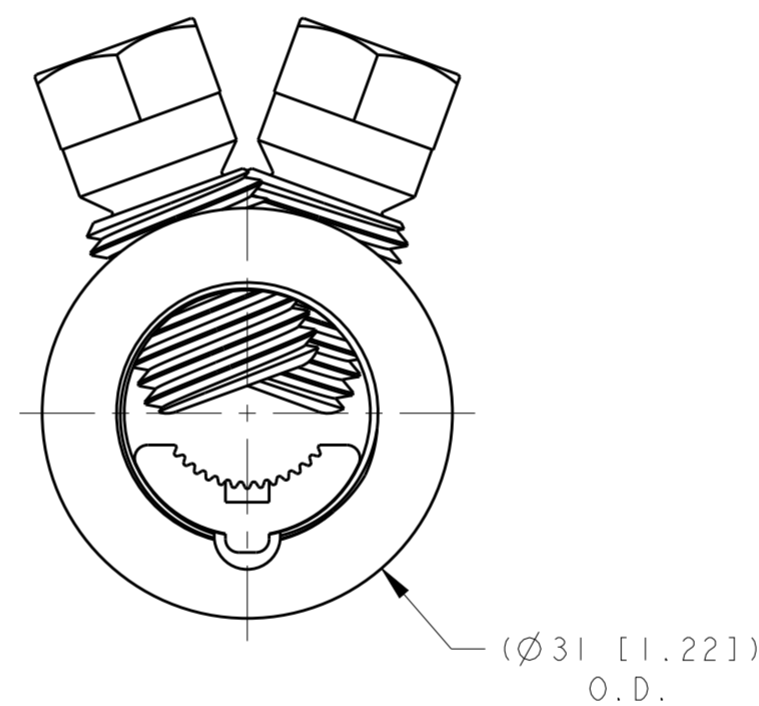
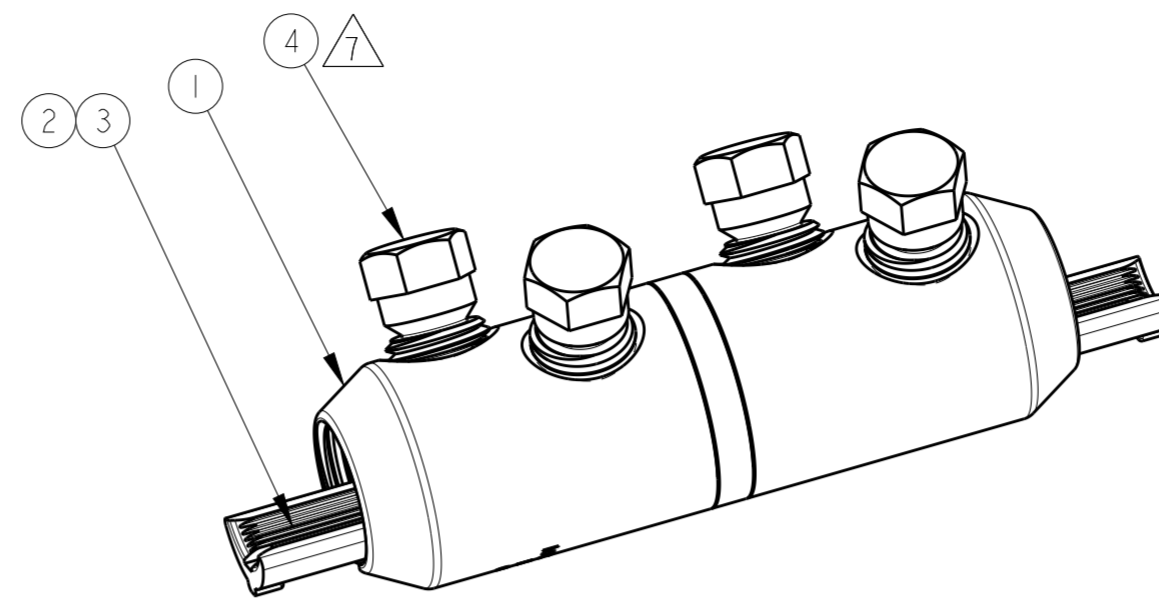
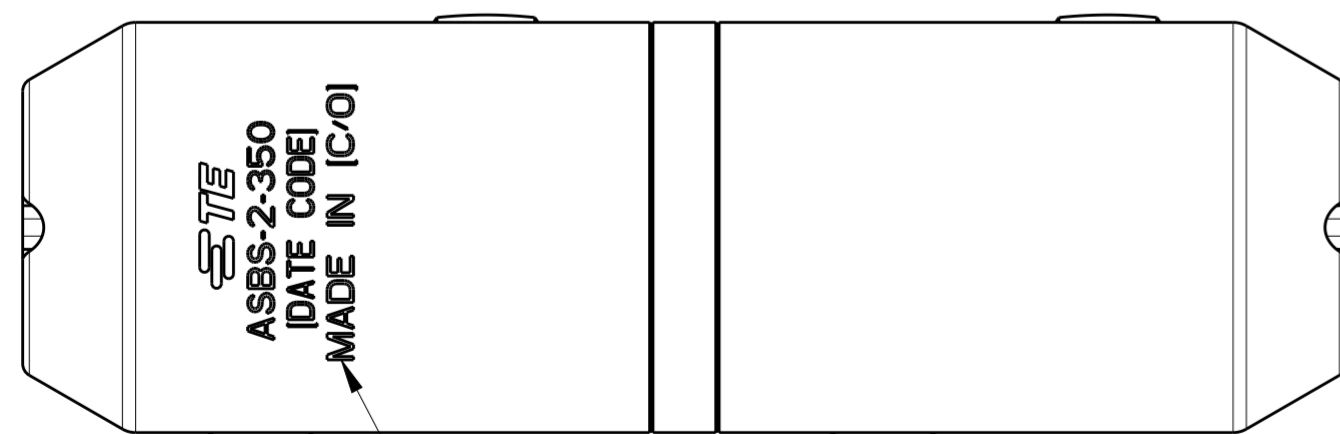
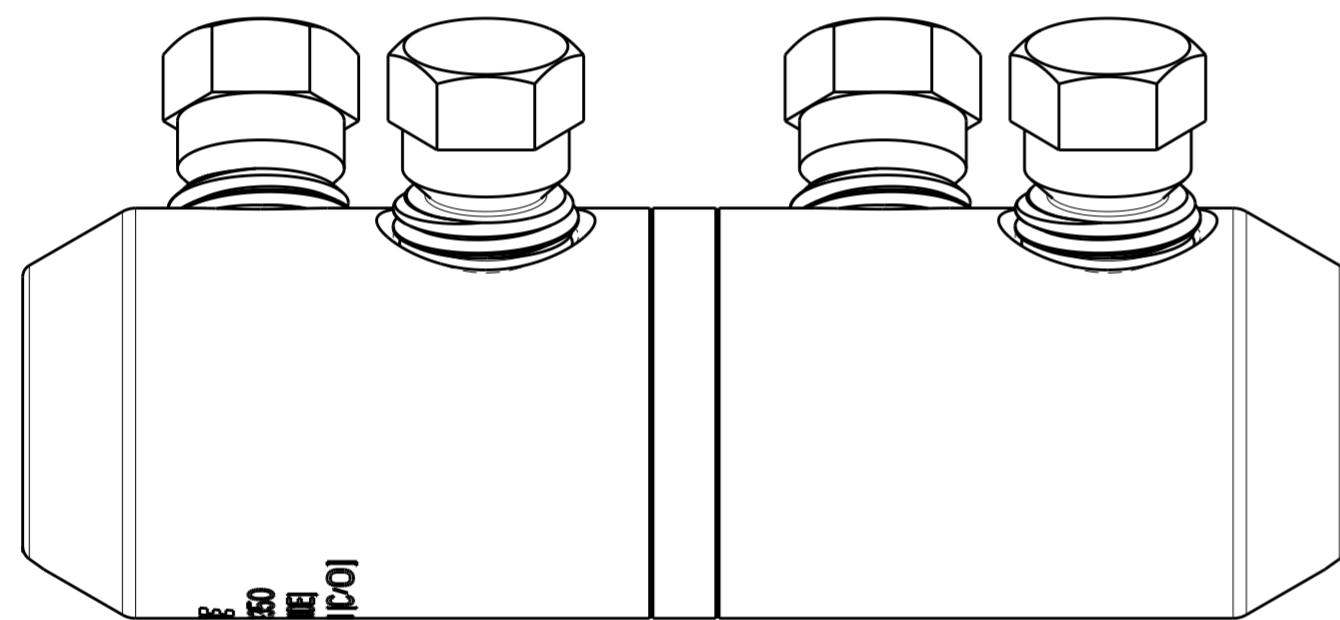


| P | LTR | DESCRIPTION | DATE | DWN | APVD |
|---|-----|------------------------------|-----------|-----|------|
| F | | LC20-0093-14 / ECO-14-011021 | 05AUG2014 | JG | BJ |
| G | | LC20-0132-15 / ECO-15-016645 | 11NOV2015 | DM | BJ |
| H | | LC20-0095-16 / ECO-16-011928 | 17AUG2016 | JG | BJ |
| J | | LC20-0086-20 / ECO-20-012153 | 14AUG2020 | DM | BJ |



CABLE STRIP LENGTH IDENTIFICATION GROOVES



1. ACCOMMODATES:
#2 AWG COMPACT (Ø6.81 [.2681]) TO
350 KCMIL STD STR (Ø17.30 [.681])
ALUMINUM OR COPPER CONDUCTORS.

MARKING:



ASBS-2-350
[DATE CODE]
MADE IN [COUNTRY OF ORIGIN]

3. INSERT SHALL BE REMOVED FOR CONDUCTOR SIZES GREATER THAN 4/0 AWG STD STR (Ø13.4 [.528 DIA]).
4. ALL DIMENSIONS ARE FOR REFERENCE ONLY.
5. CONNECTOR CONTAINS FACTORY APPLIED ANTI-OXIDE INHIBITOR.
6. FINISH:
ELECTRO-TIN PLATED

7. INSTALL BOLTS WITH 13 mm [1/2 inch] HEX SOCKET.

| | |
|------------|-----------|
| ASBS-2-350 | 1099739-1 |
| CATALOG NO | PART NO |

| QTY | DESCRIPTION | ITEM NO |
|------------|---|---------|
| 1 | INSTALLATION INSTRUCTION SHEET, 408-8990 | 6 |
| 1 | ABRASIVE TAPE | 5 |
| 4 | BOLT, MULTI-SHEAR, M14 SIZE, ALUMINUM | 4 |
| A/R | INHIBITOR | 3 |
| 2 | INSERT, ALUMINUM, TIN PLATED, 2 AWG - 350 KCMIL | 2 |
| 1 | CONNECTOR BODY, ALUMINUM, TIN PLATED, 2 AWG - 350 KCMIL | 1 |
| PARTS LIST | | |

THIS DRAWING IS A CONTROLLED DOCUMENT.

| | | | | |
|--|--|-----------------|-------------------------|---------------|
| DWN D. ROBITALLE 10SEP2004 | TE Connectivity | | | |
| CHK A. BULZA 14JAN2005 | | | | |
| APVD B. JOHNSON 17JAN2005 | | | | |
| NAME SHEARBOLT CONNECTOR, ALUM, TINNED, 2 AWG CPT TO 350 KCMIL STD CONDUCTORS | | | | |
| DIMENSIONS: mm [INCH] | TOLERANCES UNLESS OTHERWISE SPECIFIED: | SIZE A200779 | DRAWING NO C-1099739 | RESTRICTED TO |
| 0 PLC ± | 1 PLC ± | SCALE NTS | SHEET OF | REV J |
| 2 PLC ± | 2 PLC ± | | | |
| 3 PLC ± | 3 PLC ± | | | |
| 4 PLC ± | 4 PLC ± | | | |
| ANGLES ± | FINISH ± | | | |
| MATERIAL SEE BOM | FINISH SEE BOM | | | |
| CUSTOMER DRAWING | | | | |