

4

3

2

1

THIS DRAWING IS UNPUBLISHED. RELEASED FOR PUBLICATION
 © COPYRIGHT - By - ALL RIGHTS RESERVED.

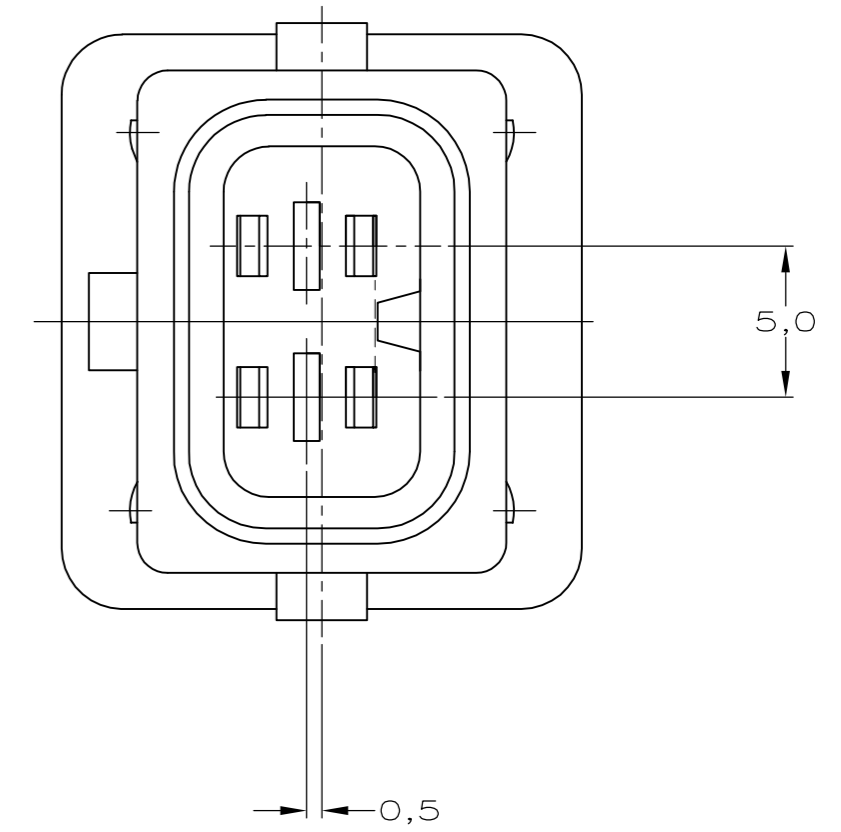
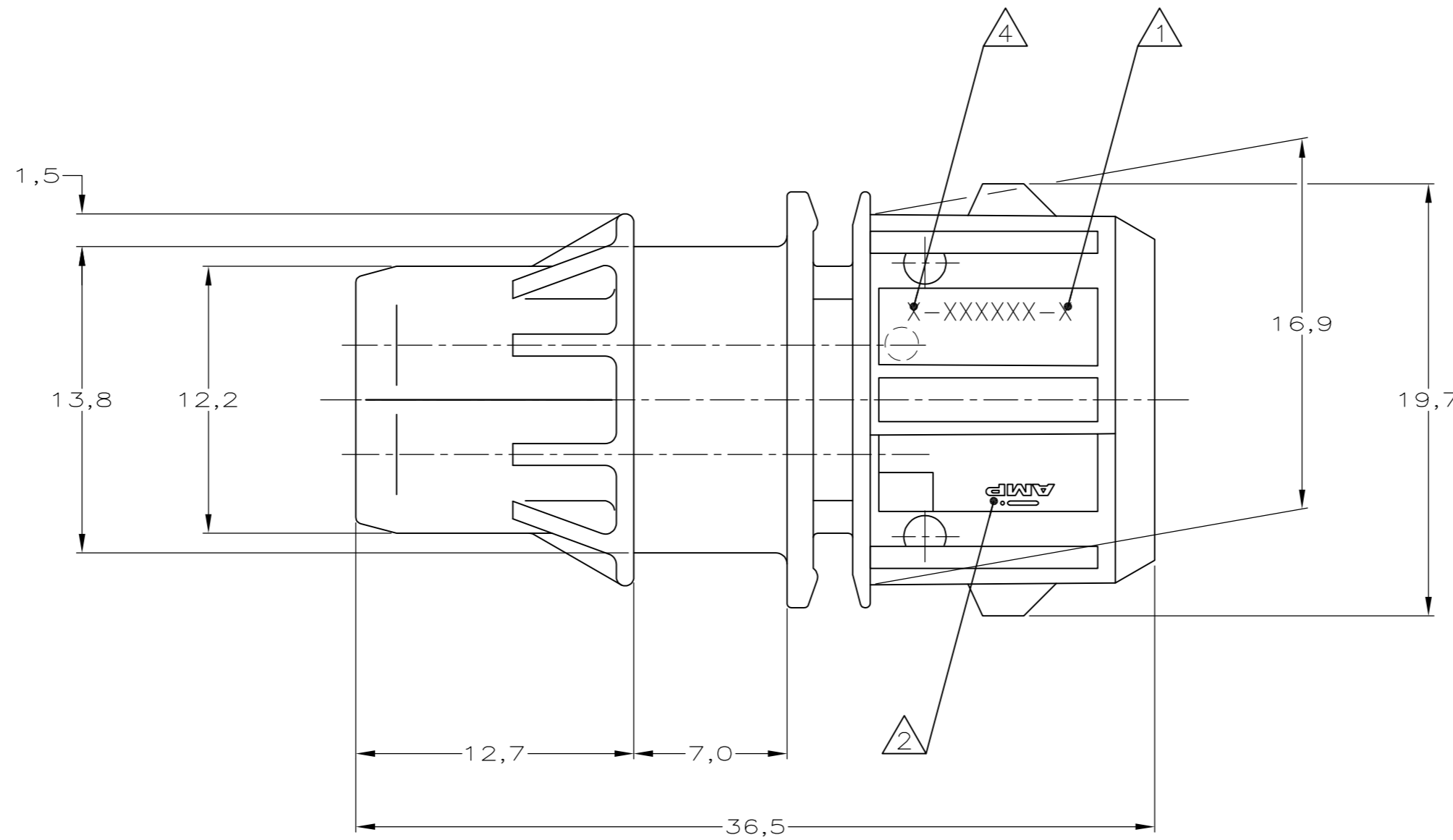
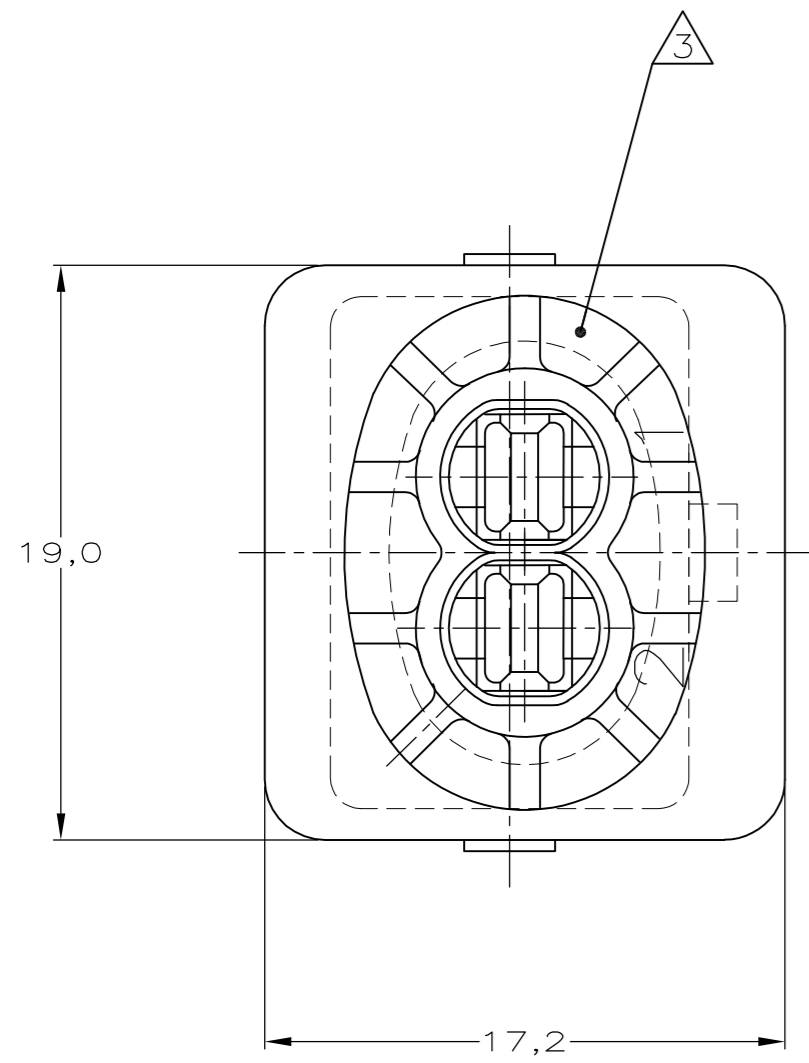
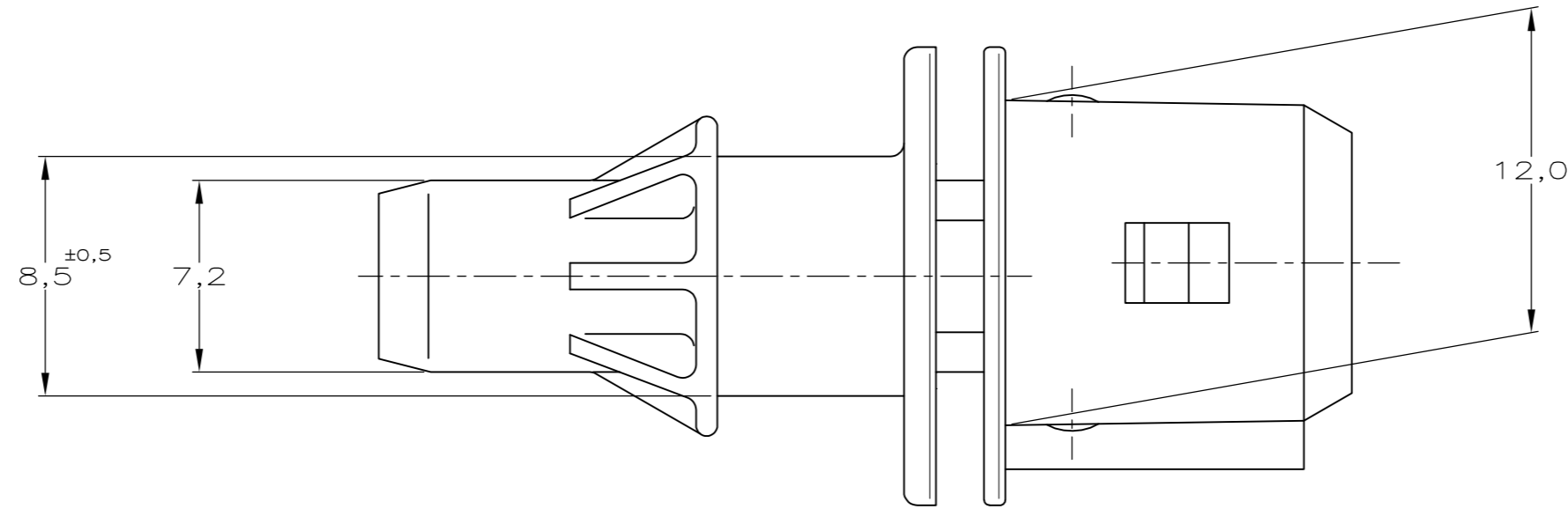
METRIC

LOC	DIST
-	-

REVISIONS				DATE	DWN	APVD
P	LTR	DESCRIPTION				
E1		REVISED PER ECO-11-005150	19MAR11	RK	HMR	
E2		ECR-13-018496	02DEC2013	VK	BB	

NOTES:

- ▲ PARTNUMBER IDENTIFICATION.
- ▲ AMP TRADE MARK.
- ▲ CAVITY IDENTIFICATION.
- ▲ POCKET IDENTIFICATION.
- 5 FITS TO HOUSING JR TIMER 282189-1 AND 827551-1.



THIS DRAWING IS A CONTROLLED DOCUMENT.

DIMENSIONS:	TOLERANCES UNLESS OTHERWISE SPECIFIED:
mm	± 0.5 mm
0 PLC	± -
1 PLC	± -
2 PLC	± -
3 PLC	± -
4 PLC	± -
ANGLES	± -

MATERIAL	FINISH
-	-

DWN	-
CHK	D.KESSLER 5 SEP 00
APVD	M. v DRIEL 5 SEP 00
PRODUCT SPEC	-
APPLICATION SPEC	-
WEIGHT	-
CUSTOMER DRAWING	-

BLACK FINISH	PBT MATERIAL	106462-1 PARTNUMBER	
TE TE Connectivity			
2 POS. 2.8mm TAB HOUSING			
SIZE	CAGE CODE	DRAWING NO	RESTRICTED TO
A2	00779	C=106462	-
SCALE	SHEET	REV	
-	1 of 1	E2	

106462

A