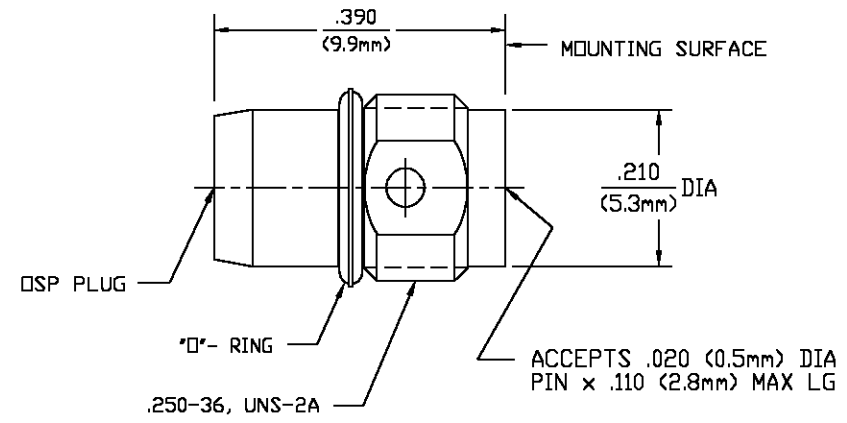


REVISIONS			
REV	DESCRIPTION	DATE	APPROVED
02 0	REVISED	6/6/95	POV
B	REVISED PER ECN 0U20-0262-01	G.V. 12/17/02	JGH



ELECTRICAL	MECHANICAL	ENVIRONMENTAL	HOUSING	MATERIAL	FINISH								
Nominal Impedance (Ohms) 50	Interface Dimensions Per OMNI-SPECTRA CATALOG	TEMPERATURE RATING -65°C TO +125°C	DIELECTRIC	STAINLESS STEEL PER ASTM-A484 AND ASTM-A582, TYPE 303	PASSIVATE PER ASTM-A380								
Frequency Range (GHz) DC - 18.0	Recommended Mating Torque N/A	Vibration - MIL-STD-202, Method 204, Condition D, 20G's	CENTER CONTACT	TFE FLUOROCARBON PER ASTM-D-1457	N/A								
Volt Rating (VRMS MAX) 335 @ Sea Level	Mating Characteristics: Insertion (MAX Lbs) N/A	Shock - MIL-STD-202, Method 213, Condition I	"Ø" - RING	BERYLLIUM COPPER PER ASTM B 196, ALLOY	GOLD PLATE PER MIL-G-45204								
VSWR 1.04 + .006 F(GHz)	Withdrawal (MIN Oz) N/A	Thermal Shock MIL-STD-202, Method 107, Condition B	COMPONENT	FLOURSILICONE PER MIL-R-25988, CLASS I, TYPE I.	N/A								
Insertion Loss (dB MAX) .03√F(GHz)	Force To Engage (Lbs MAX) 3.0	EXCEPT HIGH TEMP 115°C	UNLESS OTHERWISE SPECIFIED DIMENSIONS ARE IN INCHES TOLERANCE IN	DATE 11-10-83	AMP Incorporated 140 Fourth Avenue Waltham, MA 02451-7599								
RF Leakage (dB MIN) -(90 - F(GHz))	Force To Disengage (Lbs MAX) 1.5	Moisture Resistance - MIL-STD-202, Method 106	FRAC. DEC. ANGLES	DATE 11-16-83									
Corona, 70,000 Ft (VRMS MIN) 85	Center Contact Captivation Axial (Lbs) 6.0	Corrosion - MIL-STD-202, Method 101, Condition B, 5% salt spray	+ 1/64 ±.005 ± 1'	DATE 11-18-83									
Dielectric Withstanding Voltage (VRMS MIN) 1000 @ Sea Level	Radial (In-Øz) 4.0	Leak Test - MIL-STD-202, Method 112, Condition C, Procedure I, 1 x 10 ⁻⁸ CC/Sec	These drawings and specifications are the property of Omni Spectra incorporated and shall not be reproduced or copied or used in whole or in part as the basis for the manufacture or sale of item(s) without written permission.	USE ASS'Y PROCEDURE	TITLE DSP FIELD REPLACEABLE PANEL FEEDTHROUGH PLUG WITH HERMETIC SEAL								
Contact Resistance (Milliohms MAX) Center Contact 3.0	Weight (Grams) T.B.D.		408-04604 (45-130)	NO AP_____	<table border="1"> <tr> <td>SIZE B</td> <td>CODE IDENT NO. 26805</td> <td>4557-5328-02</td> <td>REV 02 0</td> </tr> <tr> <td>SCALE 5:1</td> <td colspan="2"></td> <td>SHEET 1 OF 1</td> </tr> </table>	SIZE B	CODE IDENT NO. 26805	4557-5328-02	REV 02 0	SCALE 5:1			SHEET 1 OF 1
SIZE B	CODE IDENT NO. 26805	4557-5328-02	REV 02 0										
SCALE 5:1			SHEET 1 OF 1										
Outer Contact 2.0													
RF High Potential (VRMS MIN @ 5 MHz) 670 @ Sea Level													
I.R.(Megohms) 5000													

CUSTOMER DRAWING AMP PART # 1059634-1 SHEET 1 OF 1 REV B