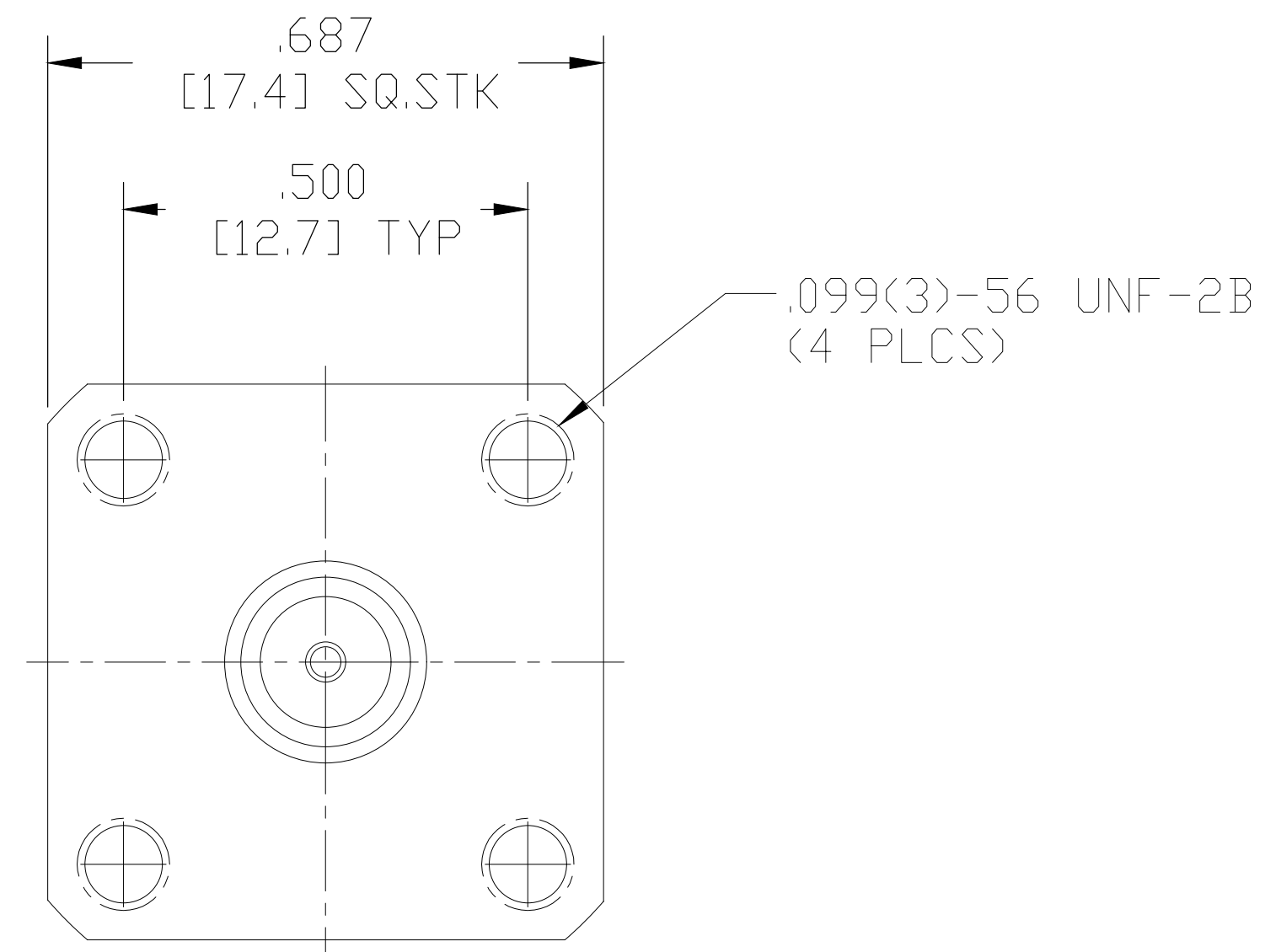
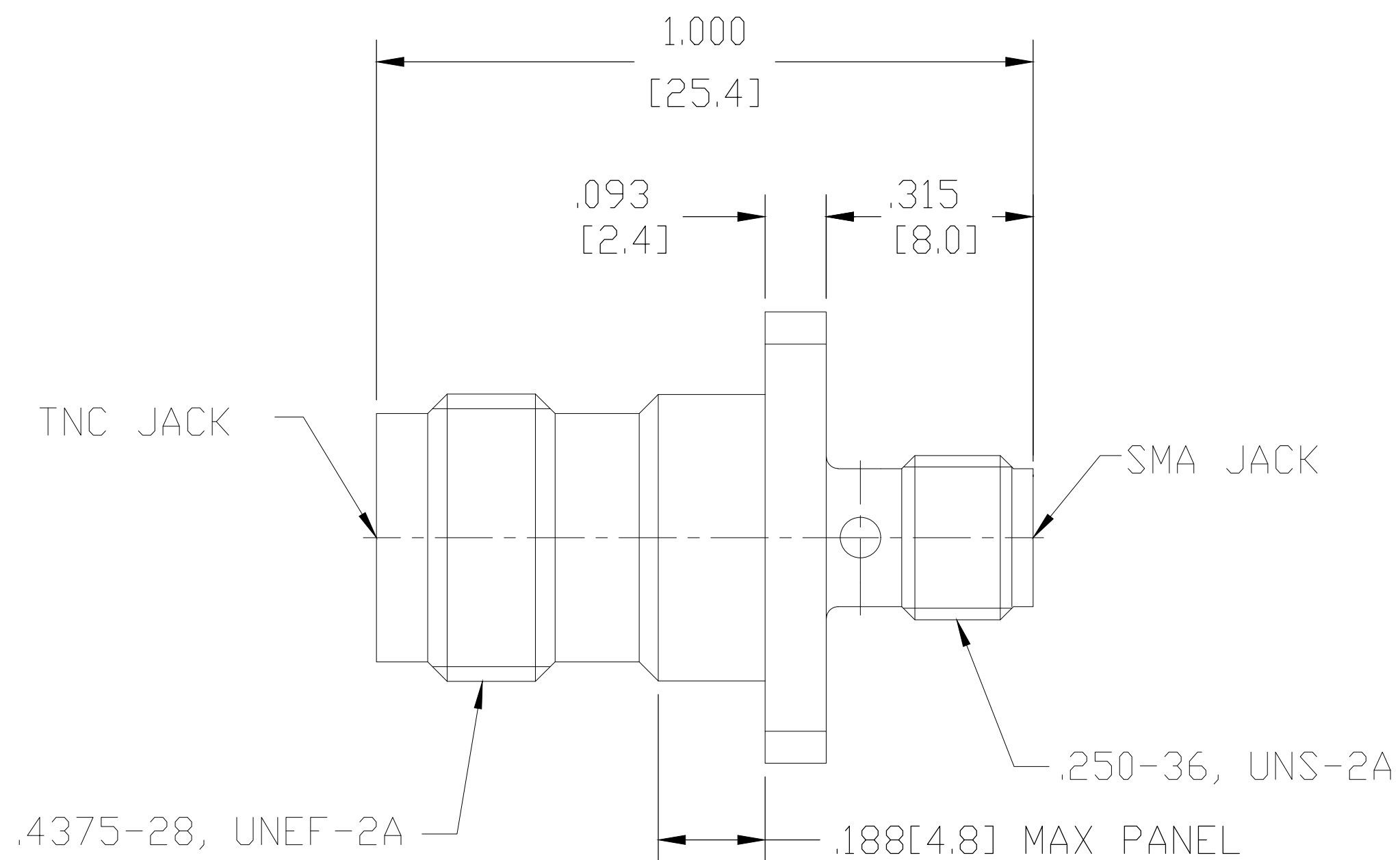


THIS DRAWING IS UNPUBLISHED. RELEASED FOR PUBLICATION
 © COPYRIGHT - TE Connectivity Ltd. ALL RIGHTS RESERVED.

REVISIONS					
P	LTR	DESCRIPTION	DATE	DWN	APVD
A1		ECR-19-002237	12FEB2019	RZ	RS



NOTES:
 1. CAPTURED CENTER CONTACT

QTY	FINISH	MATERIAL	DESCRIPTION	ITEM
1	Au	BERYLLIUM COPPER	CONTACT PIN	3
1	-	PTFE	INSULATION	2
1	PASSIVATE	STAINLESS STEEL	BODY	1
-1	PLATING	MATERIAL	DESCRIPTION	ITEM

QUANTITY PER ASSY

THIS DRAWING IS A CONTROLLED DOCUMENT.		DWN S. W. A 01JUL1985	TE TE Connectivity	
DIMENSIONS: INCHES		CHK A. H. 31OCT1985		
TOLERANCES UNLESS OTHERWISE SPECIFIED:		APVD D. R. V. 31OCT1985	NAME TNC JACK TO SMA JACK ADAPTER	
0 PLC ± -		PRODUCT SPEC	SIZE	
1 PLC ± -		APPLICATION SPEC	CAGE CODE	
2 PLC ± -			DRAWING NO	
3 PLC ± .005			RESTRICTED TO	
4 PLC ± -			SCALE	
ANGLES ± 3			SHEET	
MATERIAL	FINISH	WEIGHT 0.000000	A2 00779	REV A1
		CUSTOMER DRAWING	SCALE 1:1	SHEET 1 OF 1

1057841