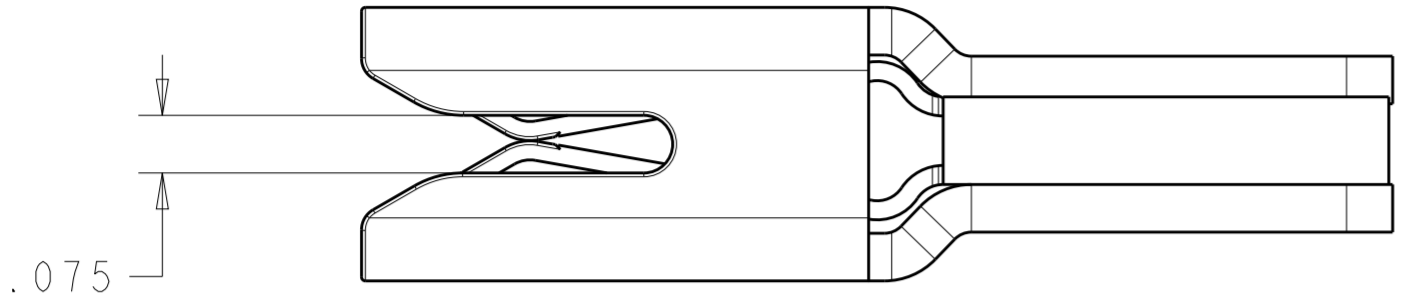
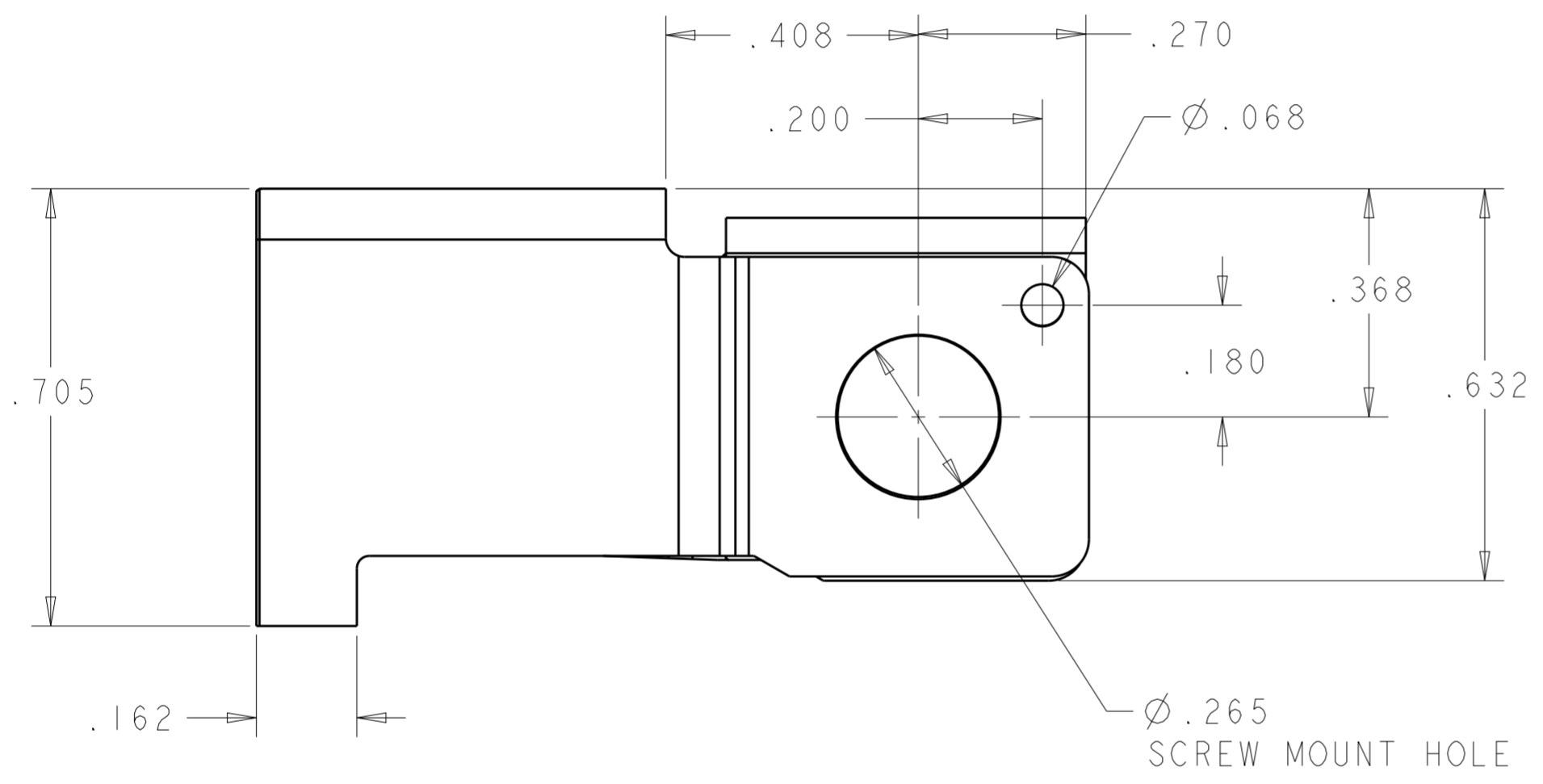


THIS DRAWING IS UNPUBLISHED. RELEASED FOR PUBLICATION 20
 © COPYRIGHT 20 ALL RIGHTS RESERVED.

LOC	DIST	REVISIONS					
GP	00	P	LTR	DESCRIPTION	DATE	DWN	APVD
			J1	REV PER ECO-15-004265	12JUL2016	ML	SZ

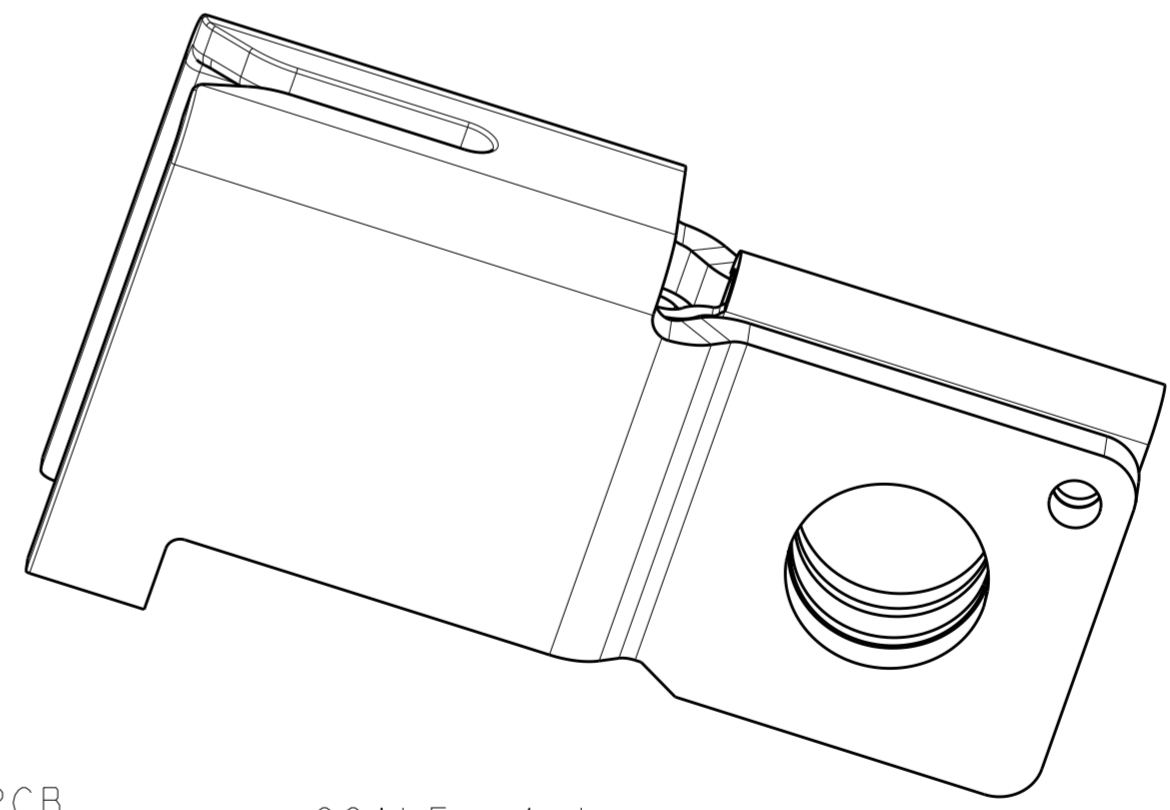


- 1. COMPONENTS UNASSEMBLED IN A SEALED POLY BAG.
- 2 MATERIAL:
ANTI-OVERSTRESS PLATE - STAINLESS STEEL/IRON.
BUS PLUG - HIGH CONNECTIVITY COPPER ALLOY
- 3 FINISH:
SILVER PLATING OVER NICKEL PLATING ON CONTACT.

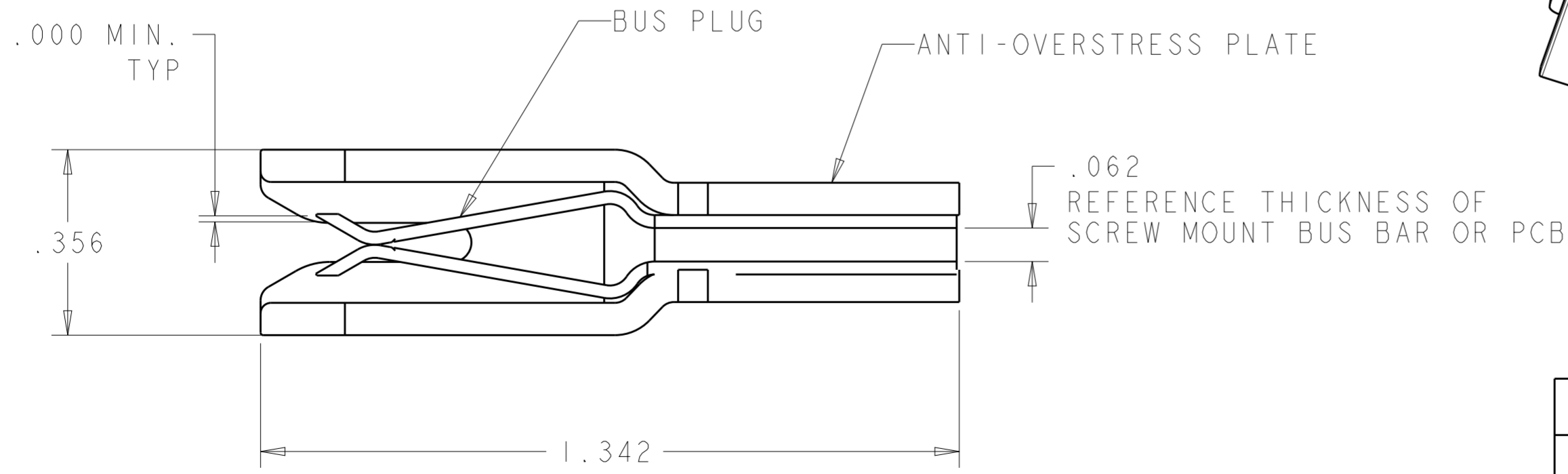


- 4 MATERIAL:
ANTI-OVERSTRESS PLATE - THERMOPLASTIC, BLACK, UL94V-0
BUS PLUG - HIGH CONNECTIVITY COPPER ALLOY
- 5. ITEMS PROVIDED TO THIS SPECIFICATION TO BE PERMANENTLY IDENTIFIED ON THE CONTAINER PER THE FOLLOWING IDENTIFIER LABEL:

TE CONNECTIVITY P/N: XXXXXXXX-X
 DATE CODE (e.g. 0106): YEAR 1 WEEK 1
 XXXX



SCALE 4:1

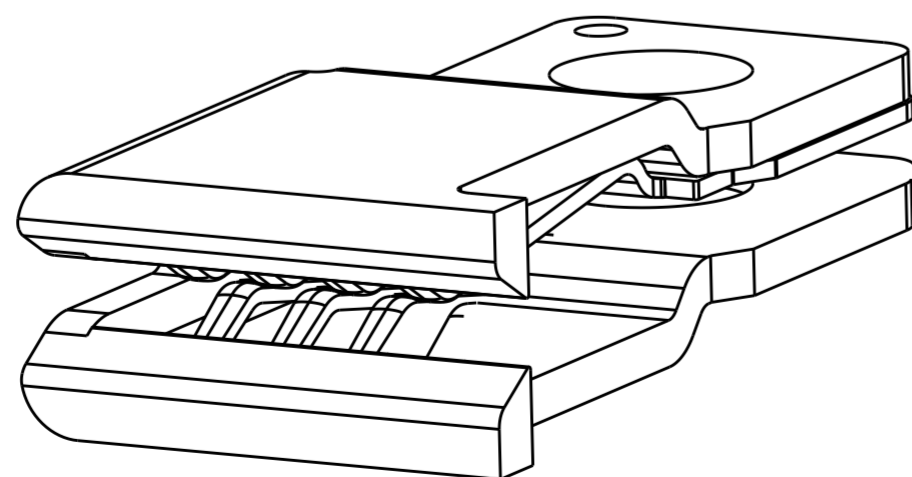
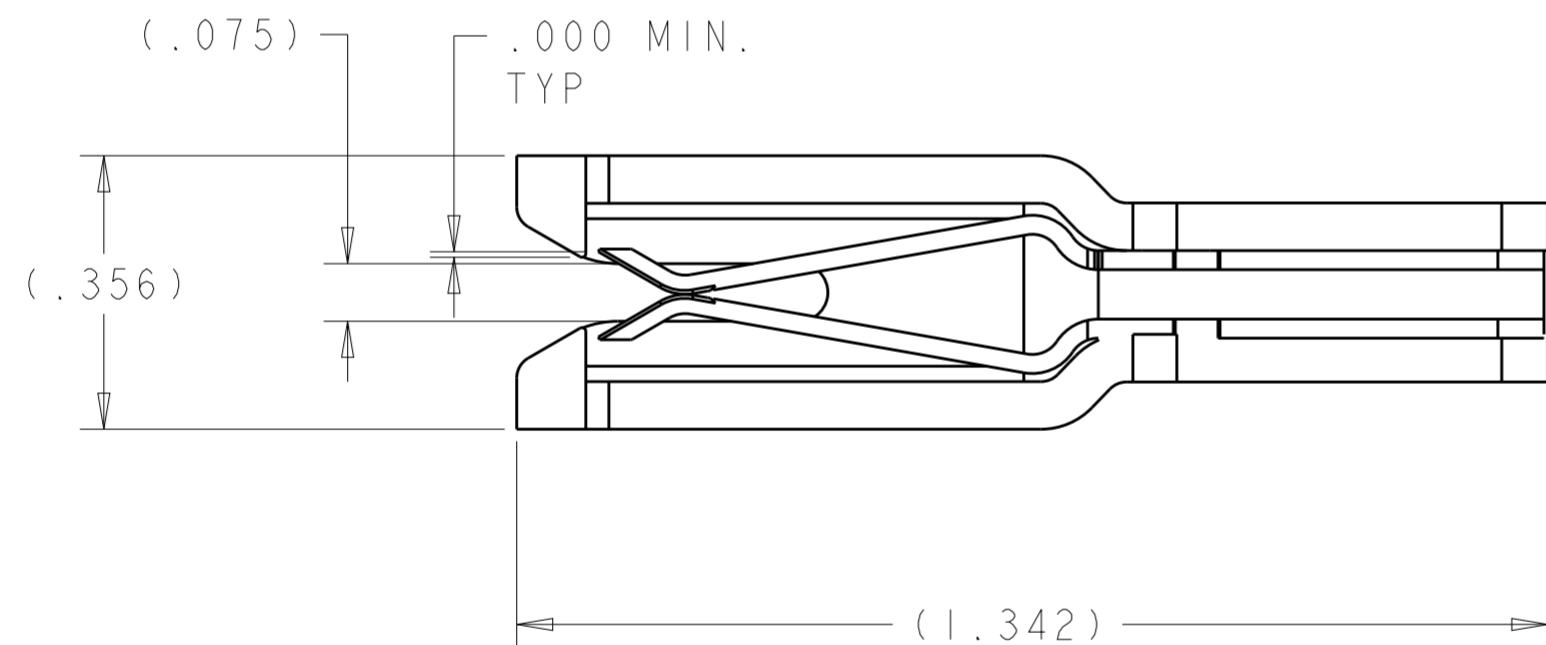
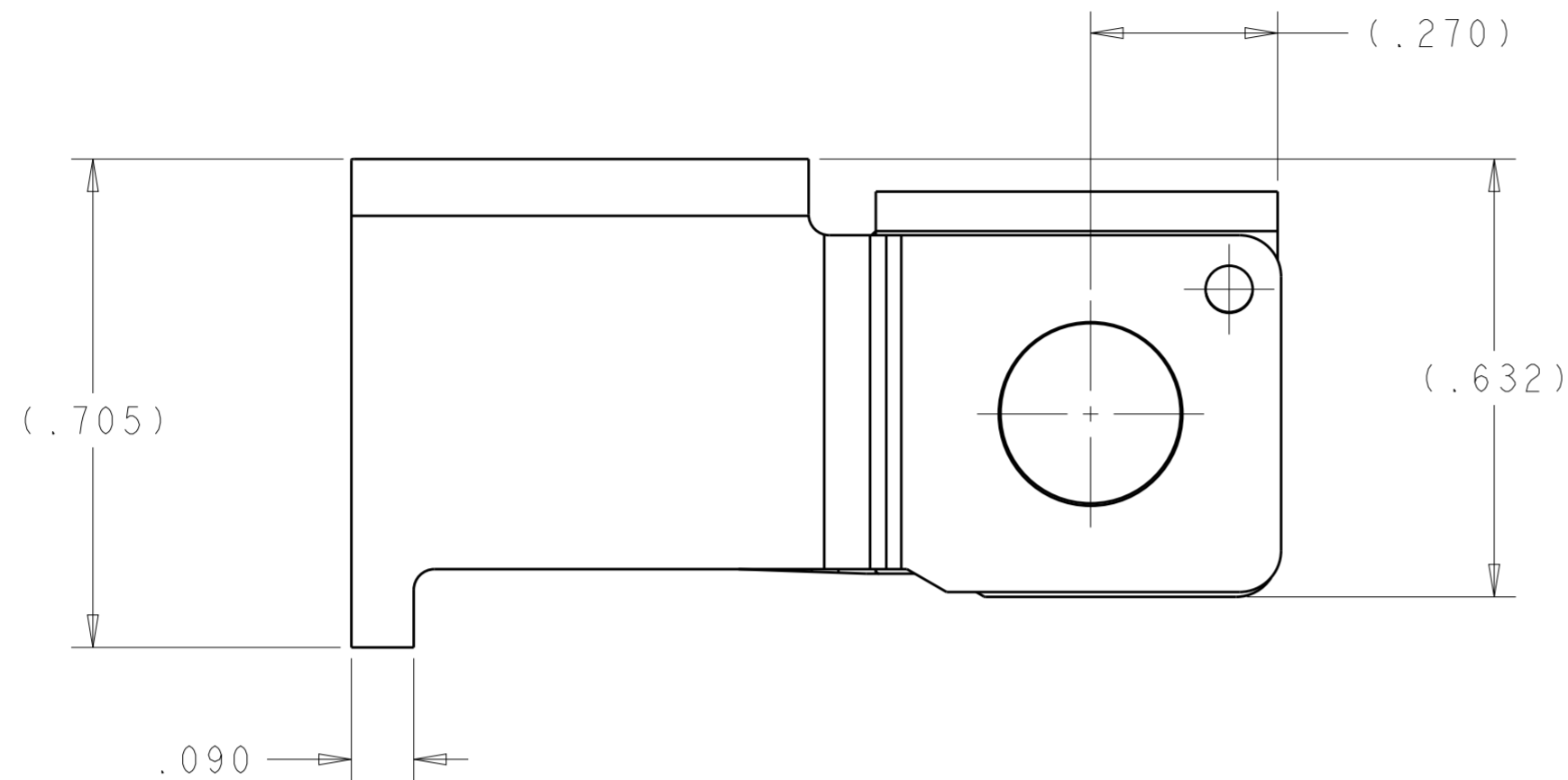


DESCRIPTION		PART NUMBER	
AMP PDS .062F2 PLUGGABLE BUS BAR SERIES W/ GUIDE		104742-1	
SIZE	CAGE CODE	DRAWING NO	RESTRICTED TO
A2	00779	C-104742	-
SCALE 4:1		SHEET 1	OF 2
CUSTOMER DRAWING		REV	J1

THIS DRAWING IS A CONTROLLED DOCUMENT.		DWN	08FEB2008
DIMENSIONS: INCHES		CHK	08FEB2008
TOLERANCES UNLESS OTHERWISE SPECIFIED:		APVD	08FEB2008
0 PLC	±	NAME	
1 PLC	±	R. GRZYBOWSKI	
2 PLC	±	A. FRANTUM	
3 PLC	±.015	S. FLICKINGER	
4 PLC	±	PRODUCT SPEC	
ANGLES	±	APPLICATION SPEC	
FINISH	±	WEIGHT	
MATERIAL		-	

THIS DRAWING IS UNPUBLISHED. RELEASED FOR PUBLICATION 20
 © COPYRIGHT 20 ALL RIGHTS RESERVED.

LOC	DIST	REVISIONS					
GP	00	P	LTR	DESCRIPTION	DATE	DWN	APVD
		-		SEE SHEET 1	-	-	-



THIS DRAWING IS A CONTROLLED DOCUMENT.		DWN R. GRZYBOWSKI 08FEB2008	3 4		104742-2
DIMENSIONS: INCHES		CHK A. FRANTUM 08FEB2008	DESCRIPTION		PART NUMBER
TOLERANCES UNLESS OTHERWISE SPECIFIED:		APVD S. FLICKINGER 08FEB2008	TE Connectivity		
0 PLC ±	1 PLC ±	PRODUCT SPEC	AMP PDS .062F2		
2 PLC ±	3 PLC ±.015	APPLICATION SPEC	SERIES		
4 PLC ±	ANGLES ±	WEIGHT	W/ GUIDE		
MATERIAL	FINISH	CUSTOMER DRAWING	SIZE A2	CAGE CODE 00779	DRAWING NO C-104742
			RESTRICTED TO	SCALE 4:1	SHEET 2 OF 2
				REV J1	