

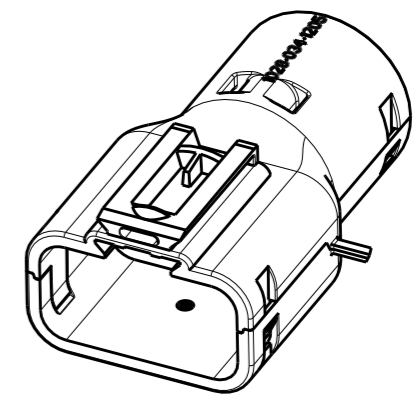
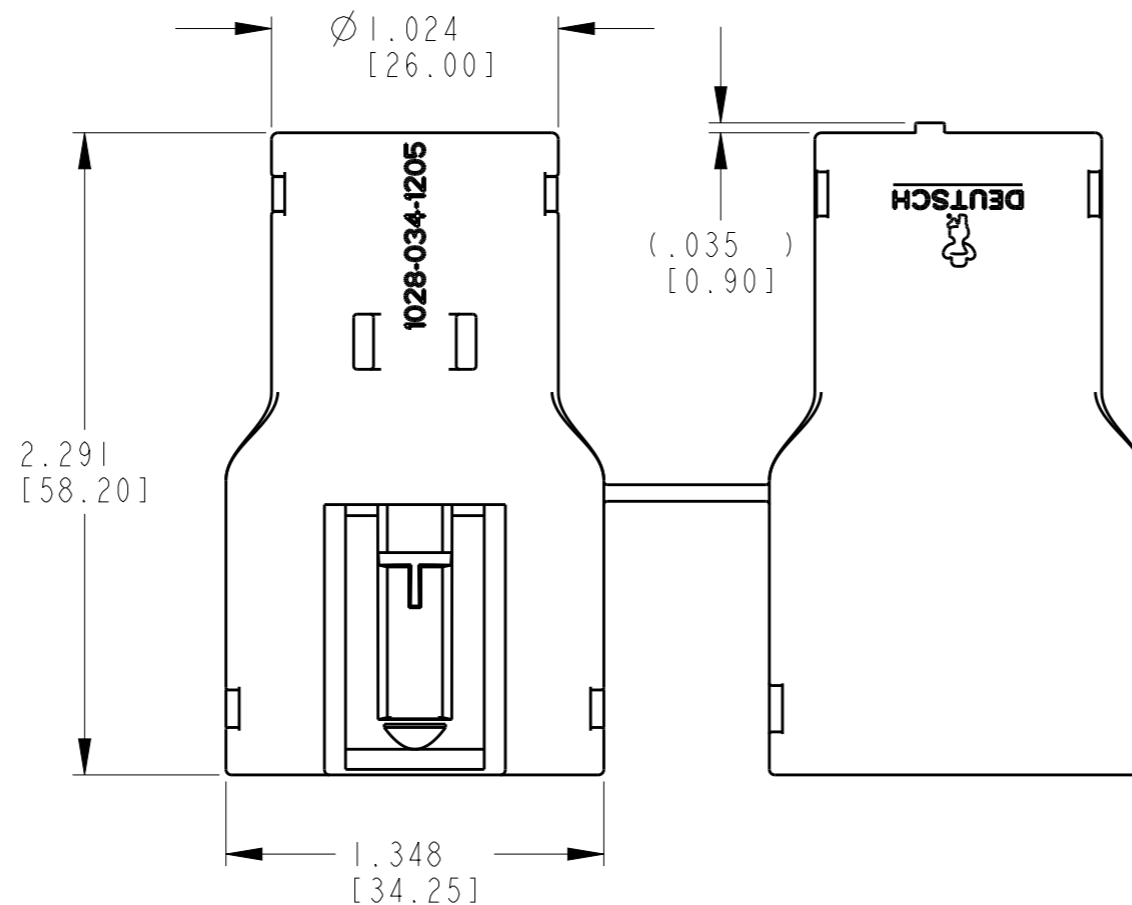
THIS DRAWING IS UNPUBLISHED
 © COPYRIGHT 2011 BY TE CONNECTIVITY ALL RIGHTS RESERVED.

RELEASED FOR PUBLICATION 2016

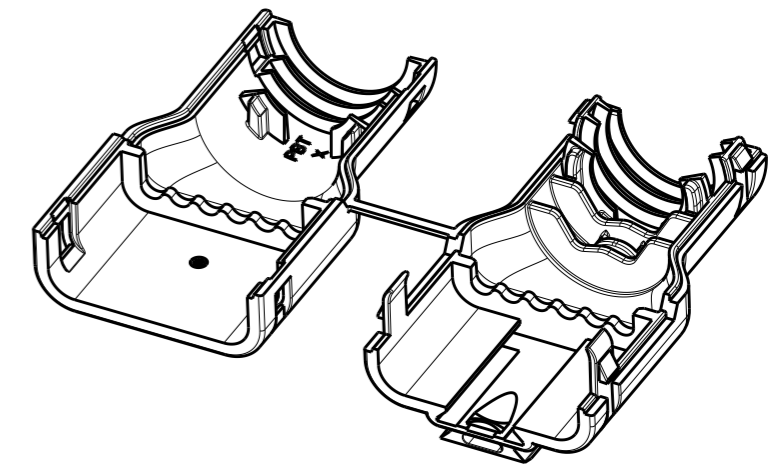
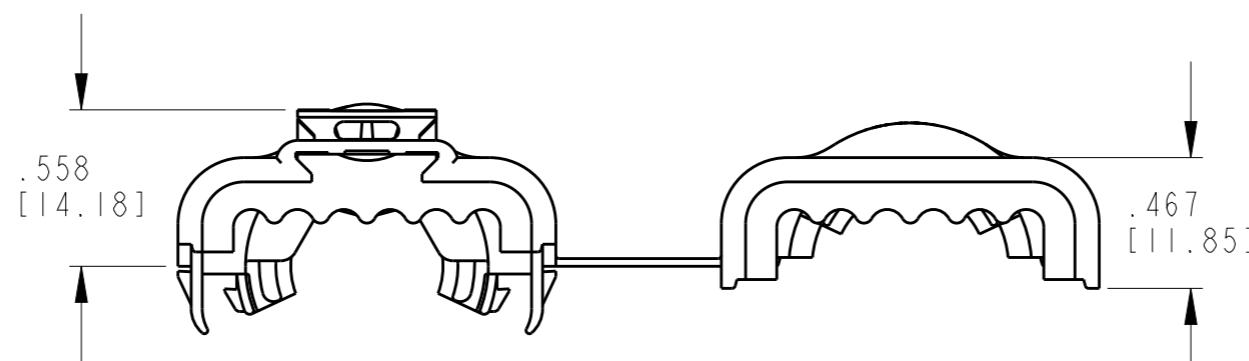
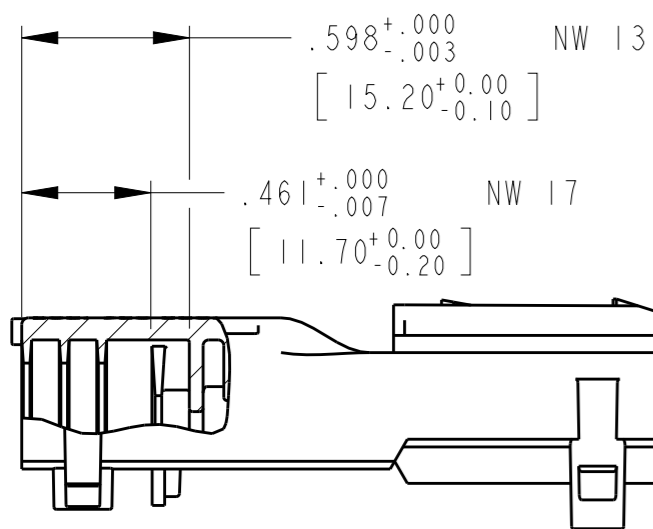
LOC DIST

REVISIONS

P	LTR	DESCRIPTION	DATE	DWN	APVD
G		REVISED/REDRAWN PER E.O. P20991	06MAY2016	AM	RDR
H		REVISED PER ECO-16-007352	13MAY2016	JA	DM



3D VIEW
CLOSED



3D VIEW
OPEN

TE INTERNAL PN	DEUTSCH PN
1028-034-1205	1028-034-1205

2 MATERIAL: PBT (BLACK).

1. THIS PART MATES WITH DTM06-12PX-XXXX RECEPTACLE WITH ANY MODIFICATION THAT DOES NOT INCLUDE AN END CAP. (X = KEY ARR. A,B,C,D; XXXX = MODIFICATION)

NOTES:

THIS DRAWING IS A CONTROLLED DOCUMENT.		DWN A. MALAGON 22JUN2011	TE Connectivity	
DIMENSIONS: in [mm]		CHK B. BYFORD 12SEP2011		
TOLERANCES UNLESS OTHERWISE SPECIFIED:		APVD S. BEARD 12SEP2011	NAME BACKSHELL, SWIVEL ADAPTER 12 PIN RECEPTACLE DTM SERIES	
0 PLC ± 1 PLC ± 2 PLC ± 3 PLC ±.025 [0.64] 4 PLC ± ANGLES ±0° 30' 0"		PRODUCT SPEC 108-151010	SIZE A3	
MATERIAL 2		FINISH	APPLICATION SPEC 0425-015-0000	CAGE CODE 4AFU8
			WEIGHT 14.60g	DRAWING NO 1028-034-1205
			CUSTOMER DRAWING	RESTRICTED TO -
			SCALE 3:2	SHEET 1 OF 1
				REV H