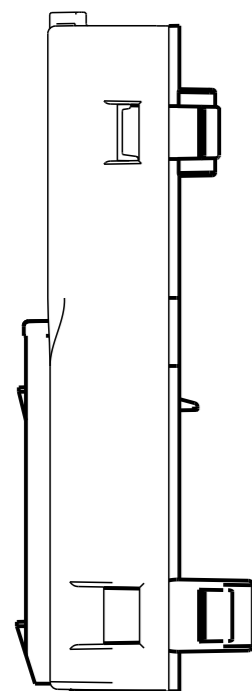
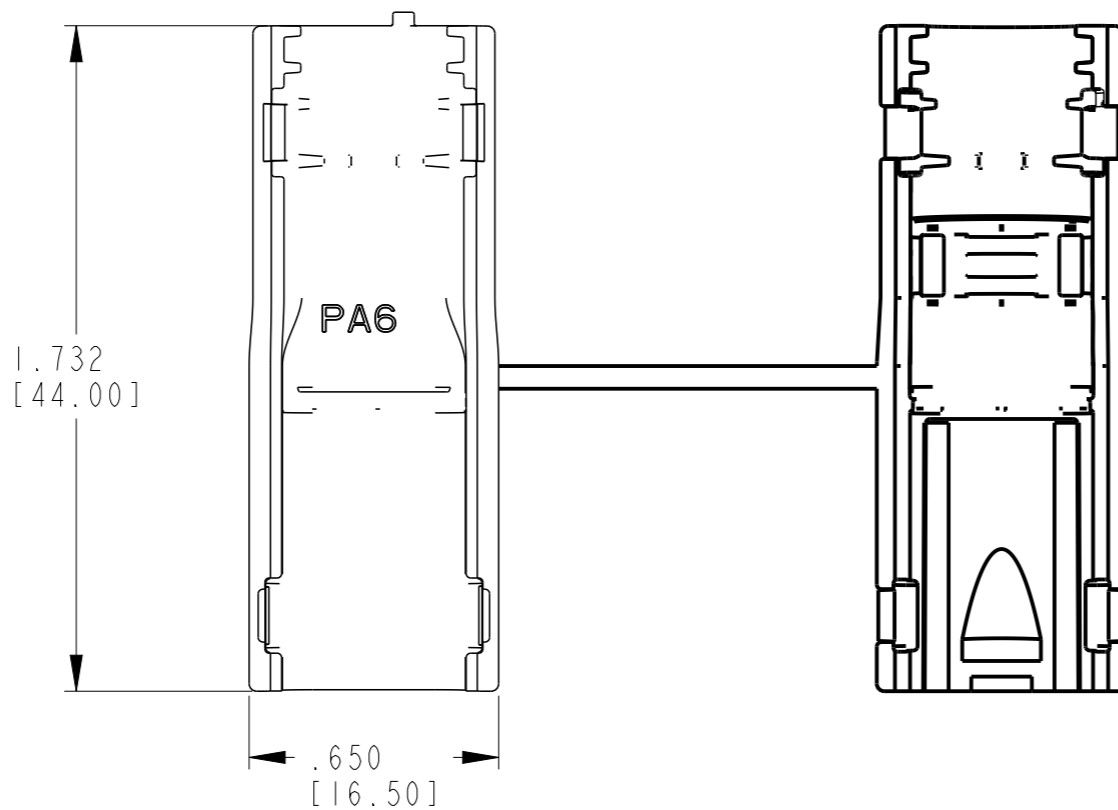
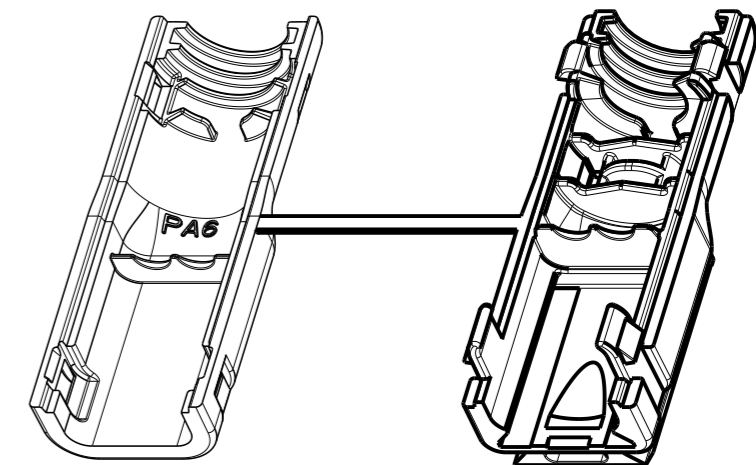
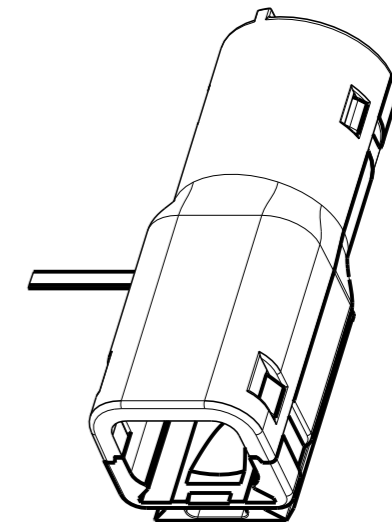


P	LTR	DESCRIPTION	DATE	DWN	APVD
	NC	NEW RELEASE PER E.O. P20243	21JUL2009	-	RDR
	A	REVISED PER E.O. P20523	21JUL2010	-	RDR
	B	REVISED PER PCN-23-175959	04MAY2023	MK	AW



④ MATERIAL: PA6, COLOR: BLACK.

- THIS PART ACCOMMODATES CORRUGATED TUBING SIZES 7.5 AND 8.5 mm.
- THIS PART MATES WITH DTM04-2P-****. (**** = MODIFICATION WITHOUT ENDCAP) CONSULT FACTORY FOR MODIFICATION.
- ALL DIMENSIONS ARE IN INCHES [MILLIMETERS] AND ARE $\pm .025[.63]$ UNLESS OTHERWISE SPECIFIED.

THIS DRAWING IS A CONTROLLED DOCUMENT.		DWN R. MESSENGER 10 JUN 2009		
DIMENSIONS: INCH [mm]		CHK B. BYFORD 21 JUL 2010		
TOLERANCES UNLESS OTHERWISE SPECIFIED:		APVD S. BEARD 19 JUL 2010	NAME STRAIGHT BACKSHELL 2 WAY RECEPTACLE DTM SERIES	
		PRODUCT SPEC -	RESTRICTED TO -	
MATERIAL ④		FINISH -	APPLICATION SPEC -	SIZE A3
		WEIGHT -	WEIGHT -	CAGE CODE 00779
		CUSTOMER DRAWING	DRAWING NO C-1028-021-0205	SCALE 1:1
				SHEET 1 OF 1
				REV B